



Display screen catalog



Contents

01/ LCD video wall series 03

02/ Digital signage series 17

03/ Interactive Smart Whiteboard 27

04/ Stretched Bar LCD 29

05/ OLED Series 31

06/ Certificates 35

07/ About Us 38

LCD video wall series



Product features



LG and BOE Industrial LCD panels are adopted



Modular design, easy installation and maintenance

0.44

Ultra narrow frame, minimum 0.44mm



Unique color calibration technology, color consistency tends to be perfect

178°

Visual angle up to 178°

7X24

Support 7x24 hours of uninterrupted work, with a service life of up to 60000 hours

Digital Signage Series-Product Specification

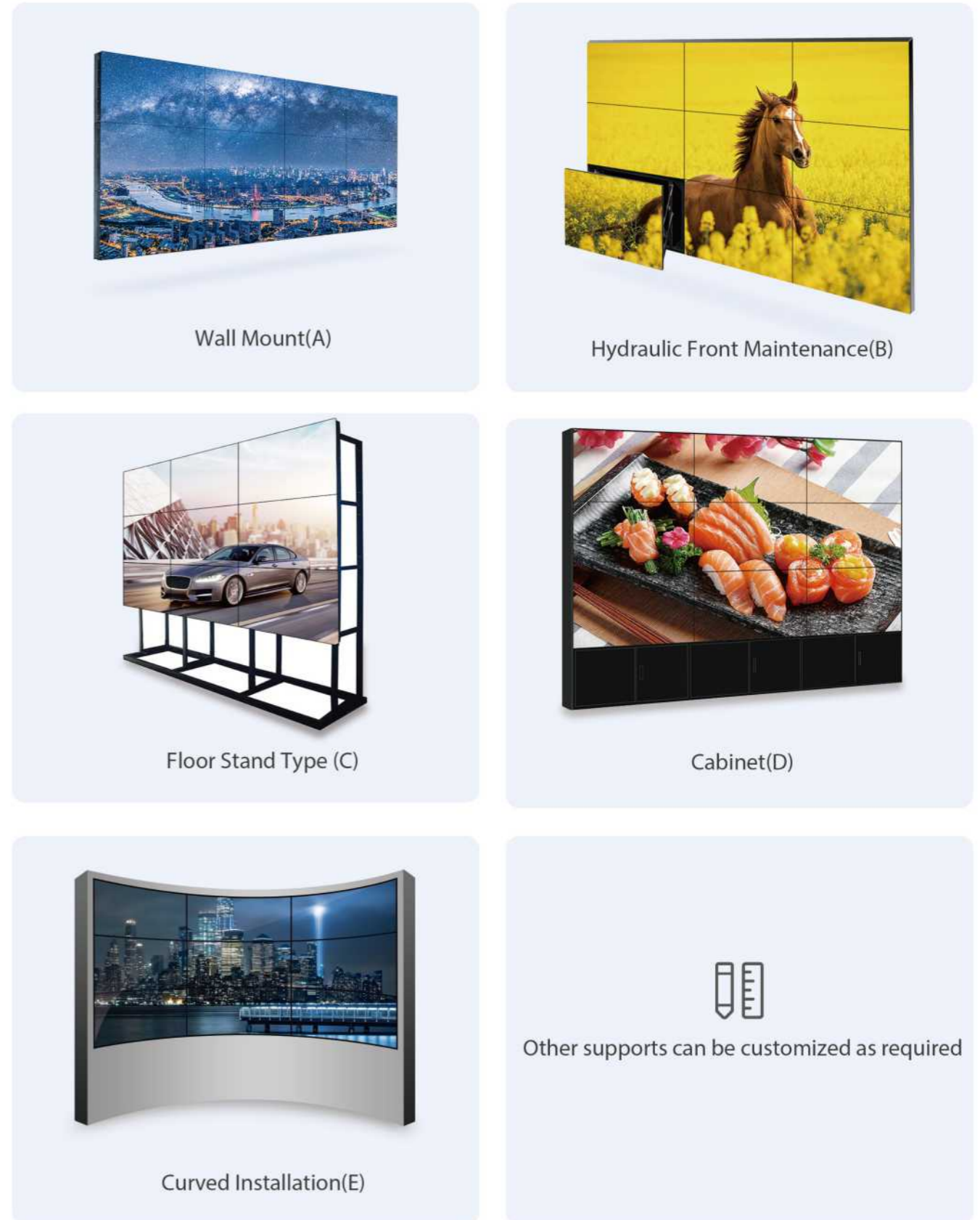


Screen size	Model	Splicing gap	Brightness	resolution	Product size
46"	46" 1920*1080	3.5mm	500cd/m ²	1920*1080	1021.98*576.57*116.7mm
	46" 1920*1080	1.7mm	500cd/m ²	1920*1080	1020.02*574.61*115.5mm
	46" 1920*1080	0.88mm	500cd/m ²	1920*1080	1019.86*574.35*110.8mm
	46" 1920*1080	0mm	500cd/m ²	1920*1080	1021.98*576.57*116.7mm
49"	49" 1920*1080	3.5mm	500cd/m ²	1920*1080	1077.58*607.8*111.47mm
	49" 1920*1080	0mm	500cd/m ²	1920*1080	1077.58*607.8*111.47mm
55"	55" 1920*1080	3.5mm	500cd/m ²	1920*1080	1213.7*684.5*116.49mm
	55" 1920*1080	1.8mm	500cd/m ²	1920*1080	1211.4*684.3*116.49mm
	55" 1920*1080	1.7mm	500cd/m ²	1920*1080	1211.3*682.1*116mm
	55" 1920*1080	0.88mm	500cd/m ²	1920*1080	1210.51*681.2*112mm
	55" 1920*1080	0mm	500cd/m ²	1920*1080	1213.7*684.5*116.49mm
65"	65" 3840*2160	3.5	500cd/m ²	3840*2160	1432.85*807.62*153.3mm

LCD video wall series-Product Details



LCD Video Wall Series-Installation Types

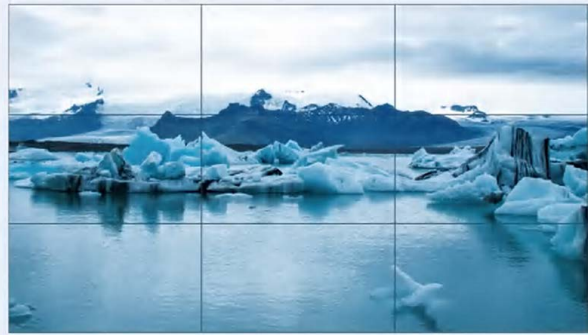


Digital Signage Series-Video Wall Processor

Video wall processor is a professional image processing and control equipment, which can output the input image to the display window of any position and size on the large screen.



Product function



Full screen display



Split screen display

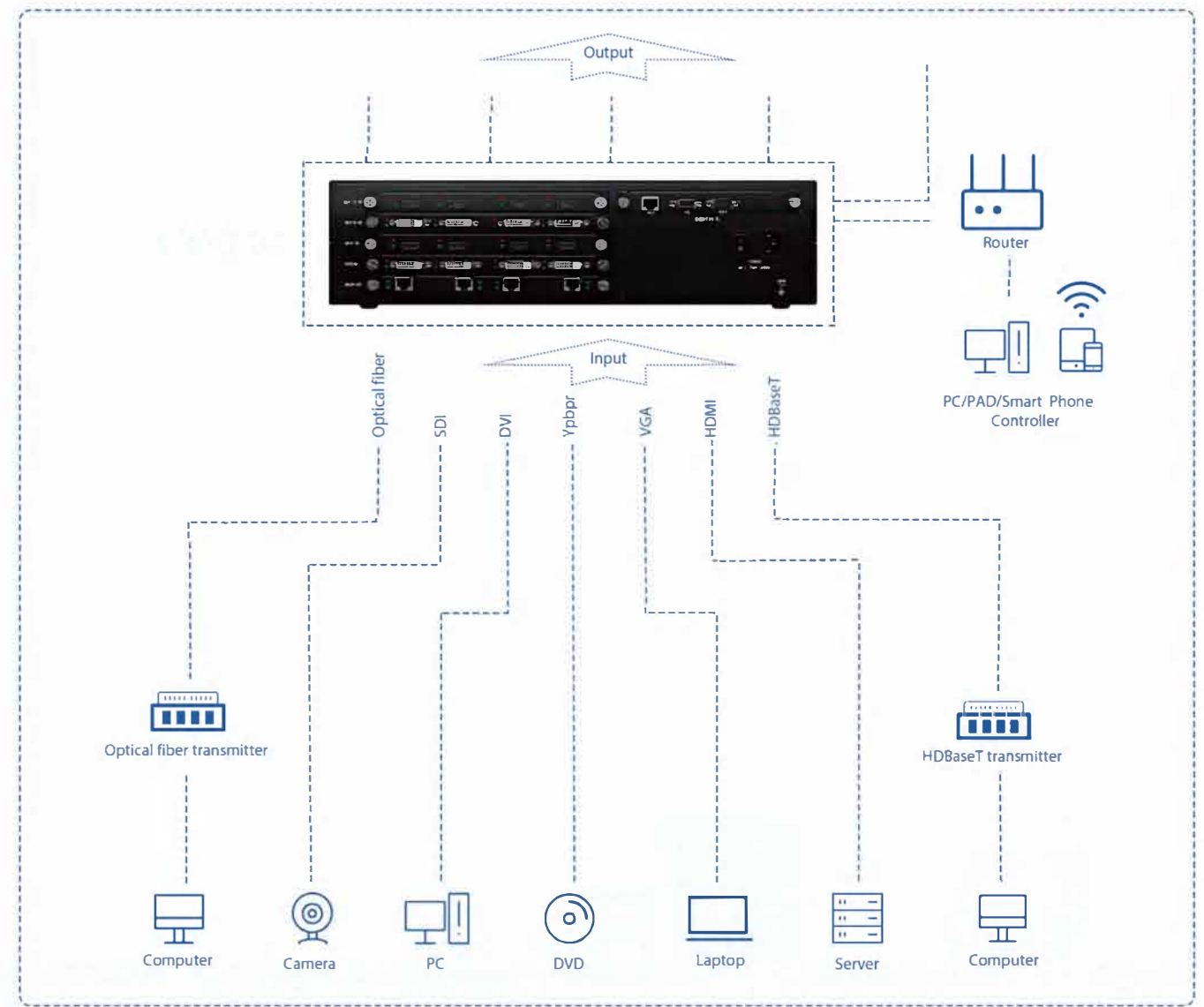
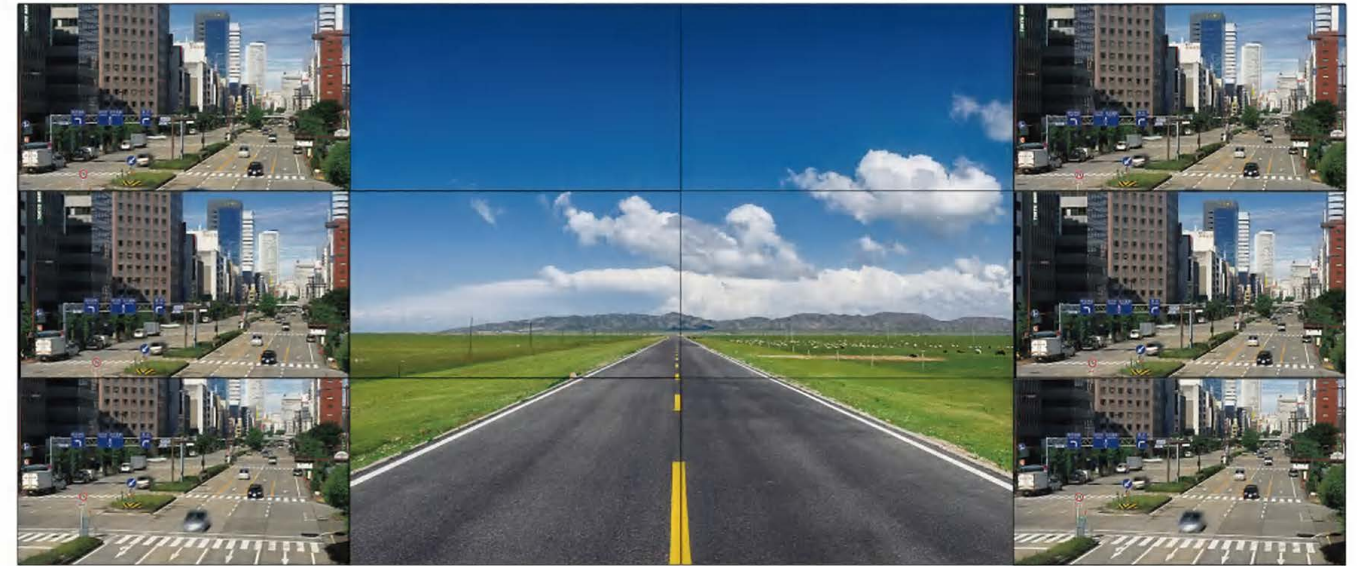


Overlay and Roaming display



Support wireless terminal control

Application schematic diagram



LCD video wall series-**Network cloud processor**



Network cloud processor is a decoding device mainly used for network monitoring decoding on the wall. It can connect the mainstream network camera to the LCD Video wall for display through ONVIF, RTSP, RTMP and other standard protocols.

Product features



Single screen can support 32 split display at most



Support camera and other external audio input and output



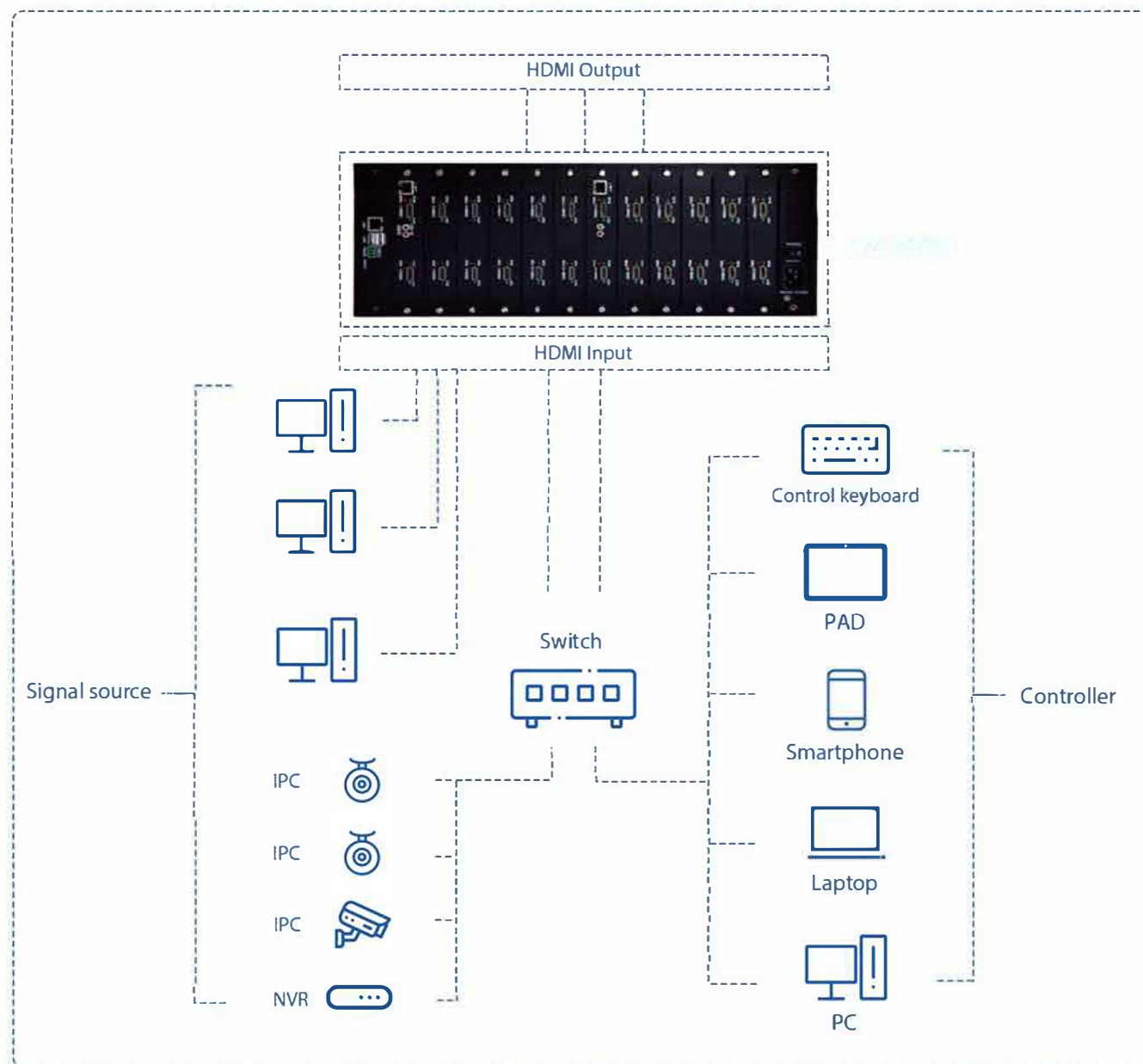
Support screen patrol, scene patrol



Support wireless terminal control

Support HIKVISION NVR video playback

APPLICATION SCHEMATIC DIAGRAM



LCD video wall series-Distributed visualization control system

Distributed visualization control system is composed of input and output nodes and supporting software. It is a visual management platform integrating image processing, multi screen management and environmental control.



Distributed node

Product features



Support 4K UHD signal input and output



Distributed design eliminates cumbersome cabling



Support lighting, sound, air conditioning and other environmental control

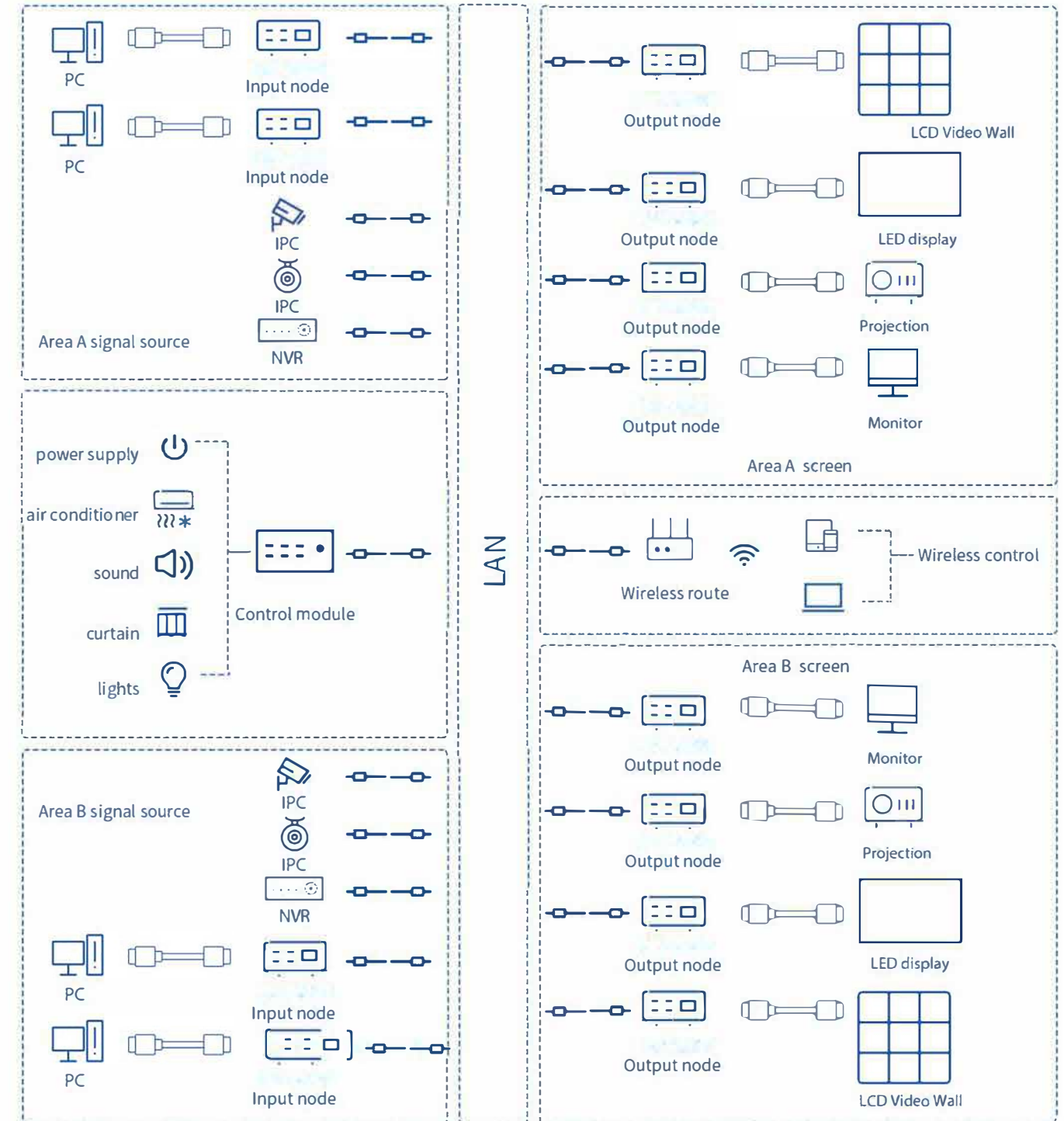


Visual control, WYSIWYG



Support muti screen centralized management

APPLICATION SCHEMATIC DIAGRAM



Network cable

HDMI cable

LCD video wall series-Multi application push processor



Multi application push processor can push multiple windows such as pictures, videos, browsers, office software and applications in a computer to LCD video wall display at the same time, saving the purchase cost of the compute.

Product function



A single computer can push up to 16 windows to the screen



The computer desktop can be displayed in the LCD video wall through LAN

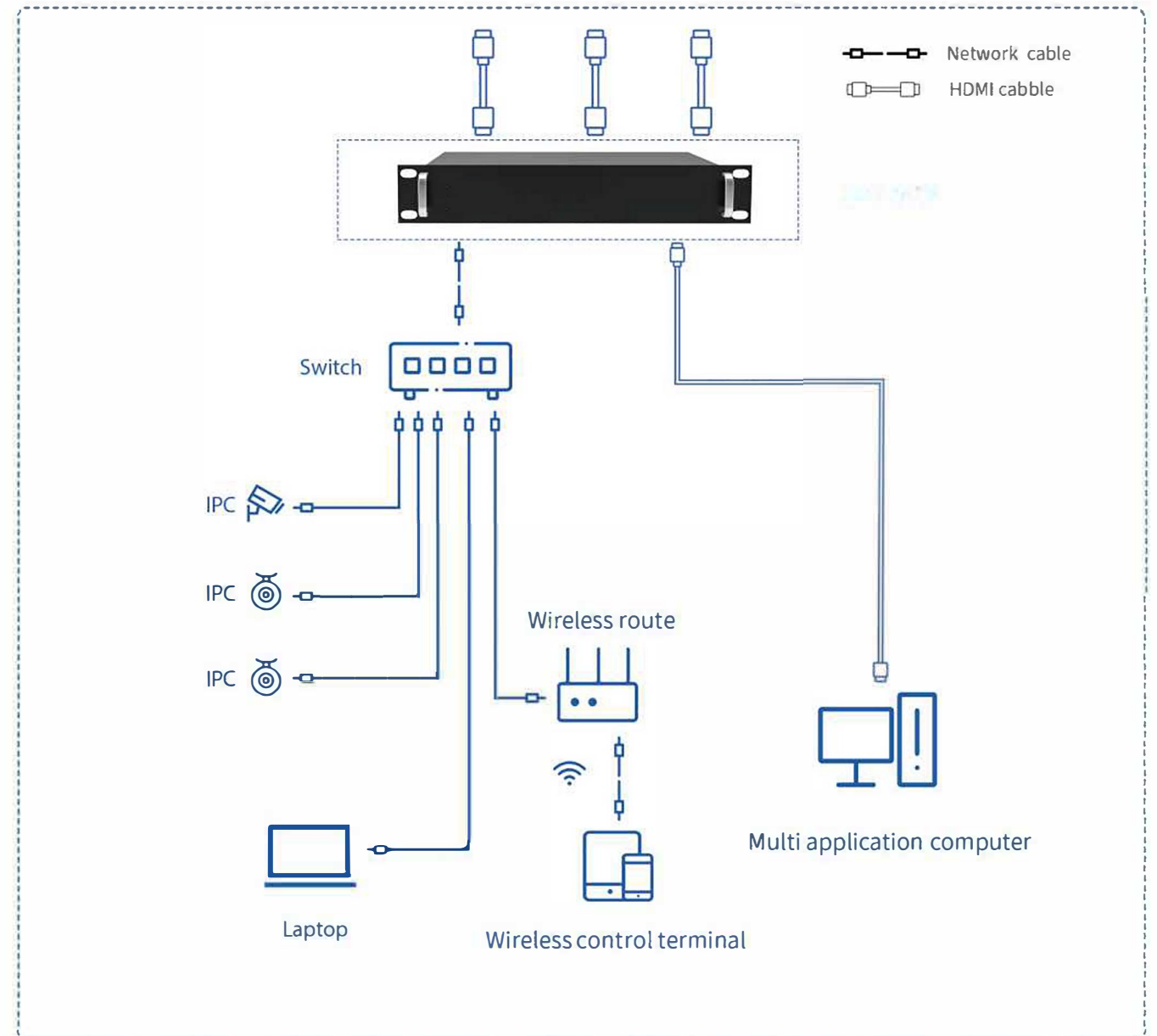


Multiple videos and pictures stored in the computer can be played circularly on the screen or on demand



Support webcam decoding

Application schematic diagram



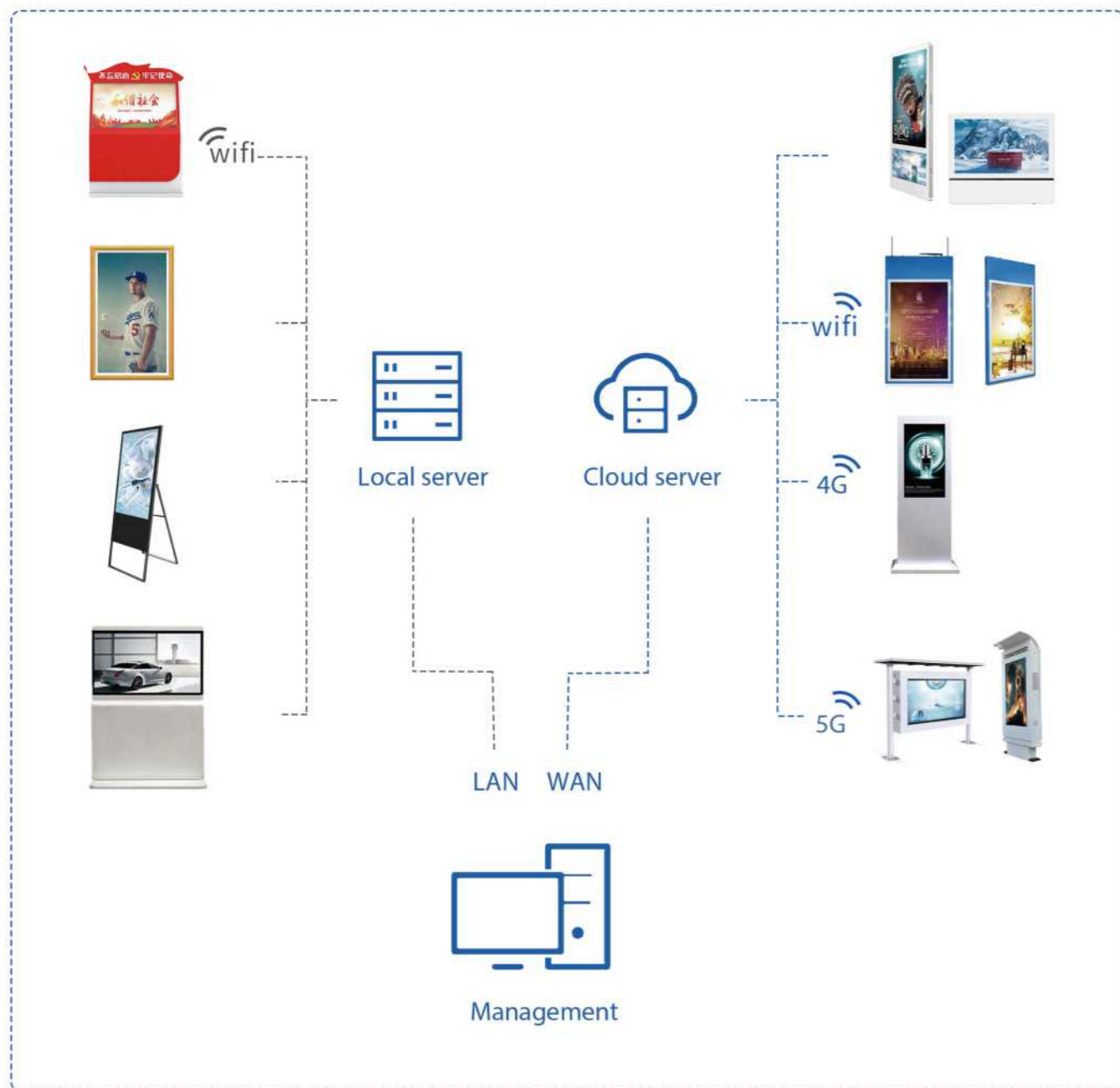
LCD video wall series-Application scenarios



Digital signage series

Digital signage is a new media. It is composed of management side, server, multimedia information publishing platform and playback side, which can accurately play multimedia information on the specified time period and the specified display device.

Application schematic diagram



Product function

- The player supports Android and windows systems
- Support horizontal and vertical screen playback
- Support split screen playback
- Built in speaker
- Support pictures, videos, text, weather, web pages and other materials
- The management side can take a screenshot to view the player side interface
- Support network publishing and USB import content
- Support multi role permission management
- Support multi role permission management
- Support timed playback and timed switch
- Optional touch panel to make interactive programs
- The server can be deployed locally or in the cloud

Digital Signage Series-Wall Mount LCD Advertising Player

- ✔ Aluminum profile frame
- ✔ Surface tempered glass
- ✔ Support horizontal and vertical
- ✔ Optional touch panel
- ✔ Size Options: 21.5" - 98"



Digital Signage Series-Floor Standing LCD Advertising Player

- ✔ Surface tempered glass
- ✔ Support Split Screen
- ✔ Optional Caster Wheels
- ✔ Optional touch panel
- ✔ Size Options: 43" - 65"



Panel Parameter										
Size	21.5"	23.6"	32"	43"	49"	55"	65"	75"	86"	98"
Model	LS-21.5	LS-23.6	LS-32	LS-43	LS-49	LS-55	LS-65	LS-75	LS-86	LS-98
Resolution	1920*1080	1920*1080	1920*1080	1920*1080	1920*1080	1920*1080	1920*1080	3840*2160	3840*2160	3840*2160
Brightness (cd/m ²)	250-300	250-300	300-350	300-350	300-350	300-350	300-350	300-350	300-350	300-350
Contrast	1200:1									
Viewing Angle	178°(V)/178°(H)									
Service Life	60000 (hrs)									
Operating system	Android/Windows									
Working Temperature	0°C~40°C									
Storage Temperature	-20°C ~ 75°C									
Display Area (mm)	476.5*268	522*294	698*391	940*529	1073*604	1209*680	1428*803	1649*927	1895*1065	2160*1215
Unit dimension (mm)	510*306.6*46	559*335*46	750*447*54	1002*596*65	1138*669*67	1280*757*71	1497*876*70	1733*1015*91	1952*1125*97	2225.8*1282.8*84

Panel Parameter				
Size	43"	49"	55"	65"
Model	LS-43	LS-49	LS-55	LS-65
Resolution	1080*1920/2160*3840			
Brightness (cd/m ²)	300-350			
Contrast	1200:1			
Viewing Angle	178°(V)/178°(H)			
Service Life	60000 (hrs)			
Operating system	Android/Windows			
Working Temperature	0°C ~ 40°C			
Storage Temperature	-20°C ~ 75°C			
Display Area (mm)	529.42*941.18	604*1073.8	680.4*1209.6	803.52*1428.48
Unit dimension (mm)	610*1804.82	674.2*1855.02	762*1904.83	881*2104.8

Digital Signage Series-Horizontal Touch Screen Kiosk



- Aluminum profile frame
- Surface tempered glass
- Optional IR/PCAP Touch Panel
- Size Options: 43" - 65"

Panel Parameter				
Size	43"	49"	55"	65"
Model	DS-K43	DS-K49	DS-K55	DS-K65
Resolution	1920*1080	1920*1080	1920*1080	1920*1080
Brightness (cd/m ²)	300-350	300-350	300-350	300-350
Contrast	1200:1			
Viewing Angle	178°(V)/178°(H)			
Service Life	60000 (hrs)			
Operating system	Android/Windows			
Working Temperature	0°C~40°C			
Storage Temperature	-20°C ~ 75°C			
Touch Method	IR touch			
Touch Life	10 touch points			
Response Time	<5ms			
Display Area (mm)	940*529	1073*604	1209*680	1428*803
Unit dimension (mm)	1005*600*72	1133*664*73	1275*752*76	1492*871*76
Pedestal	K shaped basement			

Digital Signage Series-Portable Digital Poster



- Foldable Design
- Optional Caster Wheels
- Optional touch panel
- Size Options: 32"/43"/49"/55"

Panel Parameter				
Size	32"	43"	49"	55"
Model	DS-P32	DS-P43	DS-P49	DS-P55
Resolution	1920*1080	1920*1080	1920*1080	1920*1080
Brightness (cd/m ²)	300-350	300-350	300-350	300-350
Contrast	1200:1			
Viewing Angle	178°(V)/178°(H)			
Service Life	60000 (hrs)			
Operating system	Android/Windows			
Working Temperature	0°C~40°C			
Storage Temperature	-20°C ~ 75°C			
Display Area (mm)	697*341	942*530	1073.8*604	1209.8*680.4
Unit dimension (mm)	1332*462*21	1750*592.8*21	1804*670*21	1895*747*21

Digital Signage Series- Celling Mount Double Side LCD Advertising Player

- ✔ Double sided display, Slim design
- ✔ Support to display different contents on both sides
- ✔ Support to display the same content on both sides
- ✔ Size Options:43"/49"/55"



Panel Parameter			
Size	43"	49"	55"
Model	DS43	DS49	DS55
Resolution	1920*1080	1920*1080	1920*1080
Brightness (cd/m ²)	Display A 350/Display B 700		
Contrast	1200:1		
Viewing Angle	178°(V)/178°(H)		
Service Life	60000 (hrs)		
Operating system	Android/Windows		
Working Temperature	0°C~40°C		
Storage Temperature	-20°C ~ 75°C		
Display mode	Synchronous Display/asynchronous display		
Installation Way	Hanging		
Display Area (mm)	940*529	1073*604	1209*680
Unit dimension (mm)	1207.4*585	1340*659.6	1475.5*736

Digital Signage Series-Elevator LCD Advertising Player

- ✔ Support horizontal and vertical
- ✔ Slim design
- ✔ Optional touch panel
- ✔ Size Options:18.5"-23.6"



Panel Parameter				
Size	18.5"	21.5"	23.6"	
Model	ES18.5	ES21.5	ES23.6	
Resolution	1280*1024	1920*1080	1920*1080	
Brightness (cd/m ²)	200-250			
Contrast	1000:1			
Viewing Angle	178°(V)/178°(H)			
Service Life	60000(hrs)			
Operating system	Android / windows			
Working Temperature	0°C ~ 40°C			
Storage Temperature	-20°C ~ 75°C			
Display mode	Support horizontal and vertical display mode			
Installation Way	Wall mounted			
Display Area (mm)	408.2*255.4	470.2*260.2	527*296.5	
Unit dimension (mm)	horizontal	458*430*25	520.4*440.3*25	576.6*454.6*25
	vertical	280*635*25	326*695*25	346*741.6*25

Digital Signage Series-Outdoor LCD Advertising Player



- ✔ Waterproof and dust proof
- ✔ Surface tempered glass
- ✔ Automatic brightness adjustment
- ✔ Size Options: 32"-98"

Panel Parameter							
Size	32"	43"	55"	65"	75"	86"	98"
Model							
Type	BOE/LG						
Aspect Ratio	16:09						
Backlight Type	LED backlight modular + constant current drive unit						
Resolution	1080*1920/2160*3840						
Quantity of Colors	16.7M						
Brightness(cd/m ²)	2000-3000						
Contrast	Brightness reaches 2000cd/m ² . Meets the clear image display under strong direct sunlight environment						
Viewing Angle	178°(H) / 178°(V)						
Response Time	5ms						
Color system	PAL/NTSC/SECAM						
Service Life	60000 Hours						
Cooling System with smart fan	Automatically adjust the air volume according to the temperature.(EBM centrifugal fan cooling)						
Heater(1000W)	Start heating at 0°C and stop heating at 5°C						
Maximum Input Power(W)	AC 100W						
Operating Temperature	-35°C-----+55°C						
Noise Level Db(A)	<55dB						
Water Proof Level	IP65						
Service Life	50000H						
MTBF	40000H						
Working Temperature	-35°C~55°C						
Storage Temperature	-35°C~60°C						

Digital signage series -Other styles



Customized Series



Wooden frame series

Mirror series

Transparent cabinet series

Touch table series

Interactive Smart Whiteboard



Product features

This series is a conference and teaching all-in-one machine. The narrow side sandblasted and oxidized front frame, ultra-narrow design which provide perfect visual effects. The surface of aluminum alloy frame is sandblasted and oxidized. The iron case back cover can actively dissipate heat. High-speed 10-30 point infrared touch, faster writing speed, best writing experience. The front remote control window is convenient for users to use the remote control to operate, set and debug the product.

Applications



Education Advertisement

Broadcasting promotional videos in campus areas, training institutions, etc.



Business presentation

TV studios, large-scale performances and commercial exhibitions, hotel lobbies, enterprises and institutions



Public Places

Exhibition places in the transportation industry, libraries, museums, zoos, shopping malls, etc.



Governmental Entities

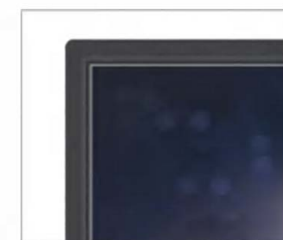
Convenient publicity, work guide, open government affairs, etc.

- 4MM physical toughened explosion-proof high-transparent glass to enhance the visual effect and the touch experience
- Use international standard OPS slot, easy to upgrade and maintain, beautiful shape
- Support touch menu, any channel writing, annotation, and screenshot function; You can also turn on the child lock function by blocking the button function
- The Android motherboard and PC have built-in WIFI modules respectively, which is convenient for users to perform wireless transmission and network operations through WIFI
- The front 7-key function buttons are: power, menu, volume+, volume-, V+, V-, signal source. Convenient for customers to operate



	Panel Size	55"	65"	75"	86"	98"
Panel Parameter	Model					
	Resolution			3840*2160		
	Display Size	1209.6*680.4mm	1428.5* 803.5mm	1650*928mm	1895*1066mm	2161* 1220mm
	Brightness	400cd/m2	400cd/m2	400cd/m2	400cd/m2	400cd/m2
	Power	<220W	<260W	<260W	<450W	<650W
	Contrast			1400: 1		
	Display Scale			16:9		
	ColorGamut			68% NTSC		
	Operating Temperature			0°C-45°C		
	Humidity			10% - 80%		
	Touch Technology			Non-contact infrared sensor		
	Viewing Angle			89/89/89/89		
	Accuracy			2mm		
	Effectively identify size			6mm		
	Host Configuration	System Version			Android 6.0	
Processor				ARM A53 quad core		
Running Memory				2GB		
System Memory				16GB		
Communication Method				USB free drive		
Input Voltage				AC 90V-264V 60/50Hz		
Standby Power				<1W		
Built-in Speaker				8Ω10W*2		
Wireless Module				Optional 2.4G, 5G, Bluetooth 3in1 module		
OPS configuration			Optional on demand			

Product Details



Stretched Bar LCD



Product features

The stretched bar screens use imported aluminum substrate, and the ability to absorb and dissipate heat with great efficiency minimizes the light attenuation of the LED lamp. The influence of the heat of the backlight on the liquid crystal substrate is minimized, and the effect of energy saving, long life, and lighter and thinner products is achieved. With ultra-high dynamic contrast, the color display is more saturated and gorgeous, the visual effect is more three-dimensional and lifelike. Ultra-fast response, unique black frame insertion and backlight scanning technology enhance the visual performance under dynamic pictures.

Applications



Traffic guidance system

Dynamic display, convenient content update and maintenance, lower cost.



Smart Shelf System

Product display is more vivid and increase purchase rate.



Queuing System

Personalized multimedia display, enhance image



ParkingLot Guidance System

Real-time parking space display improves the utilization rate of the venue and makes parking more convenient.

- > 7mm high-transparent explosion-proof tempered glass, as hard as a diamond
- > Military-grade switching power supply, wide voltage input, high temperature resistance, stable and reliable.
- > The body is made of cold-rolled steel, car baking finish, anti-rust and anti-static, beautiful and generous
- > Using LG, BOE and other first-line brand original LCD glass. The height can be cut and customized on demand
- > System configuration, touch screen, and supporting software can be purchased on demand, flexible matching



Panel Parameter											
Panel Size	Model	Resolution	Contrast	Display scale	Brightness	Power	Color gamut	Viewing angle	RAM	Operating temperature	Built-in storage
19.5"		1920*540	1000:1	32:9	500cd/m ²	<30W	68% NTSC	89/89/89/89	2G 可选4G	0°C - 45°C	8G (可选16G/32G)
24"		1920*360	1000:1	16:3	500cd/m ²	<40W					
28.6"		1920*540	1100:1	32:9	500cd/m ²	<55W					
28"		1920*360	1000:1	16:3	500cd/m ²	<45W					
35.1"		1920*540	1000:1	32:9	500cd/m ²	<75W					
36.8"		1920*360	1000:1	16:3	500cd/m ²	<75W					
37.6"		1920*540	1000:1	16:3	500cd/m ²	<80W					
37"		1920*360	1000:1	32:9	700cd/m ²	<75W					
43.9"		1920*540	1200:1	32:9	500cd/m ²	<80W					
43"		1920*360	1200:1	16:3	500cd/m ²	<80W					
48.8"		1920*360	1200:1	16:3	500cd/m ²	<90W					
49.5"		1920*540	1400:1	32:9	500cd/m ²	<90W					
60"		1920*1440	1100:1	8:3	500cd/m ²	<140W					
68.2"		1920*1250	1100:1	3:1	500cd/m ²	<150W					
69.3"		1920*1440	1100:1	8:3	500cd/m ²	<160W					
88"		1920*1080	1100:1	32:9	700cd/m ²	<180W					

	Infrared touch (optional)	Capacitive touch (optional)
Touch technology	Non-contact infrared sensor	(G+F) Projected capacitor
Resolution	4096*4096	4096*4096
Accuracy	2mm	1.5mm
Effectively identify size	6mm	1mm
Multi-point support	10点	10点
Communication method	USB free drive	USB free drive

Product Details



OLED-Transparent Series



Product features

Transparent OLED provides a new way of visual communication, opening up a new creative world that traditional digital displays cannot provide. Provide space efficiency through transparency and coordination. Use transparency itself as an attraction to attract attention, cover expected information, and realize it in reality.

Applications

Retail

Showroom, indoor store, restaurant

Public transit

Subway, airport, financial center, museum, weather station, sea world, hotel

Company

Broadcasting, entertainment, exhibition, information, construction

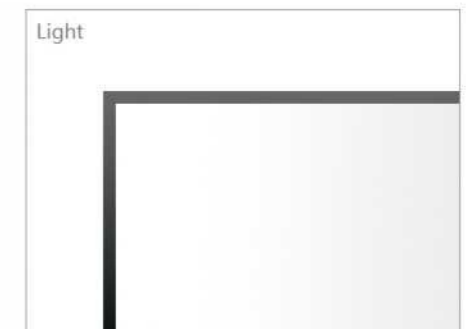
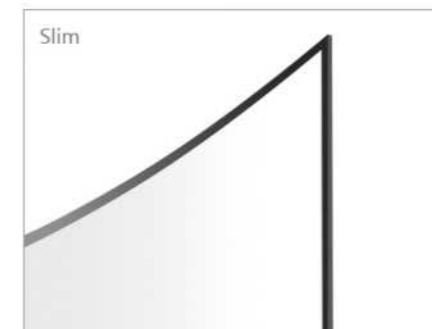


- OLED has 38% transparency, while traditional LCD displays have only 10% transparency
- Self-luminous OLED technology provides a slim and stylish design, which can be used in separate/spliced designs
- Vertical, horizontal and ceiling installation are all possible, combining with space to become a real immersive screen
- Through appropriate light effects, transparent OLEDs can produce AR/VR effects, and ambient light affects perceived transparency
- Accurate color expression of input signal
- OLED technology provides accurate and stable colors
- Wider viewing angle, faster response time



Product Information	
Size	55"
Panel type	TFT-LCD
Resolution	1920*1080
Brightness	400/150 nit (APL 25%/100%)
Colour number	16.7M
Frame	7.9 / 7.9 / 7.9 / 121.7 (mm, Set, T/L/R/B)
Depth	6.64mm(/w cabinet) 4.89mm(active area)
Transparency	38% (Panel)
Weight	Display : 12.6 Kg (Glass 7Kg, Panel 3.1Kg, etc 2.5Kg) Signage Box : 3.2 Kg
Interface	HDMI(1), DP In/Out(1), IR In(1) RJ45 In/Out(1), USB(2) RS232C In/Out(1), Audio Out(1) Internal Memory(64GB), FFC Cable(1.6 meter)

Product Details



OLED Flexible Series



Product features

OLED does not require a backlight, and uses very thin organic material coatings and glass substrates (or flexible organic substrates). When current passes through, these organic materials will emit light. Moreover, the OLED display screen can be made lighter and thinner, with a larger viewing angle, and can significantly save power consumption. Wide viewing angle, 1 billion colors, self-luminous pixels restore colors with extremely high accuracy. In the past, LCD Display was 3mm thick, while OLED was only 1.03mm.

Applications

Retail

Showroom, indoor store, restaurant

Public transit

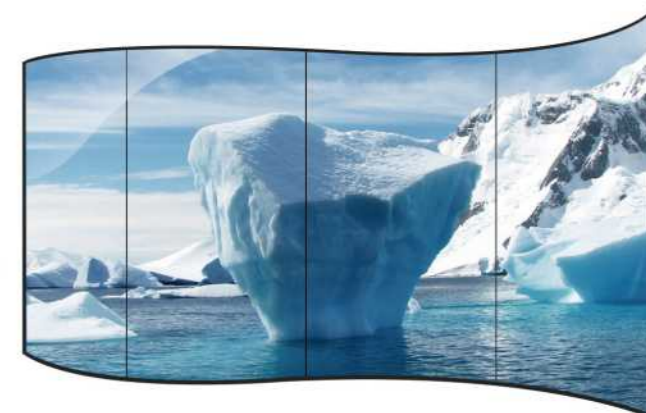
Subway, airport, financial center, museum, weather station, sea world, hotel

Company

Broadcasting, entertainment, exhibition, information, construction



- > Ultra-thin and ultra-light, single screen thickness 1.03mm
- > Ultra-high image quality, pure black, precise, stable color
- > Flexible design, supported curvature: up to 1000R (concave/convex)
- > No need for external lighting such as backlight, using self-luminous pixels
- > Flexible glass, improve safety, no need to worry about deformation and damage to the panel
- > Ultra-thin, ultra-light, higher luminous efficiency, low energy consumption, ecological and environmental protection
- > Wider viewing angle, faster response time



Product Information	
Size	55"
Proportion	16:9
Resolution	1920*1080
Brightness	140/450nit (APL 100%/25%)
Color Gamut	108%
Viewing angle	178°
Running time	18*7 hours (only dynamic picture)
Contrast	150000:1
Curvature	1000R-2000R Horizontal, 1000R1500R Upright
Life span	3000 hours
Frame	3.9mm
Power supply	100-240V~, 50/60Hz
Standby power	1W
Operating temperature	5°C~45°C
Operating Humidity	30%~80%
Altitude	0-5000米 0-5000 meters
Port	HDMI(1),VGA(1)DVI(1) DP In/Out(1), IR In(1), USB(1) RS232C In/Out(1),

Product Details

