



 **GPS** Group
MONACO
Kitchen Catalog





Size: 900*520MM

Material: Ceramic glass + steel

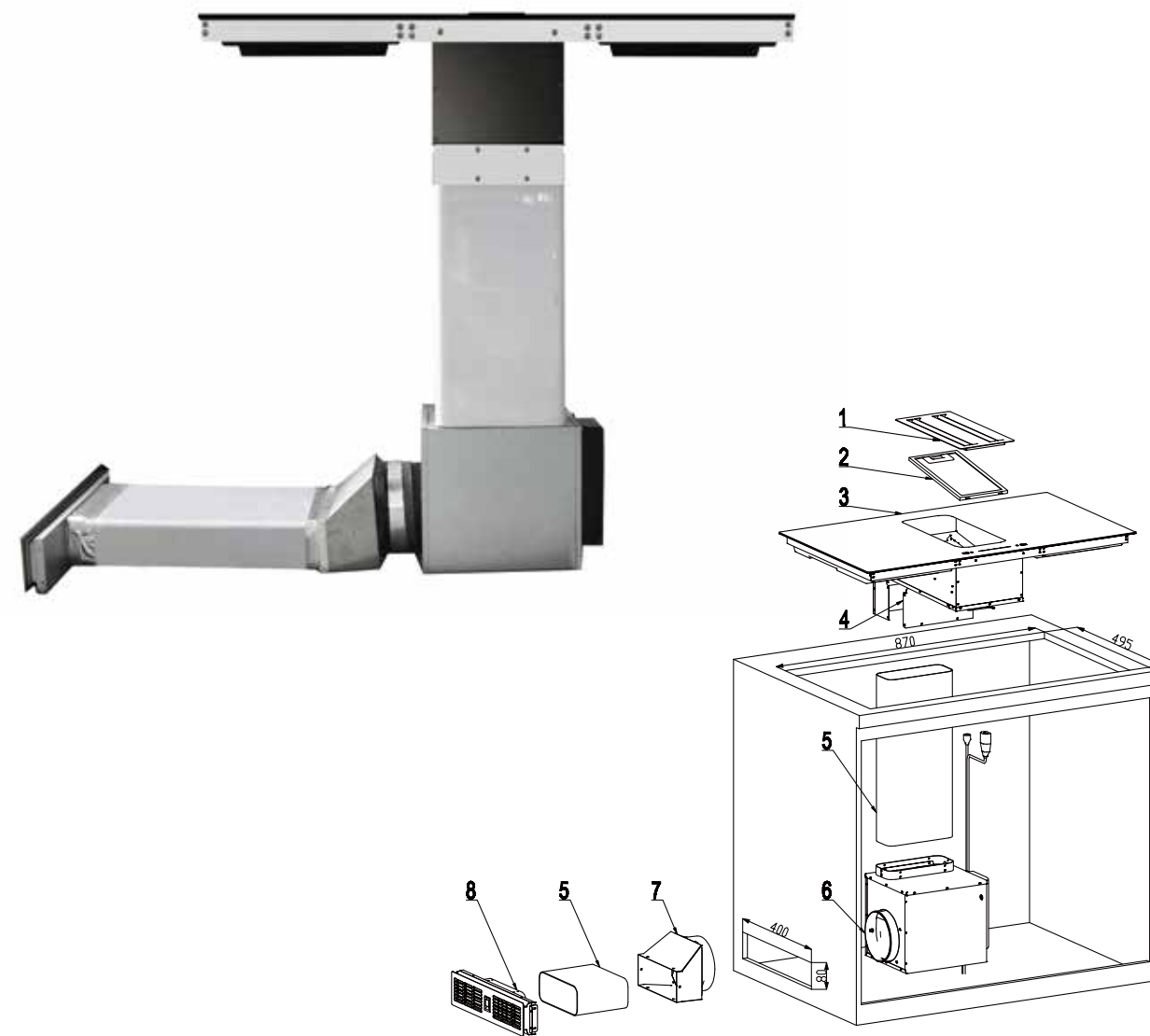
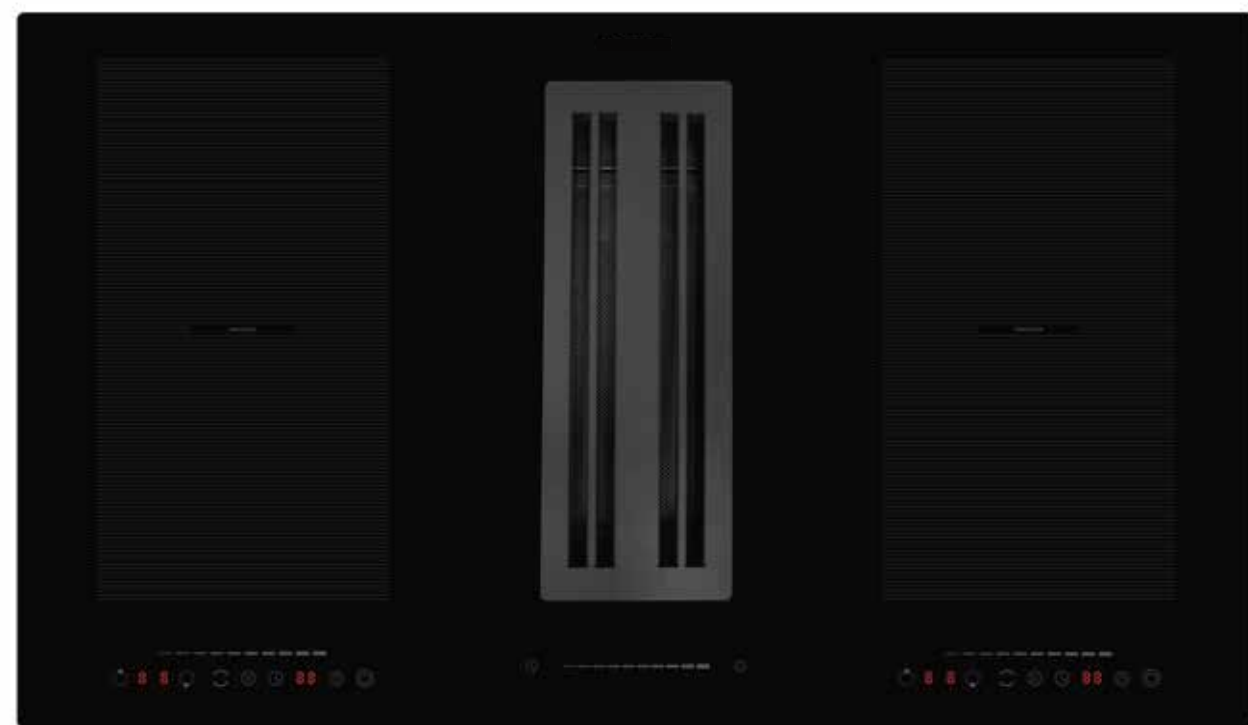
Hood Power: 120W DC motor

Hob Power: 7000W

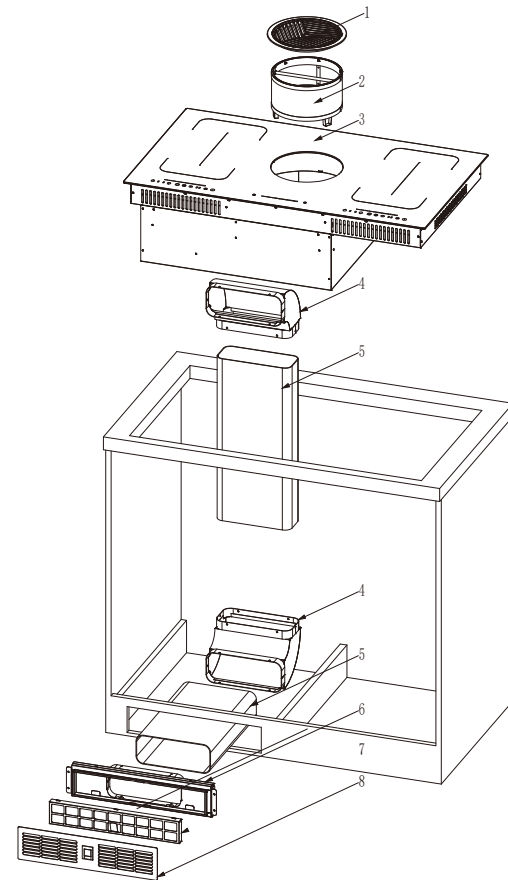
Rear left /Rear right zone Power/Size: 2000W / 180mm

Front left /Front right zone Power/Size: 1500W / 180mm

Flex zone Power/Size: 3000W/200*370mm



Integrated hood and hob



Size: 800 / 900 * 520MM

Material: Ceramic glass + steel

Hood Power: 120W DC motor

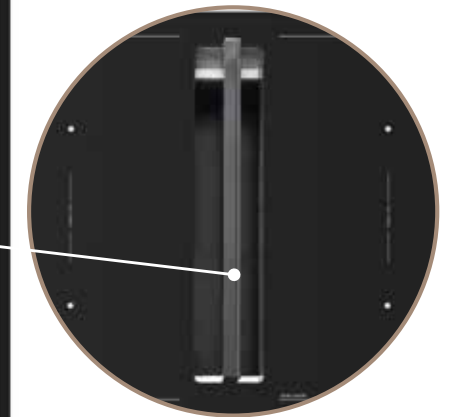
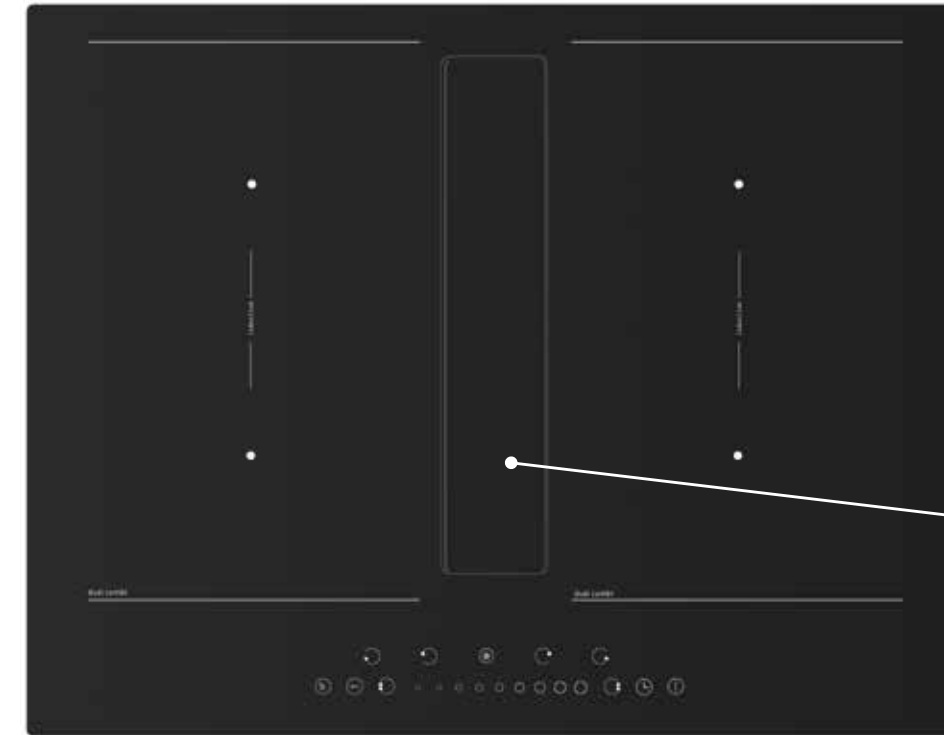
Hob Power: 7000W

Rear left /Rear right zone Power/Size: 2000W / 180mm

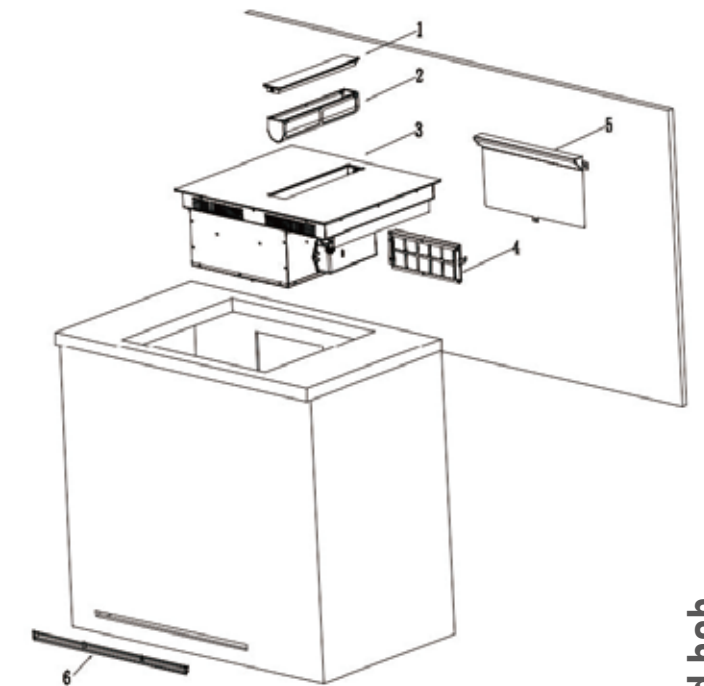
Front left /Front right zone Power/Size: 1500W / 180mm

Flex zone Power/Size: 3000W/200*370mm

Advantage: Hood and hob in one, easy for installation and Space saving



PANEL OPEN



Size: 600 / 720 / 770 / 900 * 520MM

Material: Ceramic glass + steel

Hood Power: 120W DC motor

Hob Power: 7000W

Rear left/ right zone: 1800 W, **Booster:** 2100 W, **Plate size:** 190 mm

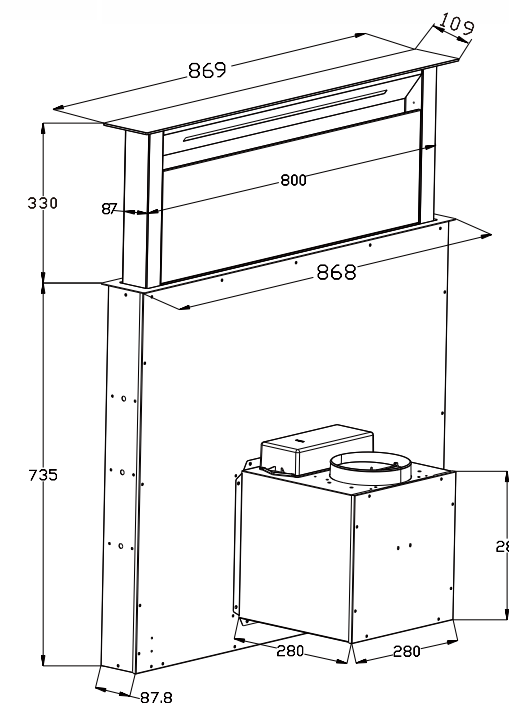
Front left/right zone: 1800 W, **Booster,Plate size:** 190 mm

Flexible zone: 3000W, **booster:** 3600 W, 210*390 mm

Advantage: Duct free

Easy for installation and save most of your cabinet space.

Integrated hood and hob



Size: 600 / 720 - 770 / 900 MM

Color: Black/White/Silver

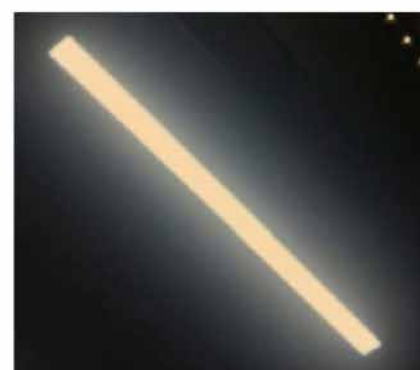
Hood Power: 120W DC motor /
340W AC motor

Lighting: LED strip

Working mode: Exhaust or recirculation

Optional: Flat motor system

Advantage: Anti finger clap protection, Solid piston;
Easy access Carbon filter system



Lighting temperature adjustable 2700k

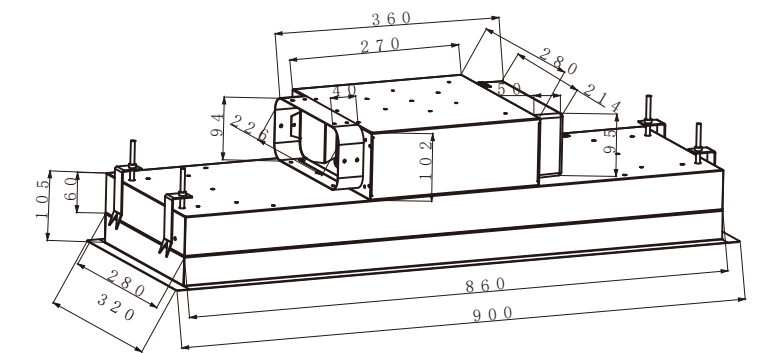
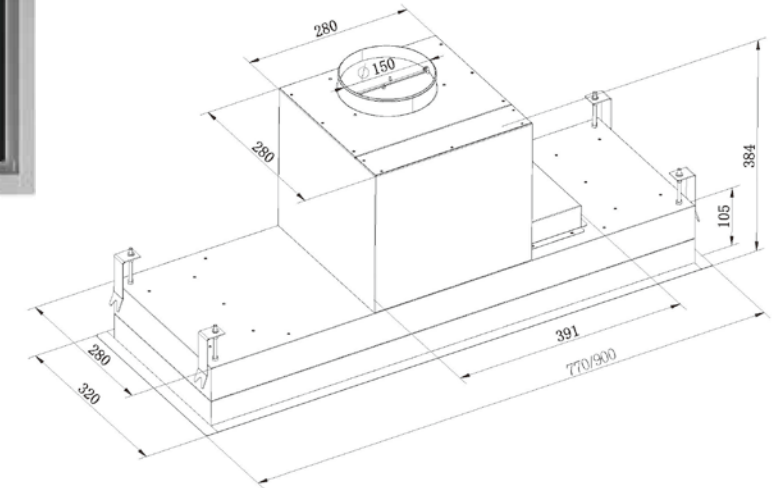


Lighting temperature adjustable 4200k



Lighting temperature adjustable 6500k

Downdraft hood



Size: 770/900/1100/1200MM

(Lateral or Flat motor system optional)

Color: Black/White/Silver

Hood Power: 120W DC motor /340W AC motor

Lighting: LED strip

Working mode: Exhaust or recirculation

Optional: Flat motor system

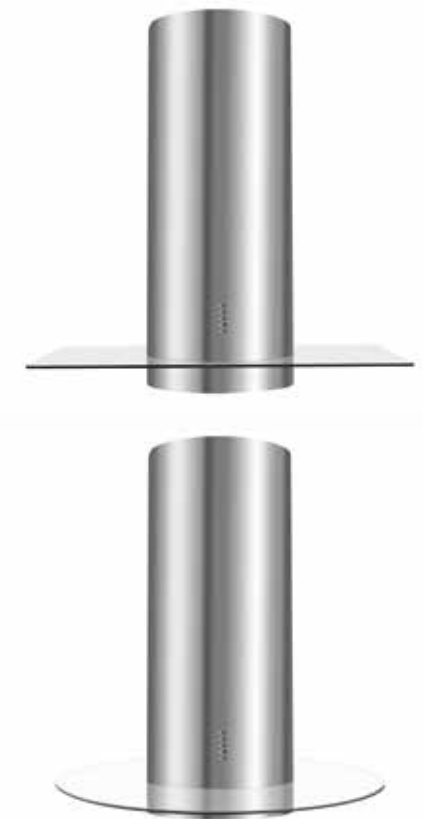
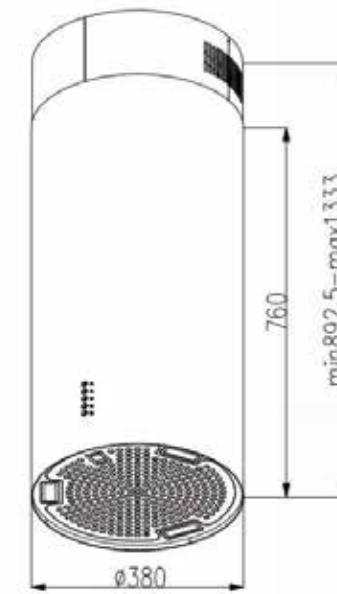
Advantage: Anti finger clap protection, Solid piston;
Easy access Carbon filter system



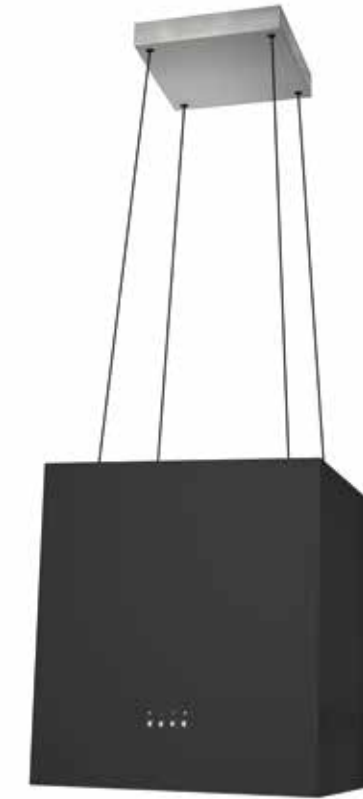
ceiling hood



Size: 900 *600*600-1300MM (Extensible height)
Color: Black/Silver
Hood Power: 190W AC / 340W AC motor
Lighting: 4 round LED or 2 LED strip
Filters: 5-layer Alum or Baffle filters (perimeter cover optional)



Size: 40*600-1300MM (Extensible height)
Color: Black/White/Silver
Hood Power: 190W AC /250W/ 340W AC motor
Lighting: LED lamps
Filters: 5-layer Alum or Alum filters with SS cover



Island hood

Size: 1500-1800MM wide
Color: Black/White/Silver
Hood Power: 190W AC /250W/ 340W AC motor
Lighting: LED lamps
Filters: 5-layer Alum with Perimeter cover

Size: 380/400/600/900MM
Color: Black/White/Silver
Hood Power: 250W AC motor or
 120W DC motor
Control: Soft push or Touch + remote
Lighting: LED strip or LED panel
Advantage: Duct free
Optional: Smart Wi-Fi control

Lamp Hood



Width: 600/700/900/1200MM
Depth: 355/450/500MM
Panel height: 40/60/80MM
Color: Black painted/430SS/Black Polish steel
Hood Power: 190W/250W/340W AC motor;
 70W/120W DC motor
Control: Mechanical push button / touch control/
 Slide controStainless steel control/Clear touch
Lighting: Round or Strip LED
Filters: 5-layer Alum filters or Baffle filters
Optional: Wall mounted or Island
More features: Bottom perimeter; Hand wave control,
 Smart sensor. Customized control panel available.

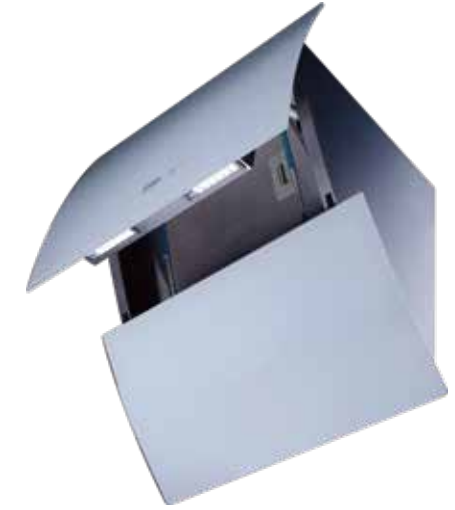


Size: 600/700/900MM
Panel height: 20/30/70MM
Color: Black painted/430SS
Hood Power: 65W/190W/250W/340W AC motor
Control: Mechanical push button / touch control
Lighting: Round LED
Filters: 5-layer Alum filters or Baffle filters
Optional: Wall mounted or Island



Width: 600/700/900MM
Color: Black painted/430SS
Hood Power: 190W/250W/340W AC motor
Control: Mechanical push button / touch control/
Handwave control Lighting: Round LED
Filters: 5-layer Alum filters or Alum filter with
 SS cover or Baffle filters
Optional: Wall mounted or Island / Back ground lighting

Wall mounted hood



Width: 600/700/800/900MM

Motor: 190W/250W AC motor (Energy class B/A);
70W/120W DC motor (Energy class A+, A++)

Color: Black / White/430SS

Control: Touch control with hand wave sensor

Lighting: 2*1.5W Led (RGB lights optional)

Advantage: 1/2/3-layer glass customized design,
Wi-Fi smart control + RGB lighting available
Bottom extra filters optional

Width: 600/700/800/900MM

Motor: 190W/250W AC motor (Energy class B/A);
70W/120W DC motor (Energy class A+, A++)

Color: Black / Pure White

Control: Touch control with remote controller

Lighting: 2*1.5W Led

Advantage: Auto open hood with Anti Finger clap protection

Wall mounted hood



Wall mounted hood

Width: 600/700/900MM

Motor: Twin motor 185W* 2PCS (1300m³/h Air flow)

Color: Black / White/430SS

Control: Touch control with hand wave sensor

Lighting: 2*1.5W Led

Advantage: Auto open window;
Super Strong air flow; self-clean

Width: 520/600/750/900MM

Color: Black painted/430SSBlack / Pure White

Hood Power: 65W/190W/250W/340W AC motor

Control: Mechanical push button / touch control/
Handwave control

Lighting: Round LED

Filters: 5-layer Alum filters / Baffle filters /
Glass or Metal Perimeter cover optional

Optional: Smart heat sensor

Advantage: Classic version with competitive price and
professional version with easy installation structure.

Built in Hood



Width: 600/700/900MM

Color: Black / White/430SS

Hood Power: 65W/100W/190W/Twin motor

Control: Rocker button/ touch control/Handwave control

Lighting: Round LED

Filters: 5-layer Alum filters / Alum filters with SS cover

Advantage: Classic version for Economic kitchen or Professional Slim version, Cabinet space friendly.

Under cabinet hood



Width: 30' / 36' / 48'

Color: 430SS or 304SS

Hood Power: 1 Motor 450CFM or 2 Motor 600CFM

Control: Mechanical push button / touch control

Lighting: Round LED

Filters: Baffle filters or Professional baffle filters with handle

America hood



Width: 1200MM

Color: Black painted/430SS/304

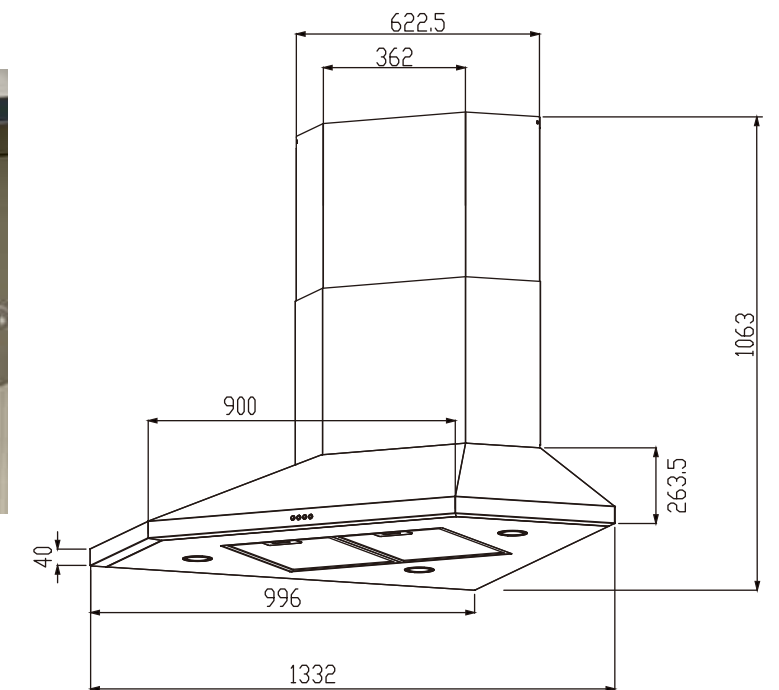
Hood Power: 340W AC motor/
twin motor 2600m³/h strong power

Control: Mechanical push button / Soft push button

Lighting: Round LED

Filters: baffle filters dish washer safe

Advantage: SAA & IPXI Standard



Width: 900MM

Color: Black painted/430SS

Hood Power: 190W/340W Copper motor

Control: Soft push button

Lighting: Round LED

Filters: Alum filters dish washer safe

Advantage: Make good use your kitchen space

Corner range

Built-in Oven



Automatic

Cooking Programs
Conjure up over tens of different dishes with ease: bread, cakes or meat. Our highly-automatic menu setting makes cooking even better with only a few touches.

Wireless Temperature Probe

Without the constraints of limited length, the wireless temperature probe provides premium flexibility and convenience.

Built-in Oven

What Do the Icons Mean?



Lamp

Each cavity has one or two light lights, which enable the user to observe the progress of cooking without opening the oven door.



Defrost

The circulation of air at room temperature enables quicker thawing of frozen food (without the use of any heat). It is a gentle and thawing of ready-made dishes, cream filled products, etc.



Convection

An element around the convection fan provides an additional source of heat for convection-style cooking. In convection mode the fan automatically comes on to improve the air fan automation within the oven to create even heat. Since the temperature is uniformly distributed, it is possible to cook multiple racks of food at the same time without burning the bottom (i.e. multiple racks of cup cakes.)



Double grill + fan

The combination of the fan and two top elements provides more even heat penetration, for energy savings up the outside and still, moist on the inside. Ideal for gratin dishes and finishing roasted vegetables.



Conventional + fan

Combines the benefits of the fan and conventional grill. Convenient and time savings, up to 4 dishes can be cooked simultaneously on different shelves without mixing of taste or smell.



Pyrolytic Self-cleaning

Under pyrolytic mode, the oven internal temperature will reach up to 450 C transforming baking, roasting, grilling splashes and residues into ashes. No need for any detergent or additional cleaning steps, the cavity can easily be cleaned by a swipe with a wet cloth.



Conventional

The top and bottom elements work together to provide conventional cooking. The oven needs to be pre-heated to the required temperature: ideal for slow cooking dishes such as casseroles and stews.



Double Grilling

The inside radiant element and outside top element work simultaneously giving a rapid and even grilling heat, therefore effectively browning the top surface of the food.



Lower Heater Element

A concealed element in the bottom of the oven provides a more concentrated heat to the base of food without browning. This is casseroles, stews.



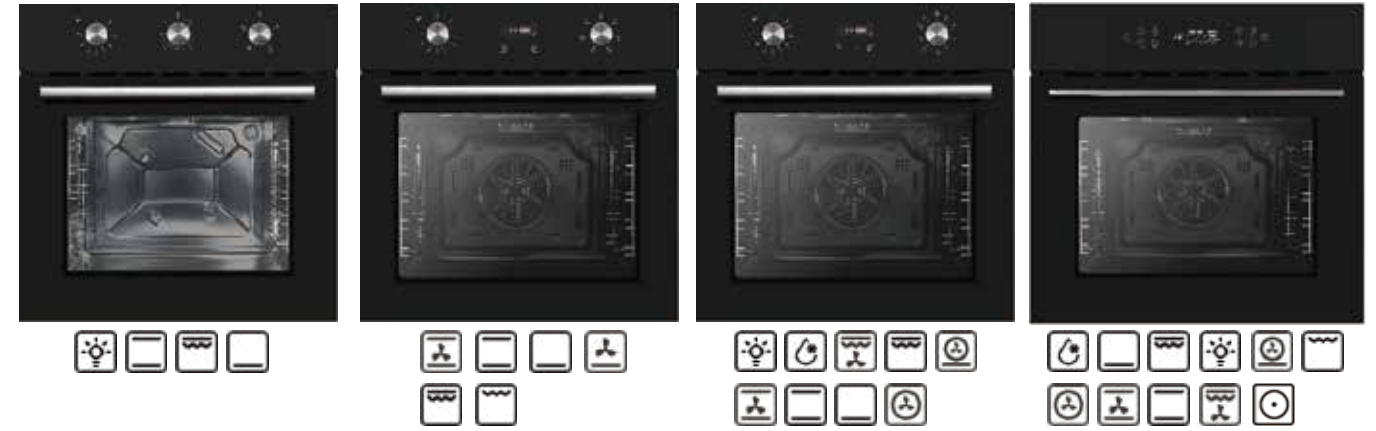
Radiant Grilling

The inner grill element switches on and off to maintain temperature at a constant level. Best results can be obtained from using the top larger items.



Top Heater Element

The inner grill element switches on and off to maintain temperature at a constant level. Best results can be obtained from using the top larger items.



Model No.	Model 1	Model 2	Model 3	Model 4
Control panel	Mechanical Control	Easy-tronic	Easy-tronic	Touch
Power Source	Electrical	Electrical	Electrical	Electrical
Cavity Size	75L	70L	70L	70L
Voltage	220-240 vlt 50/60Hz	220-240 volts, 50/60Hz	220-240 volts, 50/60Hz	220-240 volts, 50/60Hz
Max Current	230V/16A	230V/16A	230V/16A	230V/16A
Power Cable	3Cores Hard Wires	3 Cores Hard Wires	3 Cores Hard Wires	3 Cores Hard Wires
Appearance	Black glass	Black glass	Black glass	Black glass
Height of Control Panel	120mm	120mm	120mm	120mm
Energy Efficiency Rate	A+	A	A	A+
Cerification	CB/CE	CB/CE	CB/CE	CB/CE
Cavity Size	497*433*350	497*433*350	497*433*350	497*433*350
Oven Size	595*565*595	595*565*595	595*565*595	595*565*595
Temperature range	50/250	50/250	50/250	50/250
Timer	120min	10hr	10hr	6hr
Knob Material	optional	optional	optional	optional
Display size	N/A	70.5*21 mm	70.5*21mm	83.5*30 mm
Door plate layer	2-layer glass	2-layer glass	2-layer glass	2-layer glass
Inner door plate	low-e	low-e	low-e	low-e
Handle	optional	optional	optional	optional
Flat Removable Side Rack	●	●	●	●
Top heating element	1000W	1000W	1000W	1000W
grill heating element	1200W	1200W	1200W	1200W
Bottom heating element	1000W	1000W	1000W	1000W
Convection heating element	N/A	N/A	1800W	1800W
Oven lamp	25W	25W	25W	25W
Cooling fan	12W	12W	12W	12W
Convection motor	N/A	N/A	1800W	1800W
Rotisserie motor	N/A	N/A	N/A	N/A
max. power	2200W	2200W	2800W	2800W
Surface printing	Silkscreen	Silkscreen	Silkscreen	Silkscreen
Fixation Kkit	Screws	Screws	Screws	Screws
Door plate	Removable	Removable	Removable	Removable
Forced cooling	●	●	●	●
CartonBox Size	675*645*655	675*645*655	675*645*655	675*645*655
Loading Quantities	20°FCL: 81 40°FCL: 162 40HQ: 216	20°FCL: 81 40°FCL: 162 40HQ: 216	20°FCL: 81 40°FCL: 162 40HQ: 216	20°FCL: 81 40°FCL: 162 40HQ: 216

Built-in Oven

Oven Lineup



5/7/8/9 functions (optional)
 +60x60cm, 70L cabinet,5 shelf position
 +Mechanical control/Timer
 +Removable door with 2-layer glass
 +Enameled interior for easy cleaning
 Class A
 216pcs
 56L/287pcs(Optional)



5/6/7/8 functions (optional)
 +60x60cm, 70L cabinet,5 shelf positions
 +Mechanical control
 +White LED display
 +Removable door with 2-layer glass
 +Enameled interior for easy cleaning
 Class A
 216pcs
 56L/287(Optional)



5/6/7/8 functions (optional)
 +60x60cm, 70L cabinet,5 shelf position
 +Mechanical control
 +Removable door with 2-layer glass
 +Enameled interior for easy cleaning
 Class A
 216pcs
 56L/287(Optional)

Product Category



Model No.:			
Control panel	Optional	Easy-control	Easy-control
Power source	Electrical	Electrical	Electrical
Cavity size	70L/56L	70L/56L	70L/56L
Voltage	220-240 volts,50/60 Hz	220-240 volts,50/60 Hz	220-240 volts,50/60 Hz
Max current	230V/16A	230V/16A	230V/16A
Power cable	3 Cores hard wires	3 Cores hard wires	3 Cores hard wires
Appearance	Retro colors	Retro colors	Retro colors
Height of control panel	120mm	120mm	120mm
Energy efficiency rate	A	A	A
Certification	CB/CE/SAA	CB/CE/SAA	CB/CE/SAA
Cavity Size	497*433*350(70L)	497*400*350(70L)	497*400*350(70L)
Cavity Size	425*380*377(56L)	425*345*377(56L)	425*345*377(56L)
Oven Size	595*565*595(70L)	595*565*595(70L)	595*565*595(70L)
Oven Size	595*500*595(56L)	595*500*595(56L)	595*500*595(56L)
Temperature range	50/250	50/250	50/250
Timer	Mech timer 120min	Digital timer 10hr	Clock 24hr
Knob Material	Optional	Optional	Optional
Display size	N/A	70.5*21mm	N/A
Door plate layer	2-Layer glass	2-Layer glass	2-Layer glass
Inner door plate	Low-e	Low-e	Low-e
Handle	Optional	Optional	Optional
Removable side rack	●	●	●
Top heating element	1000W	1000W	1000W
Grill heating element	1200W	1200W	1200W
Bottom heating element	1000W	1000W	1000W
Convection heating element	N/A	1800W	1800W
Oven lamp	25W	25W	25W
Cooling fan	12W	12W	12W
Convection motor	N/A	35W	35W
Rotisserie motor	N/A	N/A	N/A
Max.power	2200W	2800W	2800W
Surface printing	Silkscreen	Silkscreen	Silkscreen
Fixation kit	Screws	Screws	Screws
Door plate	Removable	Removable	Removable

Built-in Oven



Oven/Microwave oven/Steam oven

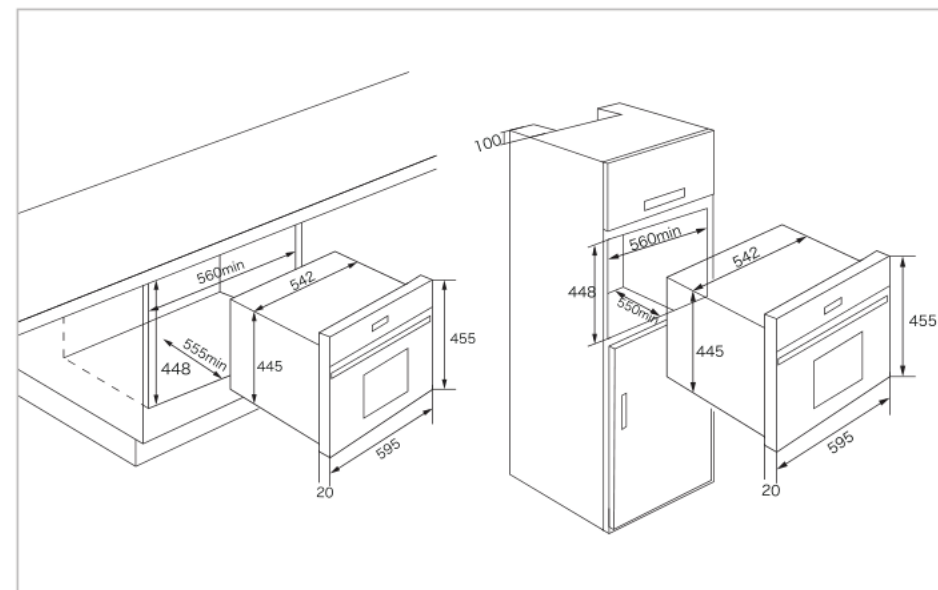
Wine cooler



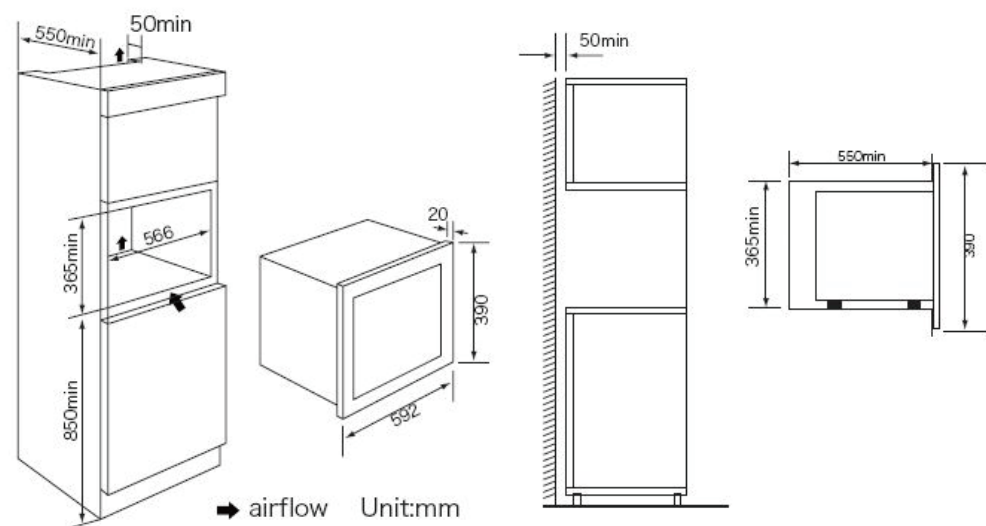
Coffee machine



Dimension chart



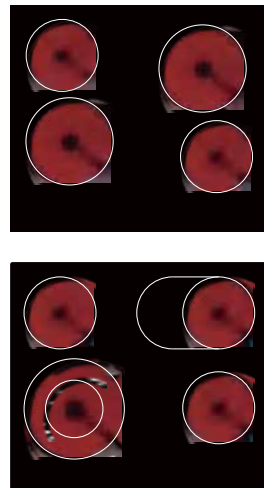
45CM compact range



45CM Compact range



4 functions (Optional)
 +60x60cm, 75L cabinet,5 shelf positions
 +Mechanical control
 +Removable door with 2-layer glass
 +Enameled interior for easy cleaning A+
 162pcs
 63L/216pcs(Optional)

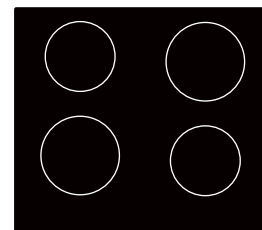


60 cm Ceramic
 Combined control
 Individual residual heat indicator
 Automatic safety switch off
 Total power(W):6000/6600
 Cooking Zones
 200(230/138)/165/165/200(270*165)mm
 1800(2200/1000)/1200/1200/1800(2000/1100)W

9 functions (Optional)
 +60x60cm, 75L cabinet,5 shelf positions
 +Mechanical control/Timer/
 display(Optional)
 +Removable door with 2-layer glass
 +Enameled interior for easy cleaning
 A
 162pcs
 63L/216pcs(Optional)



IOF7
 60 cm Induction
 Combined control
 Individual residual heat indicator
 Automatic safety switch off
 Total power(W):7000
 Cooking Zones
 160/180/160/180mm
 1500/2000/1500/2000W



Combi range



Product Category



Model No.:			
Control panel	Optional	Optional	Optional
Power source	Electrical	Electrical	Electrical
Cavity size	75L/63L	70L/56L	70L/56L
Voltage	220-240 volts,50/60 Hz	220-240 volts,50/60 Hz	220-240 volts,50/60 Hz
Max current	230V/16A	230V/16A	230V/16A
Power cable	N/A	N/A	N/A
Appearance	Black glass	Black glass	Black glass
Height of control panel	120mm	120mm	120mm
Energy efficiency rate	A+	A	A+
Certification	CB/CE/SAA	CB/CE/SAA	CB/CE/SAA
Cavity Size	497*433*350(75L)	497*400*350(75L)	497*400*350(75L)
Cavity Size	425*380*377(63L)	425*345*377(63L)	425*345*377(63L)
Oven Size	595*565*595(75L)	595*565*595(75L)	595*565*595(75L)
Oven Size	595*500*595(63L)	595*500*595(63L)	595*500*595(63L)

90CM OVEN



Model		
Control panel	Touch control	Touch control
Power source	Electrical	Electrical
Cavity size	110L	110L

45CM Compact range

Advanced Cooking Method Highlights

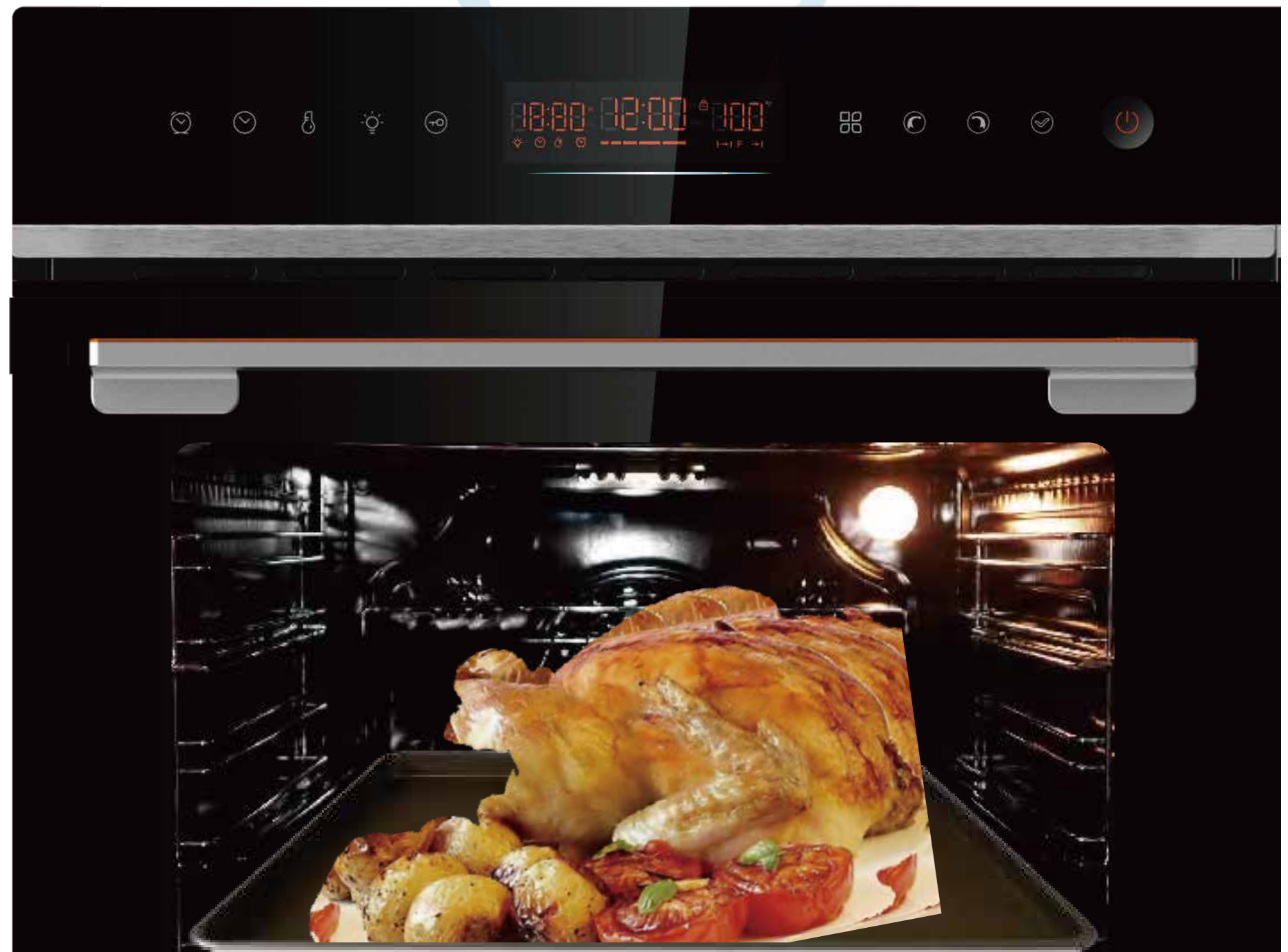


Automatic Cooking Program

Conjure up over tens of different dishes with ease: bread, cakes or meat. Our highly-automatic menu setting makes cooking even better with only a few touches.

Wireless Temperature Probe

Without the constraints of limited length, the wireless temperature probe provides premium flexibility and convenience.



Advanced Cleaning System Highlights

Seamless Cavity

With the advanced structural design and exquisite craftsmanship, all the welding mark of the oven cavity is perfectly concealed, which leaves no space for oil stain and food residues to hide inside the cavity.



Pyrolytic Self-cleaning

Pyrolytic Self-cleaning is an automatic process during which the oven will be heated up to 450 °C and the residue inside the cavity is incinerated to ash. Simply clean the cavity with a damp cloth, making arduous scrubbing and abrasive cleaners a thing past.

Catalytic Liner

Liners with a special enamel coating protect the side-walls of the oven. Grease splattered onto the sides of the oven is then broken down leaving the oven interior remarkably clean.



More Advantages to show

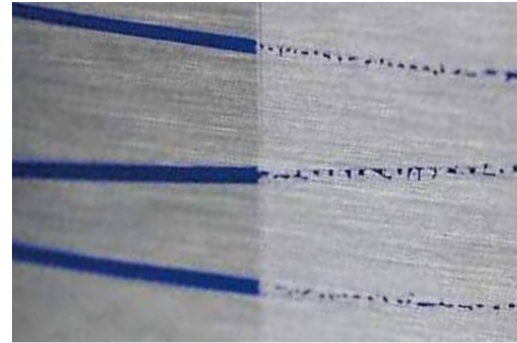


Temperature Probe

Care-free temperature control: food probe is equipped for constant monitoring: stop the oven when reaching the designated temperature with no extra supervising work.

Anti-fingerprint Surface

No fingerprints on stainless steel: the surface is protected by inox which is stain-resistant, requiring no special cleaning agent.



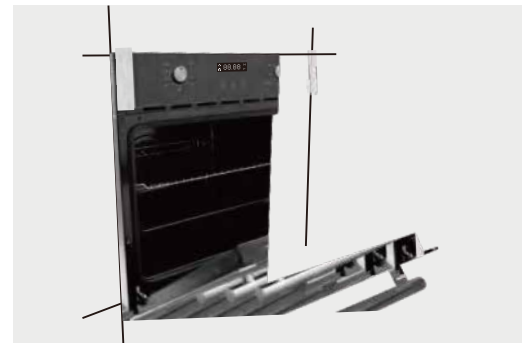
Removable door-inner glass

Inner door glass can be easily removed from the frame by taking out the vent. Clean or even raise the door glass effortlessly.



Burn-prevented glass door

Safe and cool-touch: with 4-layer glass, the door can be touched even during the high temperature cooking. Advanced heat-reflective inner glass keeps the door cool enough to be safely touched without getting burned.



Removable door

All bottom-hinged oven doors can easily be removed as required, enabling a convenient way of oven cleaning.

Safety child lock

It is all about caring, simply lock the control panel to prevent potential risk from starting the oven by children with curiosity.



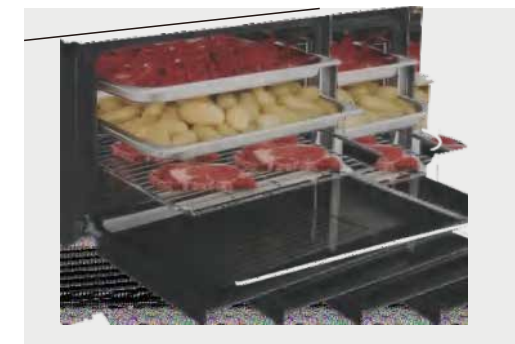
Energy efficiency

High energy efficiency: strive to lower down the energy consumption, to better protect the environment and save money.



Safety child lock

It is all about caring, simply lock the control panel to prevent potential risk from starting the oven by children with curiosity.



Telescopic Shelf

Five shelf positions and an optional telescopic shelf provide an easy and safe access to the cooking tray.

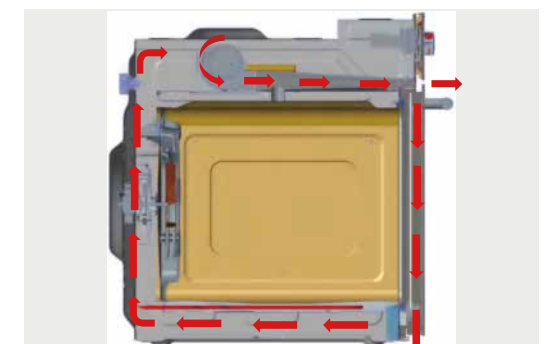


Gentle open/close door

Quite and soft door: thanks to the advanced dampers and hinges, the oven door can be gently opened and closed. With only a slight pull/push, the door will smoothly and quietly open or close and slow down before reaching the end.

Cooling air flue

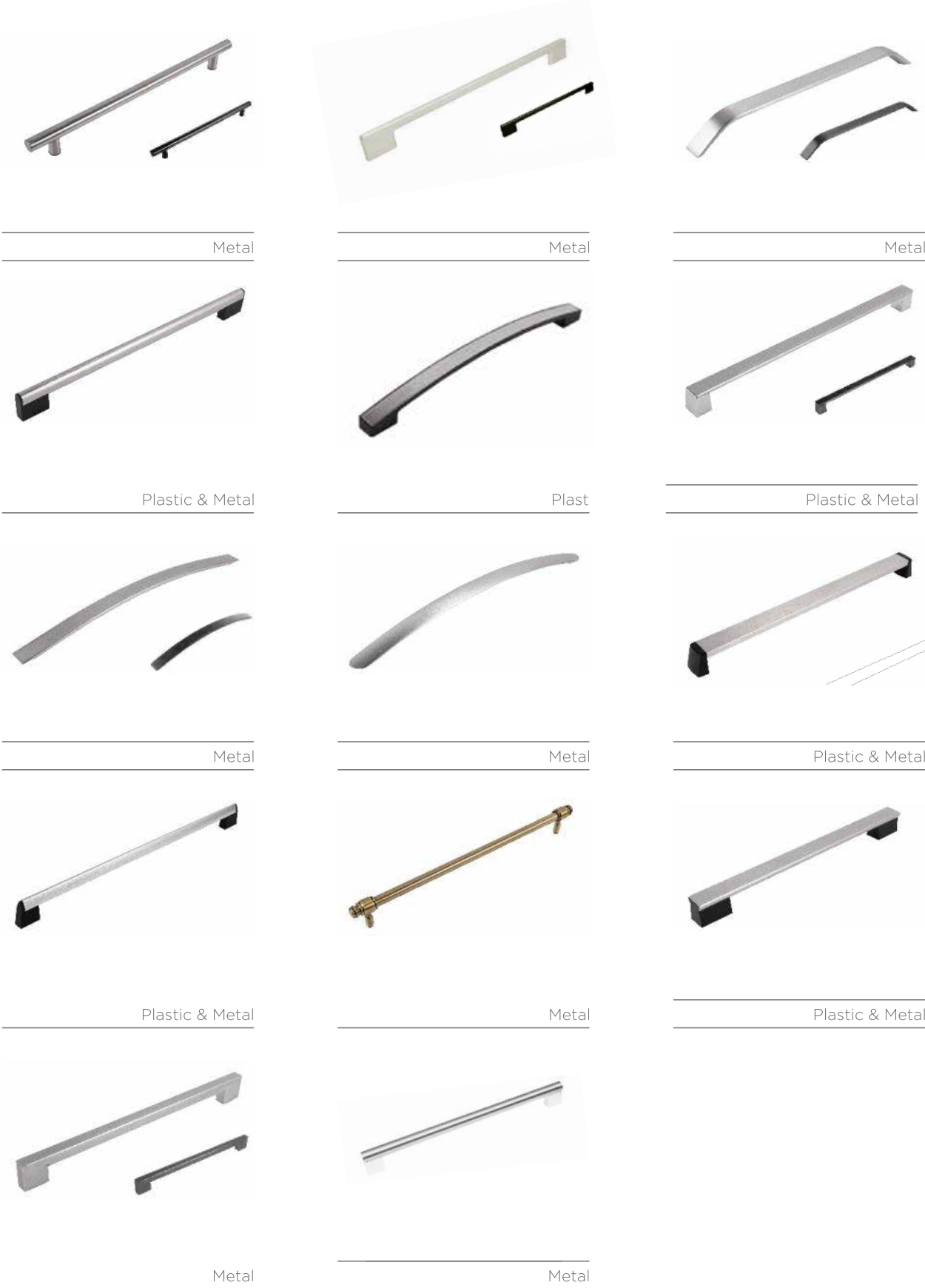
Efficient air diversion: The air flue system ensures the hot air can be released from the chimney while keeping the door safe to touch.



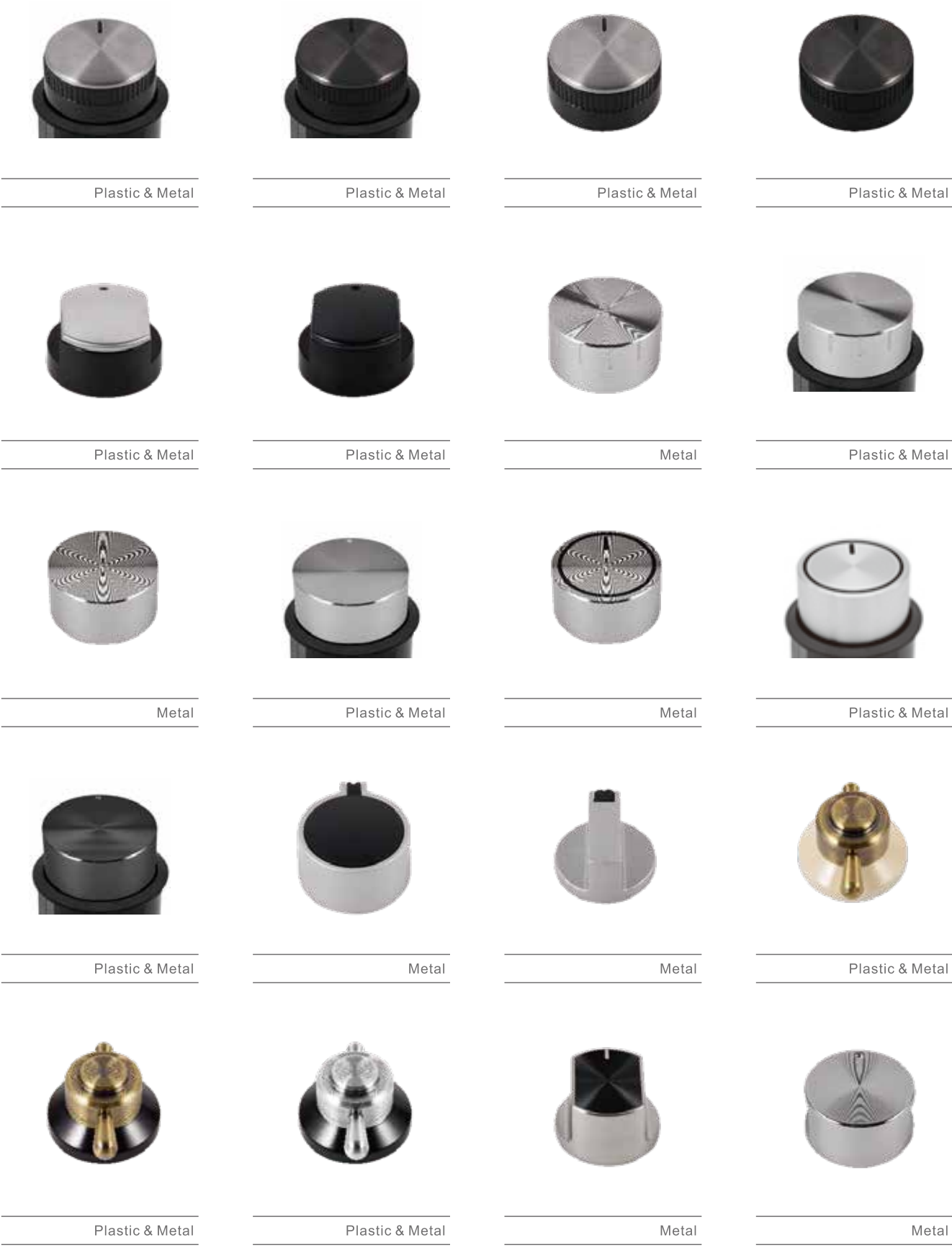
Built-in Oven

Optional Ovens Accessories

We offer a wide choice of accessories, providing ideal cooking options for all types of food.



Optional Assortment



Optional Ovens Accessories

We offer a wide choice of accessories, providing ideal cooking options for all types of food.



Side rack



Telescopic runner



Catalytic liner



Rotisserie



Baking tray



Probe



Tray handle



Pizza stone



Baking rack



Airfrier tray

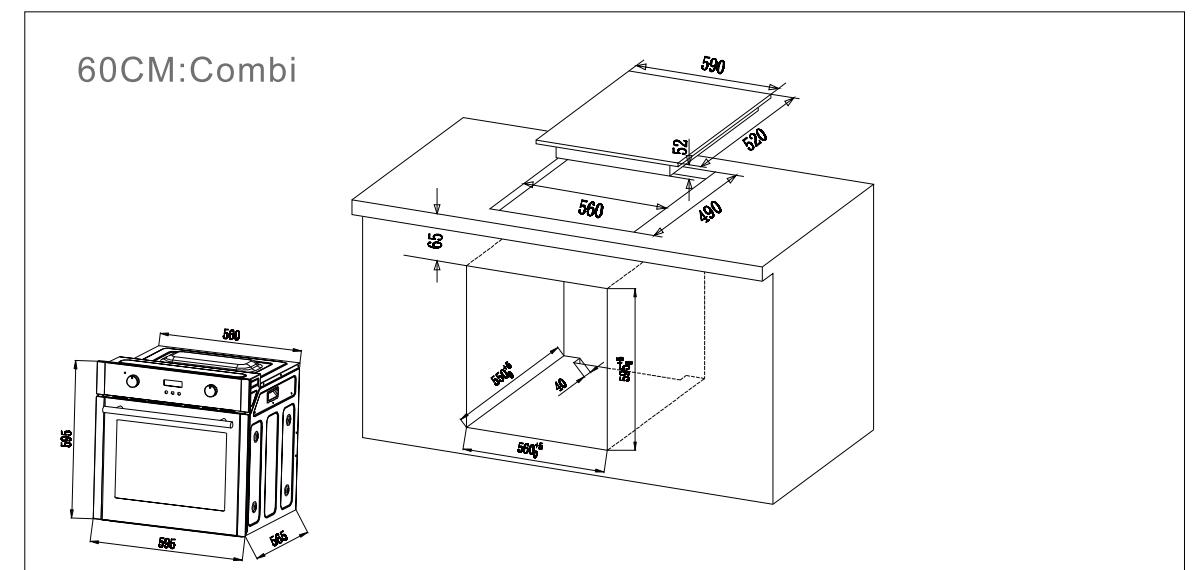
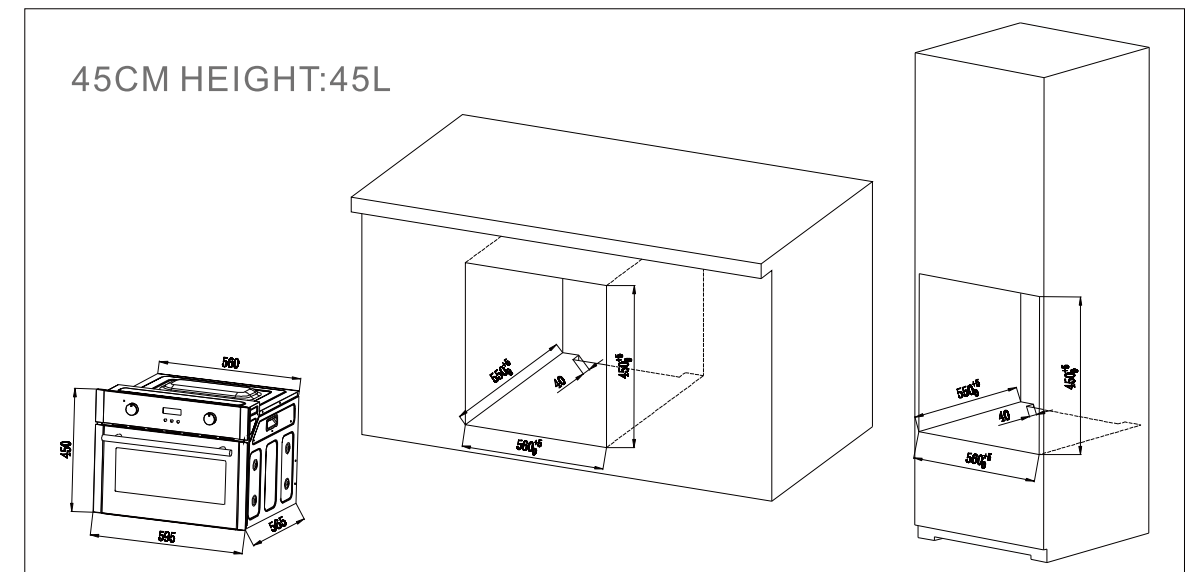
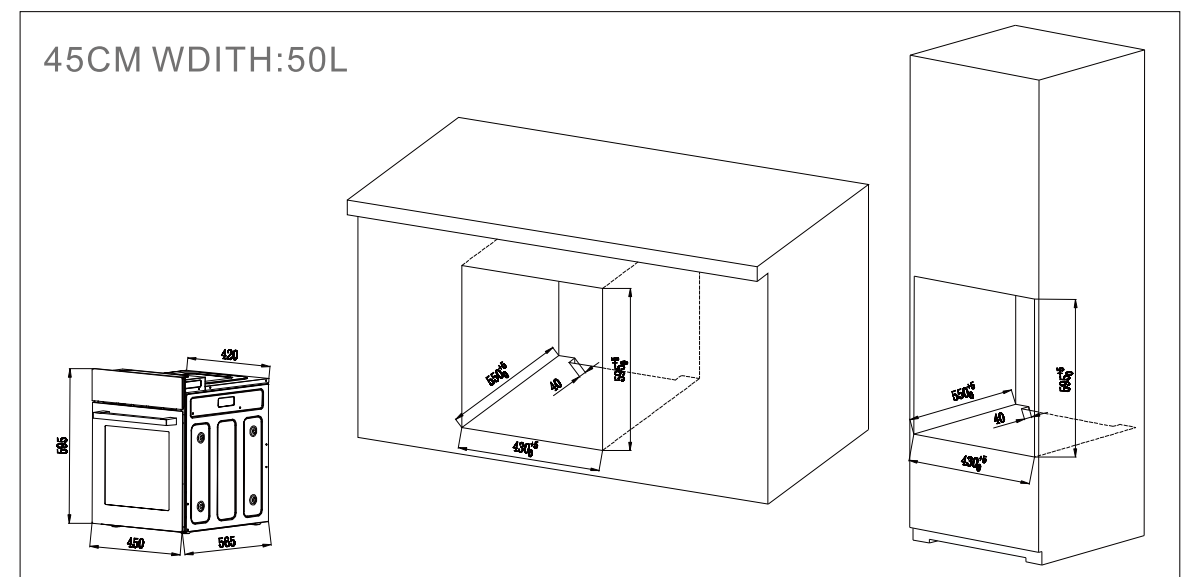
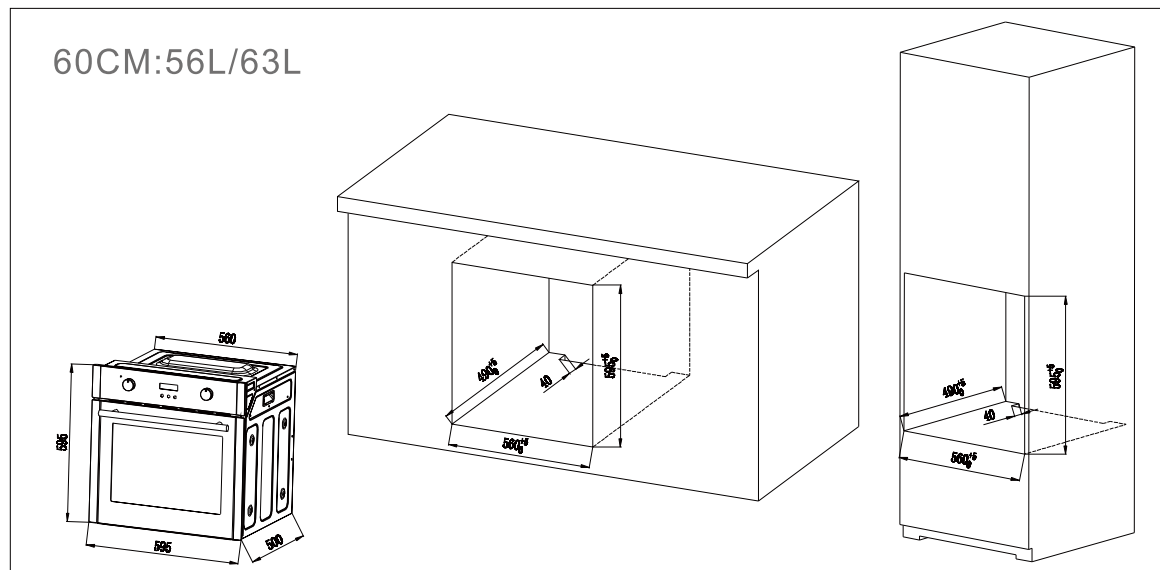
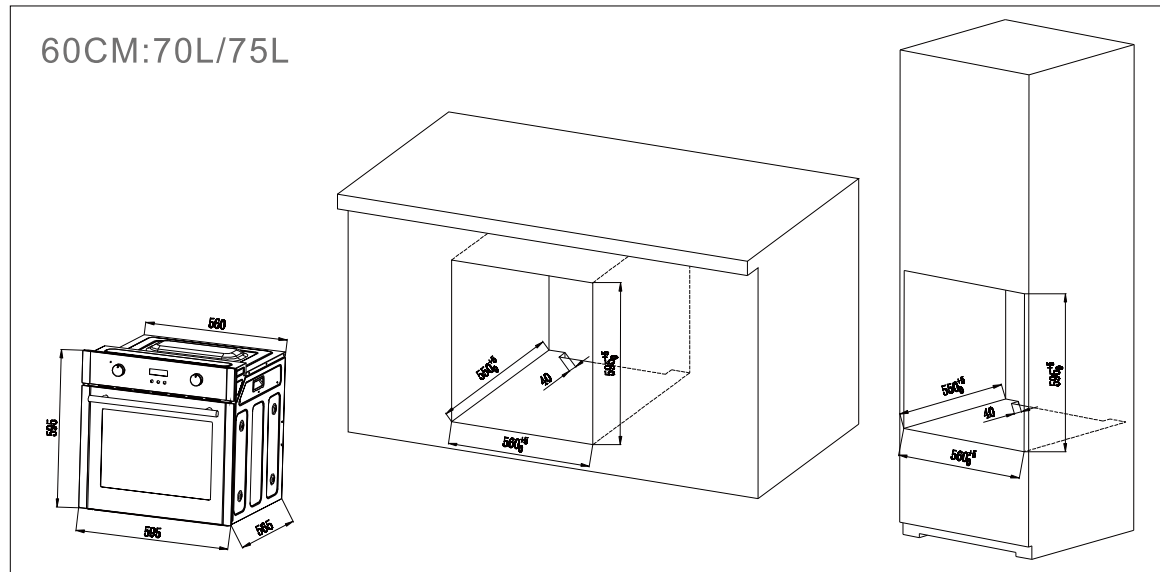
Optional Assortment



Built-in Oven



Installation Instruction





Microwave oven

Product Category



Model		
Liters	20Liters	20Liters
Microwave	700W	700W
Grill	Option(+USD3)	800W
Type	Free standing	Built-in
Timer	30mins	60mins
Handle	No	No
Control	Mechanical	Electronic Touch
Cavity	Grey Cavity	Grey Cavity
Turn table	245mm	245mm
Product Dimension	454W*330H*262D	592W*390H*313D
Latest IEC standard	Yes	Yes
Loading		
20'GP/40'GP/40'HQ	560/1200/1357	230/480/530pcs
MOQ	1200	100



Model		
Liters	23Liters	23Liters
Microwave	800W	800W
Grill	900W	900W
Type	Built-in	Built-in
Timer	60mins	60mins
Handle	No	No
Control	Electronic Touch	Electronic Touch
Cavity	SS Cavity	SS Cavity
Turn table	245mm	245mm
Product Dimension	592W*390H*3325D	592W*390H*3325D
Latest IEC standard	Yes	Yes
Loading		
20'GP/40'GP/40'HQ	210/450/485pcs	210/450/485pcs
MOQ	100	100

Microwave oven

Optional Assortment



Model		
Liters	25Liters	25Liters
Microwave	900W	900W
Grill	1100W	1100W
Type	Full Built-in	Full Built-in
Timer	60mins	60mins
Handle	No	No
Control	Electronic Touch	Electronic Touch
Cavity	Stainless steel	Stainless steel
Turn table	315mm	315mm
Product Dimension	592W*390H*356D	592W*390H*356D
Latest IEC standard	Yes	Yes
Loading		
20'GP/40'GP/40'HQ	207/450/455pcs	207/450/455pcs
MOQ	100	100



Model		
Liters	31Liters	31Liters
Microwave	900W	900W
Grill	1200W	1200W
Type	Built-in	Built-in
Timer	60mins	60mins
Handle	No	No
Control	Electronic Touch	Electronic Touch
Cavity	Stainless steel	Stainless steel
Turn table	315mm	315mm
Product Dimension	592W*390H*345D	592W*390H*345D
Latest IEC standard	Yes	Yes
Loading		
20'GP/40'GP/40'HQ	220/450/455pcs	220/450/455pcs
MOQ	100	100

Microwave oven



Model		
Liters	25Liters	31Liters
Microwave	900W	900W
Grill	1100W	1700W
Type	Full Built-in	Full Built-in
Timer	60mins	60mins
Handle	No	No
Control	Electronic Touch	Electronic Touch
Cavity	Stainless steel	Stainless steel
Turn table	315mm	315mm
Product Dimension	592W*390H*356D	592W*390H*356D
Latest IEC standard	Yes	Yes
Loading		
20'GP/40'GP/40'HQ	207/450/455pcs	207/450/455pcs
MOQ	100	100

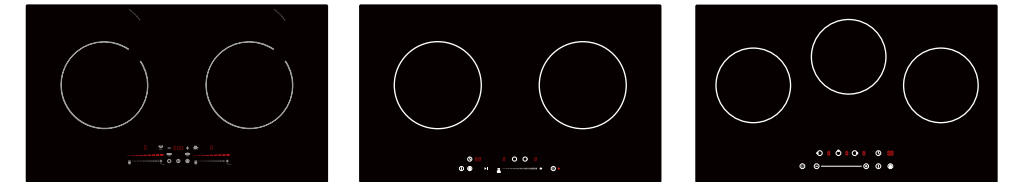
Microwave oven



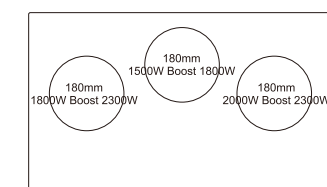
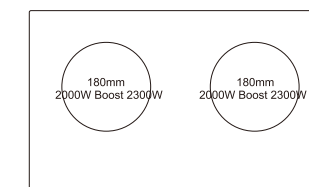
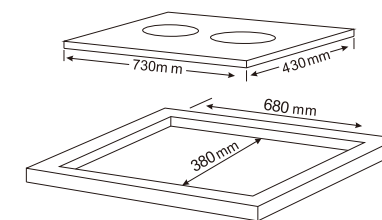
Southeast Asia Series Hob

Induction Hob

YOUR SMART KITCHEN

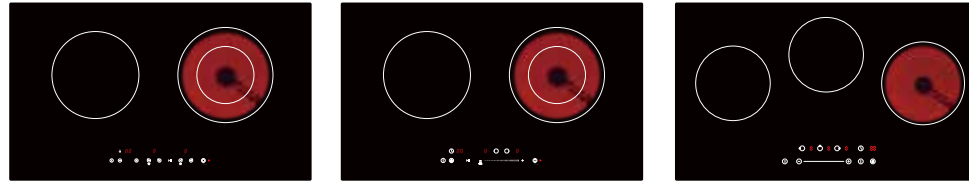


Factory Model No.			
Specification			
Rating	220-240V~,50-60Hz	220-240V~,50-60Hz	220-240V~,50-60Hz
Total power(W)	4600	4600	5500
Front left zone			
Power(W)/Diameter(mm)	2000 Boost 2300/180	2000 Boost 2300/180	2000 Boost 2300/180
Rear left zone			
Power(W)/Diameter(mm)	—	—	—
Centre zone			
Power(W)/Diameter(mm)	—	—	1500 Boost 1800/180
Rear right zone			
Power(W)/Diameter(mm)	—	—	—
Front right zone			
Power(W)/Diameter(mm)	2000 Boost 2300/180	2000 Boost 2300/180	2000 Boost 2300/180
Bridge Zone			
Power(W)/Diameter(mm)	—	—	—
Function			
Pan Sensor	● / - / -	- / ● / -	- / ● / -
Individual timer	●	●	●
Child Lock	●	●	●

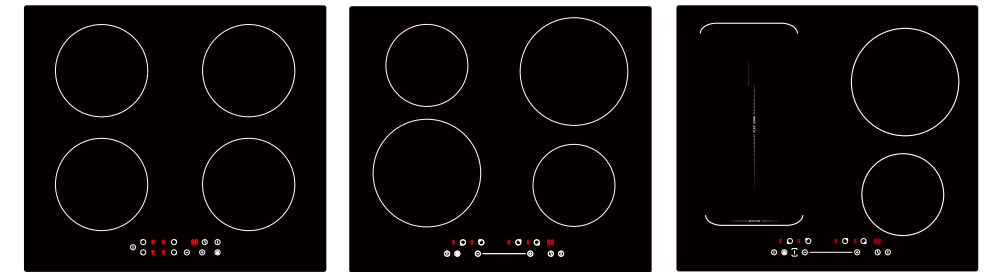
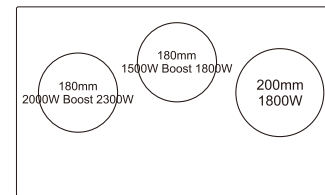
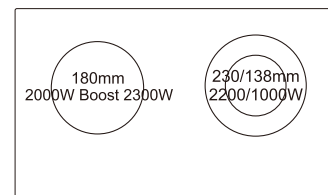
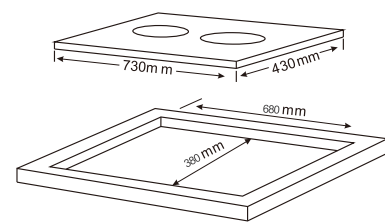


Combined Hob

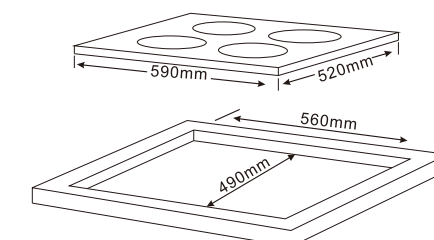
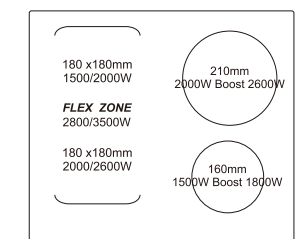
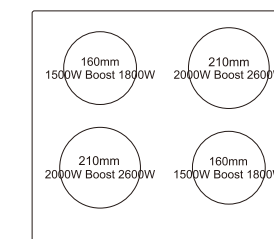
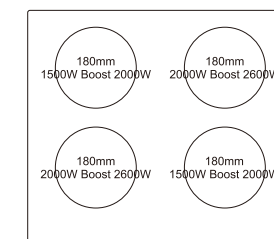
YOUR SMART KITCHEN

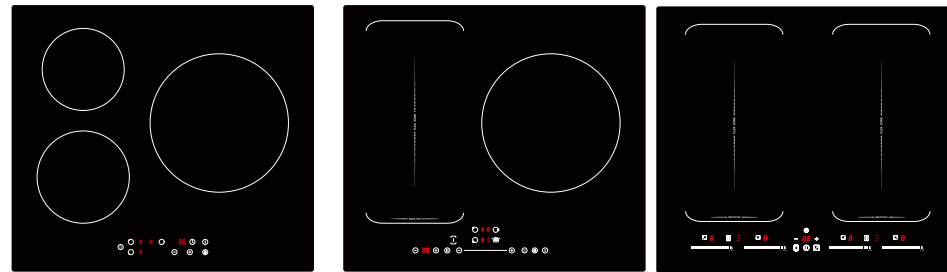


Factory Model No.			
Specification			
Rating	220-240V-.50-60Hz	220-240V-.50-60Hz	220-240V-.50-60Hz
Total power(W)	4500	4500	5300
Front left zone			
Power(W)/Diameter(mm)	2000 Boost 2300/180	2000 Boost 2300/180	2000 Boost 2300/180
Rear left zone			
Power(W)/Diameter(mm)	—	—	—
Centre zone			
Power(W)/Diameter(mm)	—	—	1500 Boost 1800/180
Rear right zone			
Power(W)/Diameter(mm)	—	—	1800/200
Front right zone			
Power(W)/Diameter(mm)	(2200/1000)/(230/138)	(2200/1000)/(230/138)	—
Bridge Zone			
Power(W)/Diameter(mm)	—	—	—
Function			
Pan Sensor	● / - / -	- / ● / -	- / ● / -
Individual timer	●	●	●
Child Lock	●	●	●

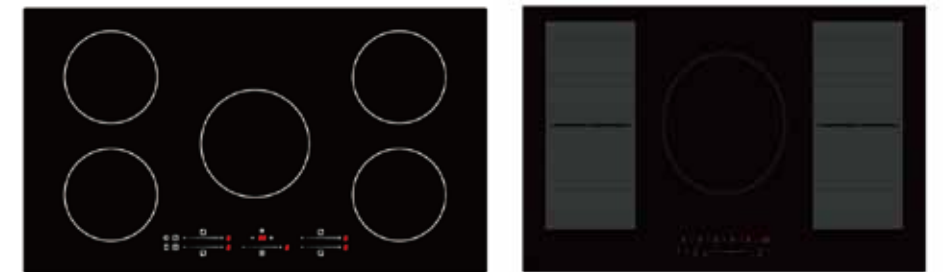
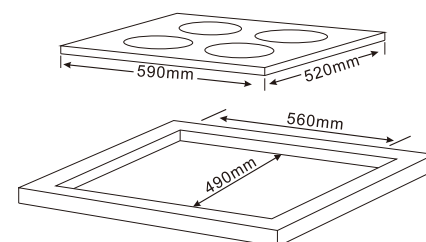
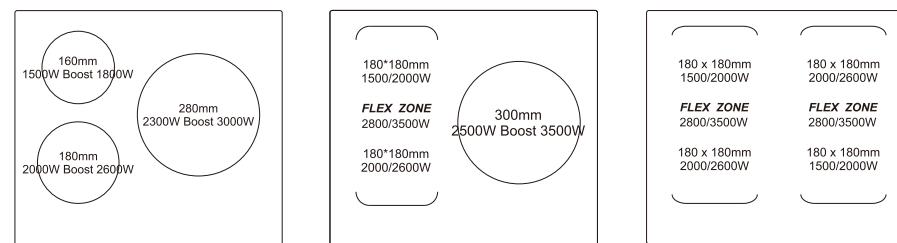


Factory Model No.			
Specification			
Rating	220-240V-.50-60Hz	220-240V-.50-60Hz	220-240V-.50-60Hz
Total power(W)	7000	7000	7000
Front left zone			
Power(W)/Diameter(mm)	2000 Boost 2600/180	2000 Boost 2600/210	2000 Boost 2600/180*180
Rear left zone			
Power(W)/Diameter(mm)	1500 Boost 2000/180	1500 Boost 1800/160	1500 Boost 2000/180*180
Centre zone			
Power(W)/Diameter(mm)	—	—	—
Rear right zone			
Power(W)/Diameter(mm)	2000 Boost 2600/180	2000 Boost 2600/210	2000 Boost 2600/210
Front right zone			
Power(W)/Diameter(mm)	1500 Boost 2000/180	1500 Boost 1800/160	1500 Boost 1800/160
Bridge Zone			
Power(W)/Diameter(mm)	—	—	2800 Boost 3500/400*200
Function			
Pan Sensor	●	●	●
Individual timer	●	●	●
Child Lock	●	●	●



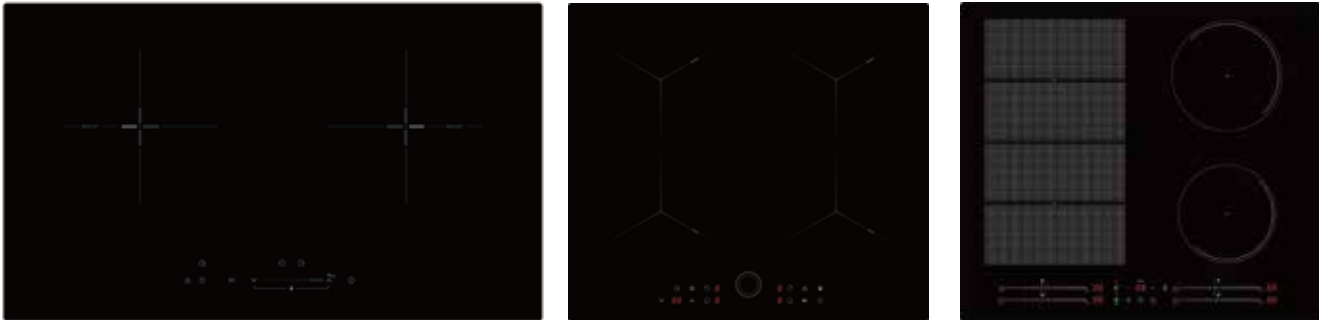


Factory Model No.			
Specification			
Rating	220-240V-,50-60Hz	220-240V-,50-60Hz	220-240V-,50-60Hz
Total power(W)	6500	7000	7000
Front left zone			
Power(W)/Diameter(mm)	2000 Boost 2600/180	2000 Boost 2600/180*180	2000 Boost 2600/180*180
Rear left zone			
Power(W)/Diameter(mm)	1500 Boost 1800/160	1500 Boost 2000/180*180	1500 Boost 2000/180*180
Centre zone			
Power(W)/Diameter(mm)	—	—	—
Rear right zone			
Power(W)/Diameter(mm)	2300 Boost 3000/280	2500 Boost 3500/300	2000 Boost 2600/180*180
Front right zone			
Power(W)/Diameter(mm)	—	—	1500 Boost 2000/180*180
Bridge Zone			
Power(W)/Diameter(mm)	—	2800 Boost 3500/400*200	2800 Boost 3500/400*200
Function			
Pan Sensor	•	•	•
Individual timer	•	•	•
Child Lock	•	•	•



Factory Model No.		
Specification		
Rating	220-240V-,50-60Hz	220-240V-,50-60Hz
Total power(W)	7200	7200
Front left zone		
Power(W)/Diameter(mm)	2000 Boost 2600/180*180	2000 Boost 2600/180*180
Rear left zone		
Power(W)/Diameter(mm)	1500 Boost 2000/180*180	1500 Boost 2000/180*180
Centre zone		
Power(W)/Diameter(mm)	2000 Boost 2600/210	2000 Boost 2600/210
Rear right zone		
Power(W)/Diameter(mm)	2000 Boost 2600/ 210	2000 Boost 2600/180*180
Front right zone		
Power(W)/Diameter(mm)	1500 Boost 1800/ 160	1500 Boost 2000/ 180*180
Bridge Zone		
Power(W)/Diameter(mm)	2800 Boost 3500/ 400*200	2800 Boost 3500/ 400*200

New coming——Half bridge burners



Half bridge induction cooker

The half-bridge induction cooker solution provides a wide continuous heating power range of 300W~3000W, **high conversion efficiency, low loss and complete hardware protection mechanisms.** There is an increasing demand for high-power and continuous heating induction cookers in high-end household and commercial applications.

- 300W lowest power continuously heating for half bridge technology.
- Low noise
- Max 3000W power

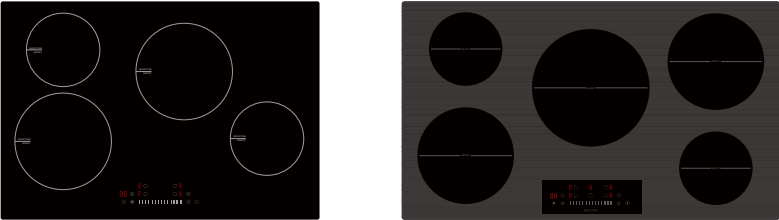


Slim induction cooker, elegant design and space saving for your kitchen!

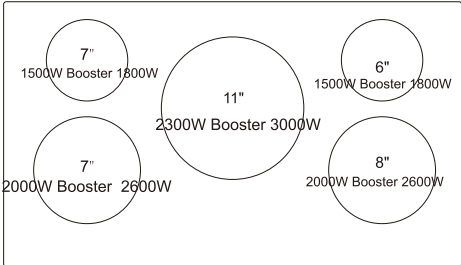
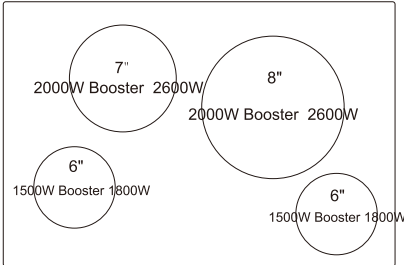
Product size: 900*380*67MM

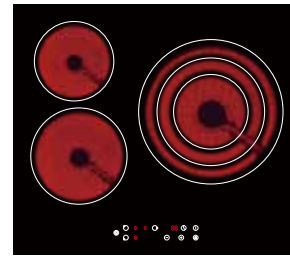
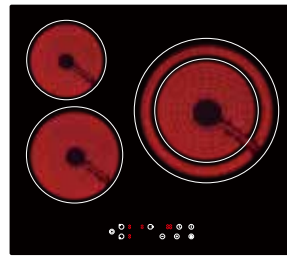
Built in size: 875*365MM

Bluebooth connection to your kitchen hood available. 



Factory Model No.		
Specification		
Rating	220-240V-,50-60Hz	220-240V-,50-60Hz
Total power(W)	7400	7400
Front left zone		
Power(W)/Diameter(mm)	1500 Boost 1800/6"	2000 Boost 2600/7"
Rear left zone		
Power(W)/Diameter(mm)	2000 Boost 2600/7"	1500 Boost 1800/7"
Centre zone		
Power(W)/Diameter(mm)	—	2300 Boost 3000/11"
Rear right zone		
Power(W)/Diameter(mm)	2000 Boost 2600/8"	1500 Boost 1800/6"
Front right zone		
Power(W)/Diameter(mm)	1500 Boost 1800/6"	2000 Boost 2600/8"
Bridge Zone		
Power(W)/Diameter(mm)	—	—
Dimensions & Package		
Product Size(mm)(W*D*H)	30.7" *21.3" *2.8"	37" *21.25" *2.8"
Cut-out Size(mm) (W*D*H)	29.6" *20.2"	34.9" *20"
Carton Size(mm) (W*D*H)	34.4" *25" *6.3"	39" *23" *6.3"
Net weight(kg)	14.1	15.7
Gross weight(kg)	16	17.6
Loading quantity	320/704/792	320/656/738



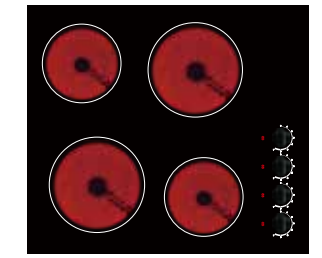
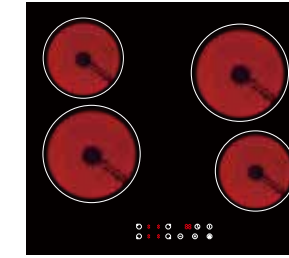
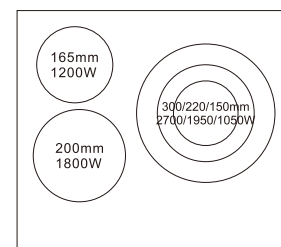
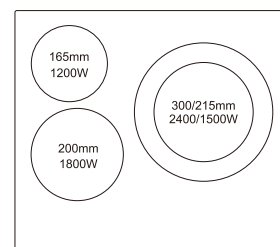
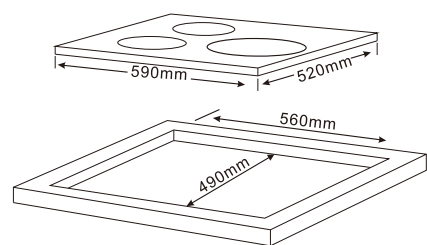


Factory Model No.

Specification		
Rating	220-240V-,50-60Hz	220-240V-,50-60Hz
Total power(W)	5400	5700
Front left zone		
Power(W)/Diameter(mm)	1800/200	1800/200
Rear left zone		
Power(W)/Diameter(mm)	1200/165	1200/165
Centre zone		
Power(W)/Diameter(mm)	—	—
Rear right zone		
Power(W)/Diameter(mm)	—	(2700/1950/1050)/(300/220/150)
Front right zone		
Power(W)/Diameter(mm)	(2400/1500)/(300/215)	—
Bridge Zone		
Power(W)/Diameter(mm)	—	—

Function		
Touch/Slider/Konb Control	• / — / —	• / — / —
Individual Timer	•	•
Child Lock	•	•
Residual Heat indicator	•	•
Auto Safety Switch Off	•	—
Spillage Protection	•	•
Dual Zone	•	—
Triple Zone	—	—
Oval Zone	—	—

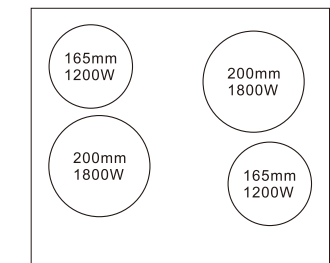
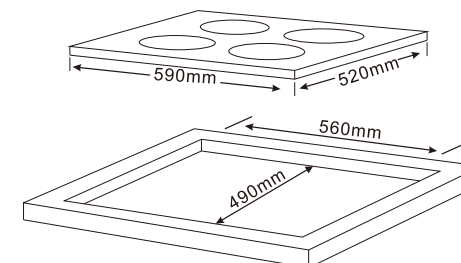
590*520*52
560*490

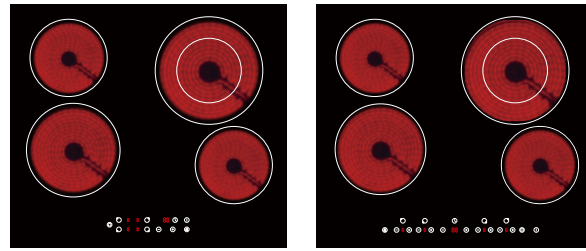


Factory Model No.

Specification		
Rating	220-240V-,50-60Hz	220-240V-,50-60Hz
Total power(W)	6000	6000
Front left zone		
Power(W)/Diameter(mm)	1800/200	1800/200
Rear left zone		
Power(W)/Diameter(mm)	1200/165	1200/165
Centre zone		
Power(W)/Diameter(mm)	—	—
Rear right zone		
Power(W)/Diameter(mm)	1800/200	1800/200
Front right zone		
Power(W)/Diameter(mm)	1200/165	1200/165
Bridge Zone		
Power(W)/Diameter(mm)	—	—

Function		
Touch/Slider/Konb Control	• / — / —	• / — / —
Individual Timer	•	—
Child Lock	•	—
Residual Heat indicator	•	•
Auto Safety Switch Off	•	•
Spillage Protection	•	•
Dual Zone	—	•
Triple Zone	—	—
Oval Zone	—	—



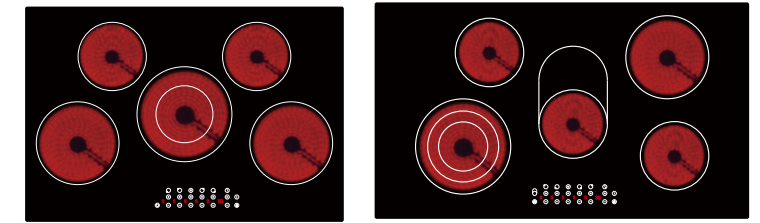
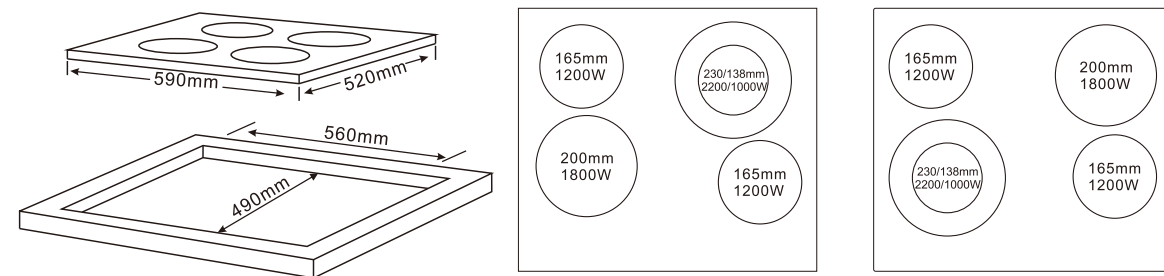


Factory Model No.

Specification		
Rating	220-240V-,50-60Hz	220-240V-,50-60Hz
Total power(W)	6400	6400
Front left zone		
Power(W)/Diameter(mm)	1800/200	1800/200
Rear left zone		
Power(W)/Diameter(mm)	1200/165	1200/165
Centre zone		
Power(W)/Diameter(mm)	—	—
Rear right zone		
Power(W)/Diameter(mm)	(2200/1000)/(230/138)	(2200/1000)/(230/138)
Front right zone		
Power(W)/Diameter(mm)	1200/165	1200/165

Function

Touch/Slider/Konb Control		
Individual Timer	•	•
Child Lock	•	•
Residual Heat indicator	•	•
Auto Safety Switch Off	•	•
Spillage Protection	•	•
Dual Zone	•	•
Triple Zone	—	—
Oval Zone	—	—

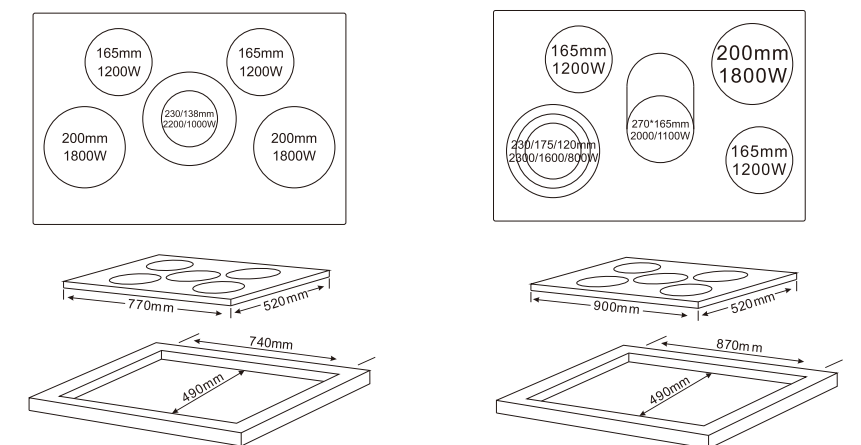


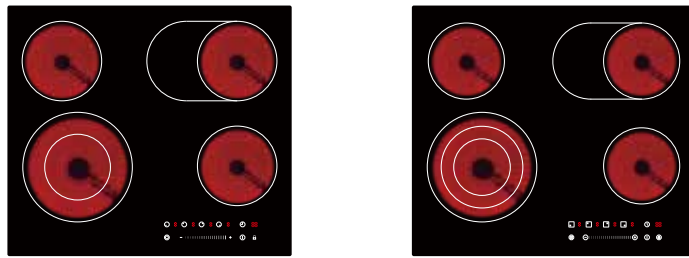
Factory Model No.

Specification		
Rating	220-240V-,50-60Hz	220-240V-,50-60Hz
Total power(W)	8200	8500/6700
Front left zone		
Power(W)/Diameter(mm)	1800/200	(2300/1600/800)/(230/175/120)
Rear left zone		
Power(W)/Diameter(mm)	1200/165	1200/165
Centre zone		
Power(W)/Diameter(mm)	(2200/1000)/(230/138)	(2000/1100)/(270*165)
Rear right zone		
Power(W)/Diameter(mm)	1200/165	1800/200
Front right zone		
Power(W)/Diameter(mm)	1800/200	1200/165

Function

Touch/Slider/Konb Control	• / - / -	• / - / -
Individual Timer	•	•
Child Lock	•	•
Residual Heat indicator	•	•
Auto Safety Switch Off	•	•
Spillage Protection	•	•
Dual Zone	•	—
Triple Zone	—	•
Oval Zone	—	•



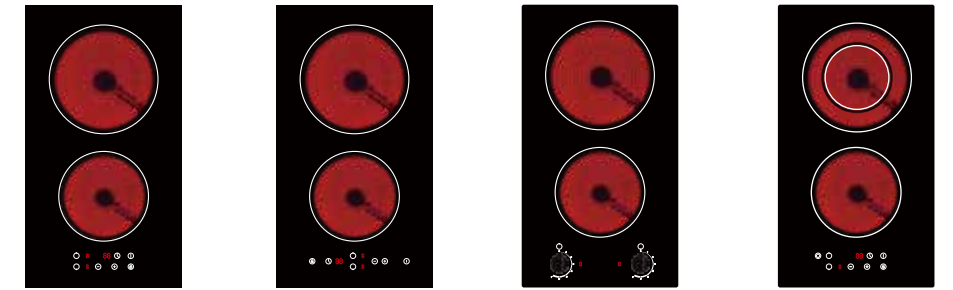
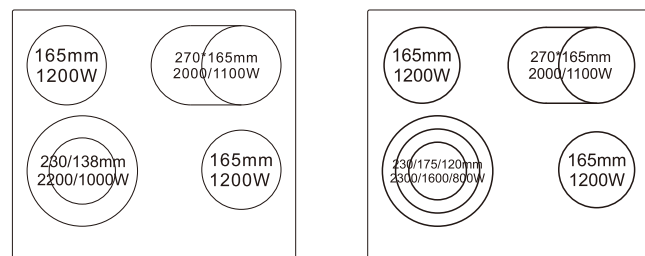


Factory Model No.

Specification		
Rating	220-240V-,50-60Hz	220-240V-,50-60Hz
Total power(W)	6600	6700
Front left zone		
Power(W)/Diameter(mm)	(2200/1000)/(230/138)	(2300/1600/1800)/(230/175/120)
Rear left zone		
Power(W)/Diameter(mm)	1200/165	1200/165
Centre zone		
Power(W)/Diameter(mm)	—	—
Rear right zone		
Power(W)/Diameter(mm)	(2000/1100)/(270*165)	(2000/1100)/(270*165)
Front right zone		
Power(W)/Diameter(mm)	1200/165	1200/165
Bridge Zone		

Function

Touch/Slider/Comb Control	• / — / —	• / — / —
Individual Timer	•	•
Child Lock	•	•
Residual Heat indicator	•	•
Auto Safety Switch Off	•	•
Spillage Protection	•	•
Dual Zone	•	—
Triple Zone	—	•
Oval Zone	•	•

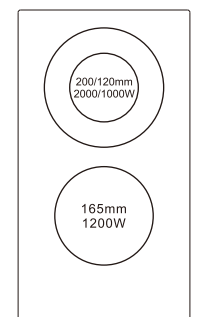
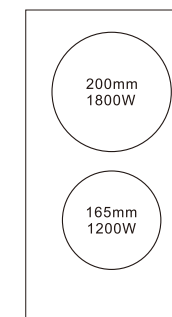


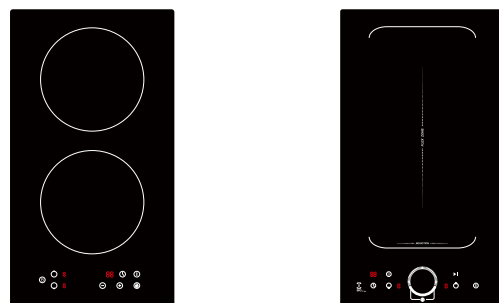
Factory Model No.

Specification				
Rating	220-240V-,50-60Hz	220-240V-,50-60Hz	220-240V-,50-60Hz	220-240V-,50-60Hz
Total power(W)	3000	3000	3000	3200
Front left zone				
Power(W)/Diameter(mm)	1200/165	1200/165	1200/165	1200/165
Rear left zone				
Power(W)/Diameter(mm)	1800/200	1800/200	1800/200	(2000/1000)(200/120)
Centre zone				
Power(W)/Diameter(mm)	—	—	—	—
Rear right zone				
Power(W)/Diameter(mm)	—	—	—	—
Front right zone				
Power(W)/Diameter(mm)	—	—	—	—
Bridge Zone				
Power(W)/Diameter(mm)	—	—	—	—

Dimensions & Package

Product Size(mm)(W*D*H)	288*520*52	288*520*52	288*520*52	288*520*52
Cut-out Size(mm) (W*D*H)	268*500	268*500	268*500	268*500
Carton Size(mm) (W*D*H)	380*575*115	380*575*115	380*575*115	380*575*115
Net weight(kg)	4.3	4.3	4.3	4.5
Gross weight(kg)	5.3	5.3	5.3	5.7
Loading quantity	1139/2280/2639	1139/2280/2639	1139/2280/2639	1139/2280/2639



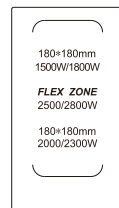
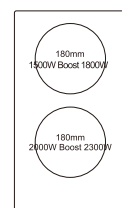


Factory Model No.

Specification		
Rating	220-240V-,50-60Hz	220-240V-,50-60Hz
Total power(W)	3500/2900	3500
Front left zone		
Power(W)/Diameter(mm)	2000 Boost 2300/180	2000 Boost 2300/180*180
Rear left zone		
Power(W)/Diameter(mm)	1500 Boost 1800/180	1500 Boost 1800/ 180*180
Centre zone		
Power(W)/Diameter(mm)	—	—
Rear right zone		
Power(W)/Diameter(mm)	—	—
Front right zone		
Power(W)/Diameter(mm)	—	—
Bridge Zone		
Power(W)/Diameter(mm)	—	2500 Boost 2800/400*200

Dimensions & Package

Product Size(mm)(W*D*H)	288*520*60	288*520*60
Cut-out Size(mm) (W*D*H)	268*500	268*500
Carton Size(mm) (W*D*H)	375*575*115	375*575*115
Net weight(kg)	4.5	4.5
Gross weight(kg)	5.5	5.5
Loading quantity	1140/2280/2639	1140/2280/2639



Factory Model No.

Features

	Temperd glass 6.0	Temperd glass 6.0	Temperd glass 6.0
Automatic ignition	●	●	●
Gas type	NG, LPG	NG, LPG	NG, LPG
Flame failure devices	●	●	●
Pan support material	Die cast iron pan supports	Die cast iron pan supports	Forged iron pan supports
Sabaf burners	Tripple ring, 3.6kW	3.0kW/1.75kW	3.0kW/1.75kW
Power supply	110-240 ACV, 50/60Hz	110-240 ACV, 50/60Hz	110-240 ACV, 50/60Hz

Options

Sabaf burners			
Chinese burners	GFN: Tripple ring, 3.4kW	GFM: 3.0kW/1.75kW	GFM: 3.0kW/1.75kW
Knobs design	●	●	●

Dimensions & Package

Product Size(mm)(W*D*H)	296*520*97	296*520*97	296*520*97
Cut-out Size(mm) (W*D*H)	266*490	266*490	266*490
Package Size(mm) (W*D*H)	365*570*162	365*570*162	365*570*162
Loading quantity (pcs)	20GP: 840 40GP: 1680 40HQ: 1920	20GP: 840 40GP: 1680 40HQ: 1920	20GP: 840 40GP: 1680 40HQ: 1920



8mm black tempered glass;
 2 * 5.2KW Brass Burner Power
 Cast-iron pan support
 Product size: 780*450*160mm;
 Cut-size: 680*380mm

8mm black tempered glass;
 2 * 5.2KW Brass Burner Power
 + 1 auxiliary burner
 Cast-iron pan support;
 Product size: 780*450*160mm;
 Cut-size: 680*380mm



1.2mm stainless steel panel;
 2 * 5.2KW Brass Burner Power
 Cast-iron pan support;
 Product size: 760*440*160mm;
 Cut-size: 680*380mm

1.2mm stainless steel panel;
 2 * 5.2KW Brass Burner Power
 +1 auxiliary burner
 Cast-iron pan support;
 Product size: 760*440*160mm;
 Cut-size: 680*380mm

Factory Model No.

Features

Panel material	Stainless steel	Stainless steel
Automatic ignition	●	●
Gas type	NG, LPG	
Flame failure devices	●	●
Pan support material	Die cast iron pan supports	Die cast iron pan supports
Sabaf burners	Tripple ring, 3.6kW	
Power supply	110-240 ACV, 50/60Hz	110-240 ACV, 50/60Hz

Options

Sabaf burners		
Chinese burners	GFN: Tripple ring, 3.4kW	
Knobs design	●	●

Dimensions & Package

Product Size(mm)(W*D*H)	296*520*97	296*520*97
Cut-out Size(mm) (W*D*H)	266*490	266*490
Package Size(mm) (W*D*H)	365*570*162	365*570*162
Loading quantity (pcs)	20GP: 840 40GP: 1680 40HQ: 1920	20GP: 840 40GP: 1680 40HQ: 1920



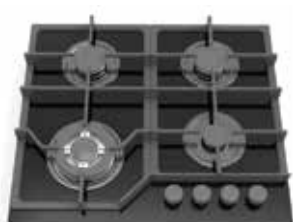
8mm Black temper glass
 Cast iron pan support
 3 Burner: 3.3kw/1.75kw/1.0kw
 Product Size: 590*510mm
 Control: Front control



8mm Black temper glass
 Cast iron pan support
 3 Burner: 3.3kw/1.75kw/1.0kw
 Product Size: 590*510mm
 Control: Front control



8mm Black temper glass
 Cast iron pan support
 3 Burner: 3.3kw/1.75kw/1.0kw
 Product Size: 590*510mm
 Control: Front control



1.2mm stainless steel panel;
 Cast iron pan support
 4 Burner: 3.3kw/1.75kw/1.75kw /1.0kw
 Product Size: 580*510mm
 Control: Front control / Side control

More models for option:

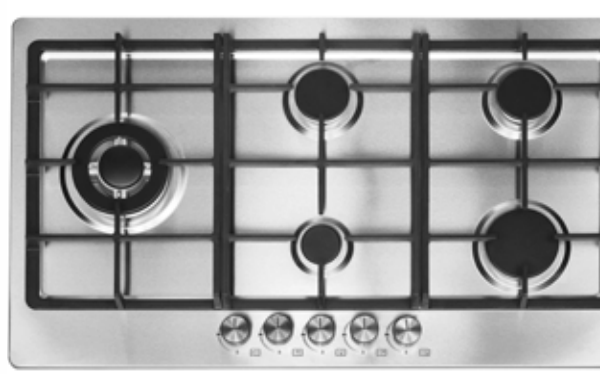


Matt Black

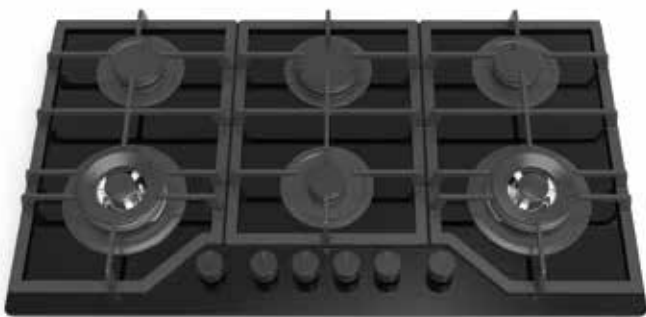


Ivory

New coming—Multi burners



Professional model with 2 WOK burners



Gas hob