

# Aluminium Doors and Windows Catalog





# 铝合金系统门窗(一)

Australian Systematic Aluminium Door&Window

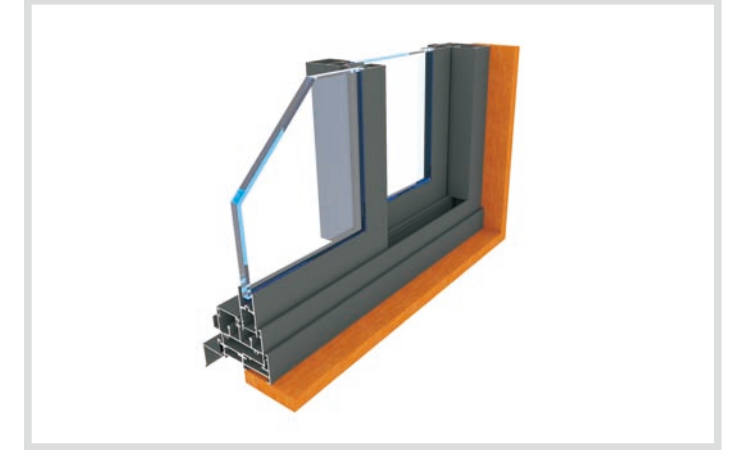
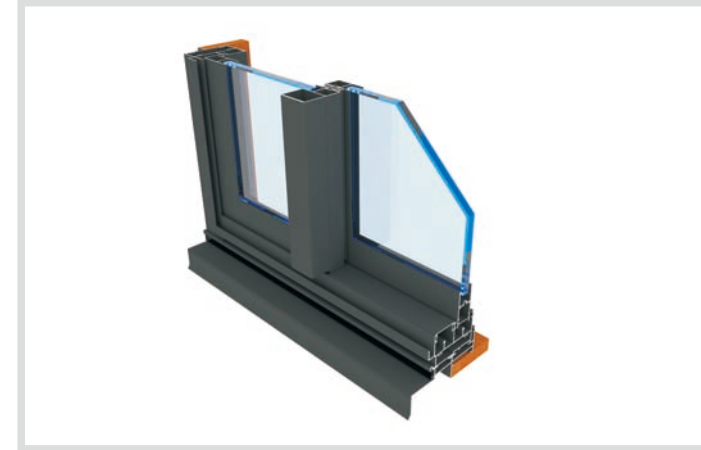




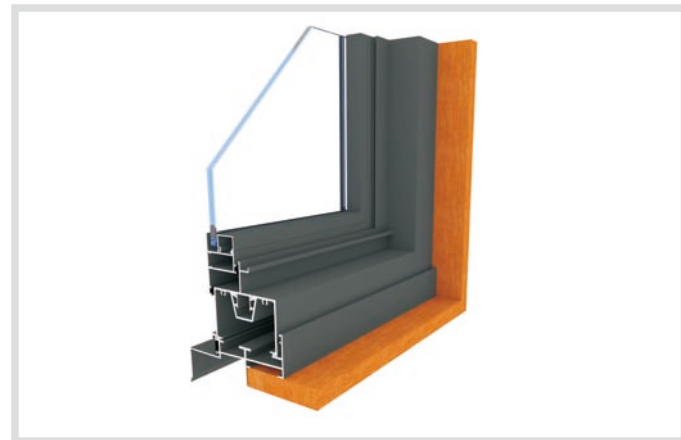
**76mm Fixed window** 76系列固定窗



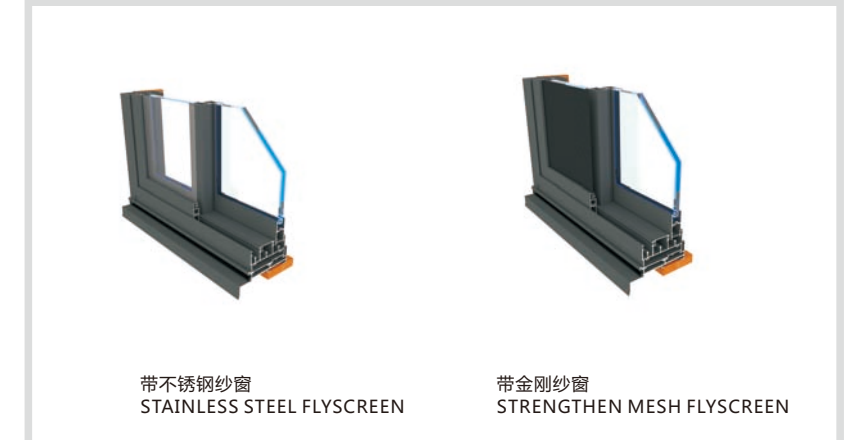
**76mm sliding door&window** 76系列推拉门窗



**76mm Awning window** 76系列手摇悬窗



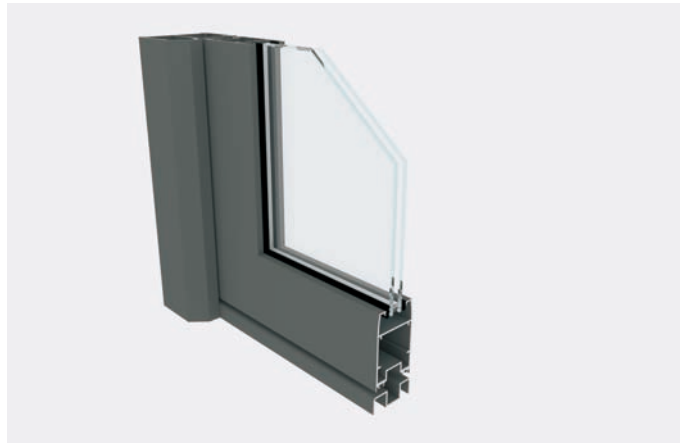
**76mm sliding door with flyscreen** 76系列推拉门窗带纱窗



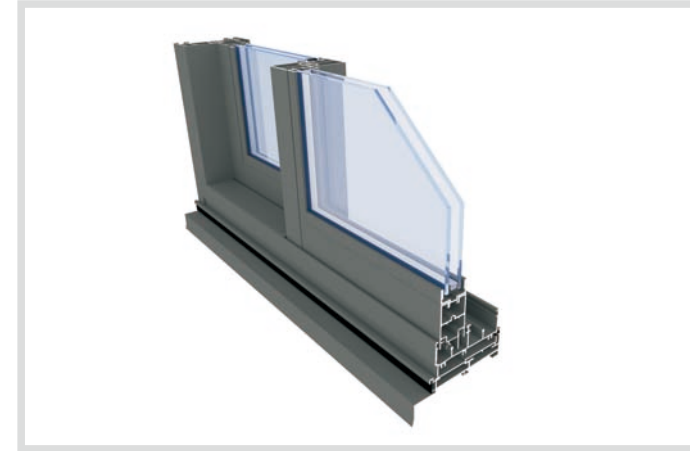
带不锈钢纱窗  
STAINLESS STEEL FLYSCREEN

带金刚纱窗  
STRENGTHEN MESH FLYSCREEN

**70mm bi-folding door** 70系列折叠门



**100mm sliding door** 100系列推拉门窗



**100mm casement door** 100系列平开门



**100mm fixed window** 100系列固定窗





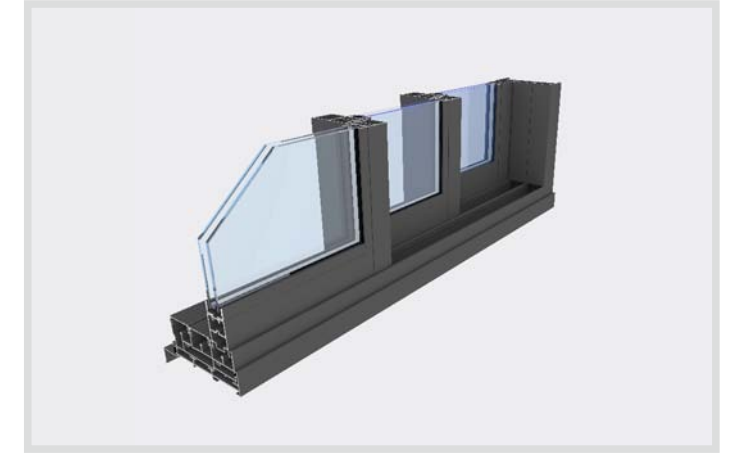
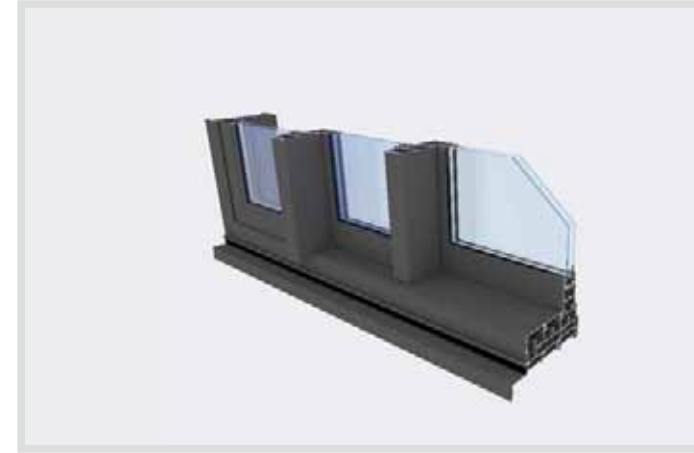
**100mm awning window**

100系列手摇悬窗



**150mm sliding door**

150系列推拉门窗



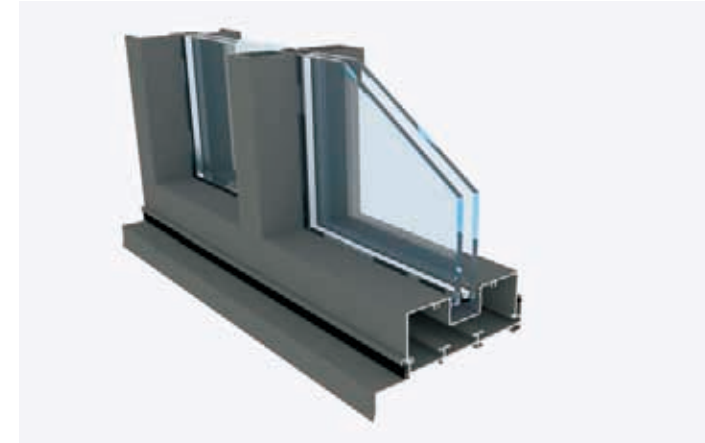
**150mm awning window**

150手摇悬窗



**150mm fixed**

150系列固定

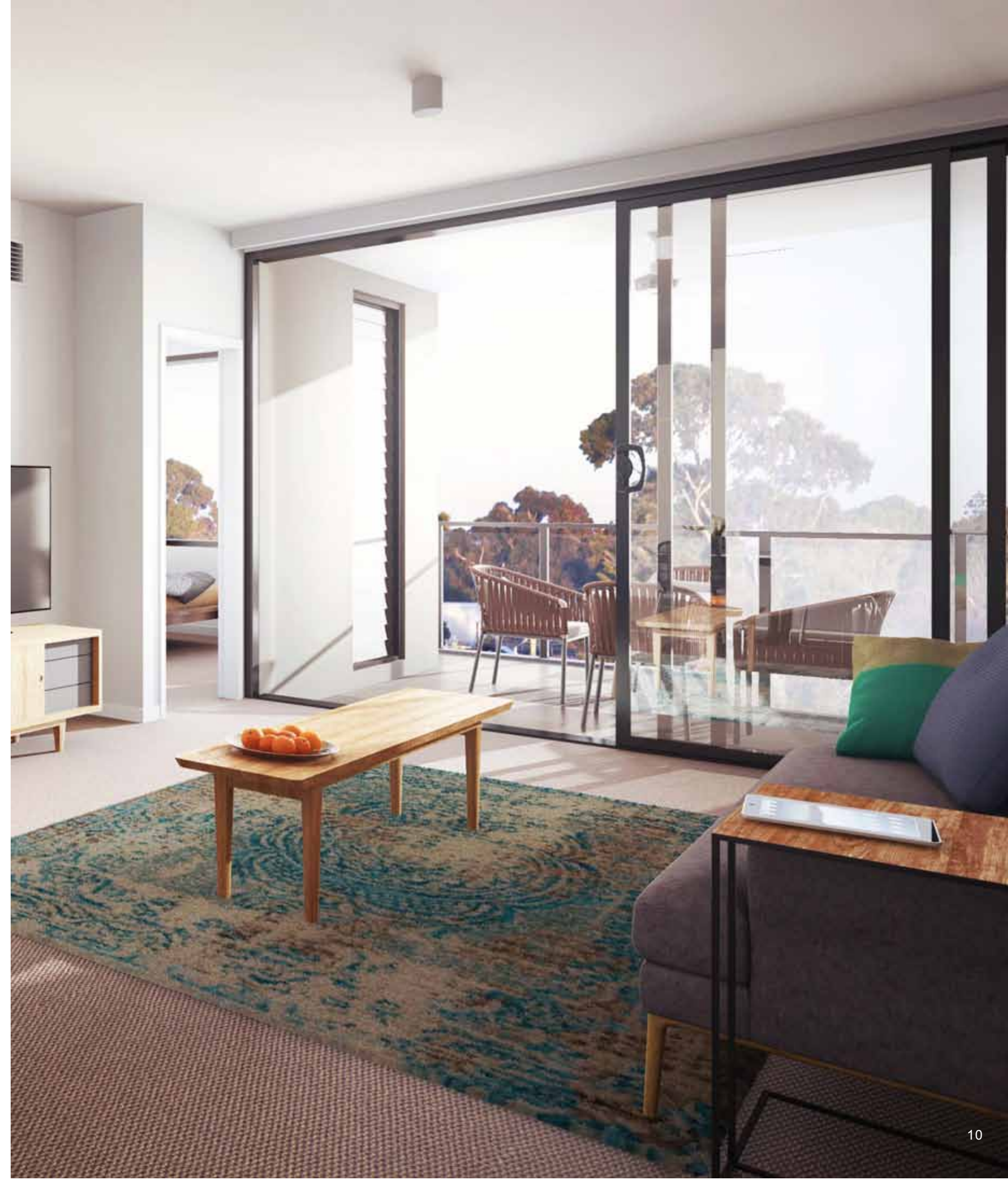




# 澳洲铝窗标准化选型表

## Aluminum Door&Window Selection Menu

Application	Window Type	Item code	Frame width	Installation Method	Glass	Hardware	Surface Finish	Flyscreen
residential application	Awning& Fixed		76mm	with timber reveal	6.38mm/10.38mm	Doric/Kinglong	Black/White/Grey	Y
			76mm	sub-head&sub-sill	6.38mm/10.38mm	Doric/Kinglong	Black/White/Grey	Y
			76mm	building in tie	6.38mm/10.38mm	Doric/Kinglong	Black/White/Grey	Y
			100mm	with timber reveal	6.38mm/10.38mm	Doric/Kinglong	Black/White/Grey	Y
	Sliding		76mm	with timber reveal	10.38mm/5+6A+5	Doric/Kinglong	Black/White/Grey	Y
			76mm	sub-head&sub-sill	10.38mm/5+6A+5	Doric/Kinglong	Black/White/Grey	Y
			76mm	building in tie	10.38mm/5+6A+5	Doric/Kinglong	Black/White/Grey	Y
			100mm	with timber reveal	10.38mm/5+6A+5/5+12A+5	Doric/Kinglong	Black/White/Grey	Y
			100mm	sub-head&sub-sill	10.38mm/5+6A+5/5+12A+5	Doric/Kinglong	Black/White/Grey	Y
	Casement door		100mm	with timber reveal	10.38mm/5+6A+5/5+12A+5	Doric/Kinglong	Black/White/Grey	N
		100mm	sub-head&sub-sill	5+6A+5/5+12A+5	Doric/Kinglong	Black/White/Grey	N	
Bi-fold door		70mm	with sub-sill	10.38mm/5+6A+5	Doric/Kinglong	Black/White/Grey	N	
commercial application	Awning& Fixed		100mm	sub-head&sub-sill	5+6A+5/5+12A+5	Doric/Kinglong	Black/White/Grey	Y
			150mm	sub-head&sub-sill	5+6A+5/5+12A+5	Doric/Kinglong	Black/White/Grey	Y
	Sliding		100mm	sub-head&sub-sill	5+6A+5/5+12A+5	Doric/Kinglong	Black/White/Grey	Y
			150mm	sub-head&sub-sill	5+6A+5/5+12A+5	Doric/Kinglong	Black/White/Grey	Y





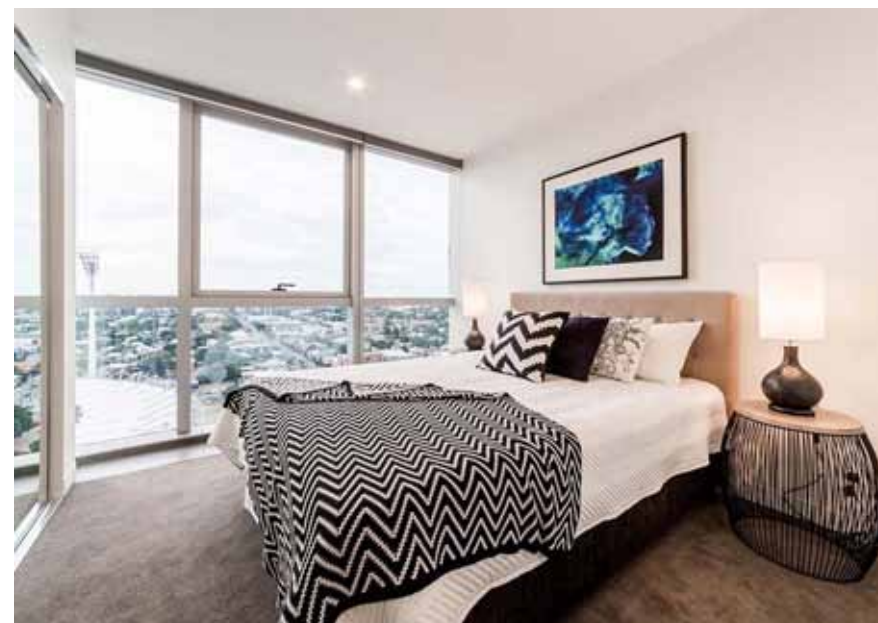
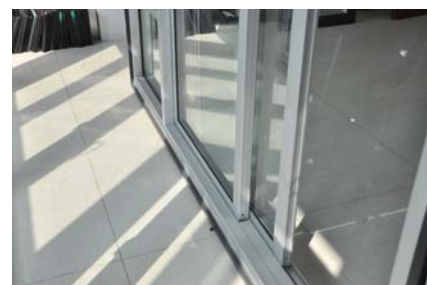


产品配置

单铝型材  
 型材厚度:2.0MM  
 表面处理:喷涂黑色,白色,灰色  
 玻璃:5+6A+5钢化清玻  
 配件:D型把手

Product Specification

Single Aluminum  
 Profile Thickness: 2.0mm  
 Glass: 5+6A+5 Tempered Clear Glass  
 Sub-sill and sub-head contribute to easier installation.  
 Complete compliance Australia Certificaton-AS2047





铝合金系统门窗(二)  
Systematic Aluminium Door&Window





# LIFT-SLIDING DOOR 提升推拉门

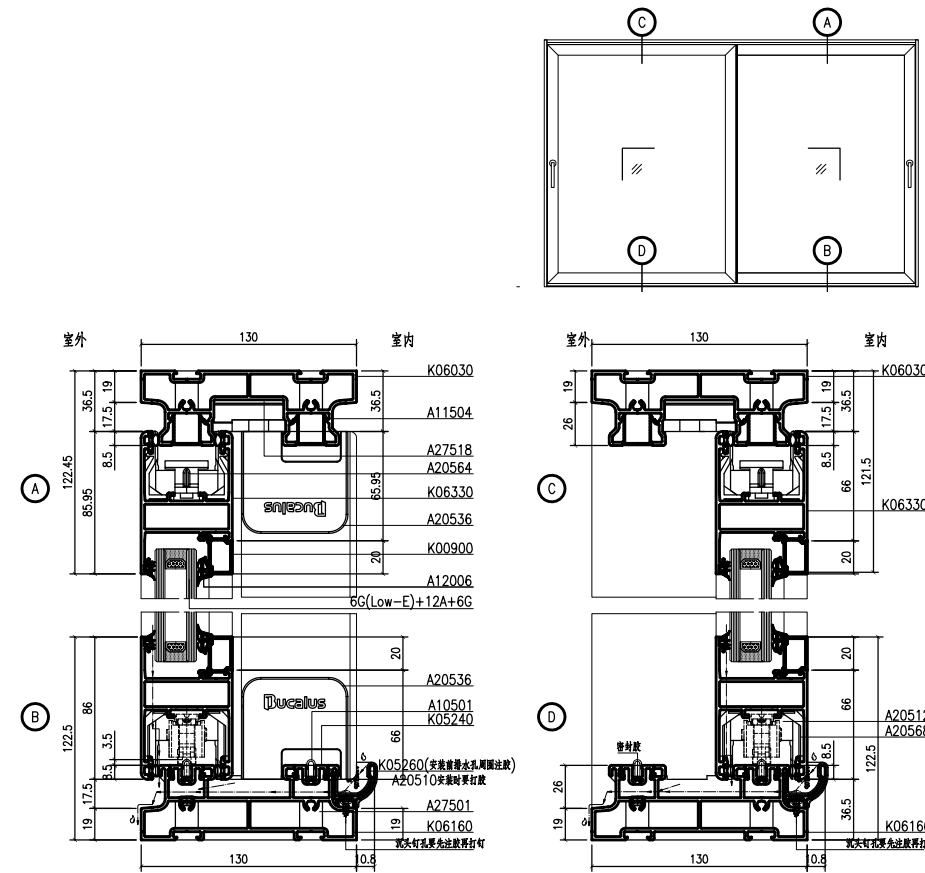


## 产品配置

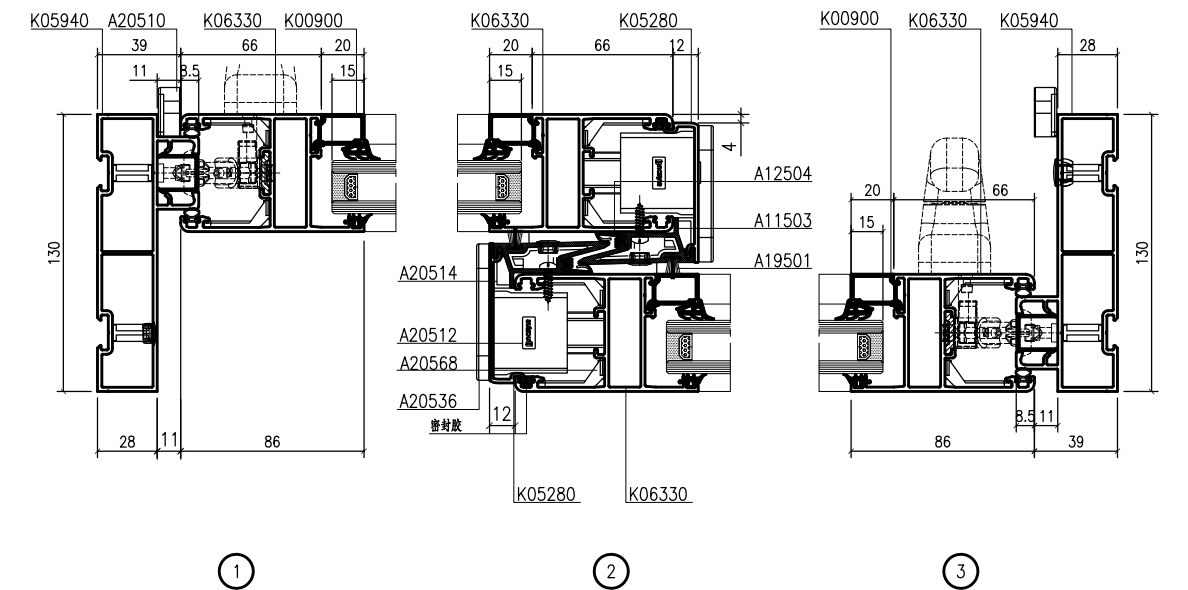
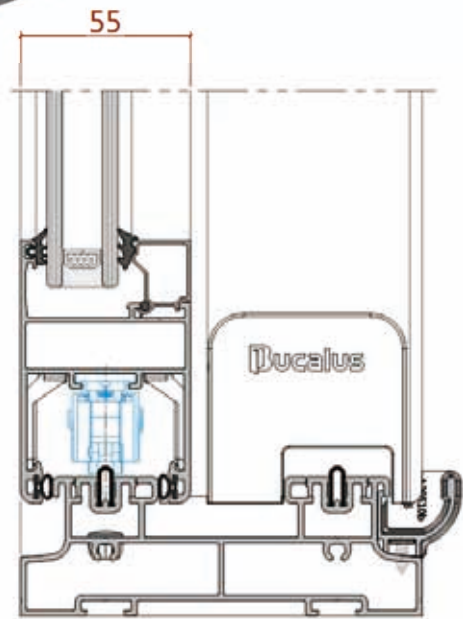
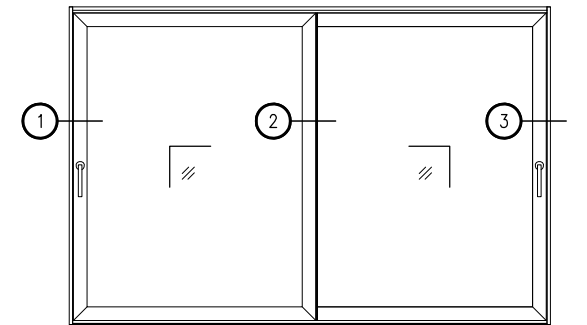
型材厚度: 2.0MM  
 表面处理: 氟碳喷涂  
 玻璃: 6+9A+6 钢化清玻

## Specifications

Alu thickness: 2.0MM  
 Surface Finsh: Fluorine carbon spraying  
 Glass: 6+9A+6 IGU tempered clear  
 Hardware: Germany Brand



1. 本产品采用的贝克洛高性能系统门窗。
2. 本产品门型材主受力壁厚为2.0mm、窗型材主受力壁为1.5mm。
3. 本产品表面处理为氟碳三涂。
4. 本产品五金采用贝克洛专用原装进口五金。





## CASEMENT DOOR 平开门

### 产品配置

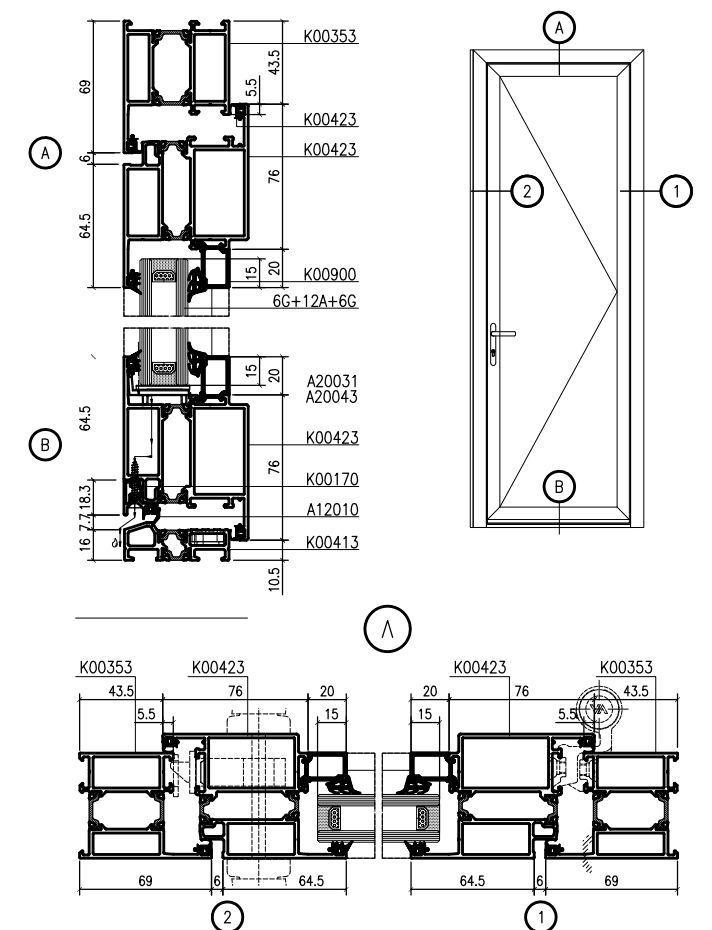
型材厚度: 2.0MM  
 表面处理: 氟碳喷涂  
 玻璃: 6+9A+6 钢化清玻

### Specifications

Alu thickness: 2.0MM  
 Surface Finish: Fluorine carbon spraying  
 Glass: 6+9A+6 IGU tempered clear  
 Hardware: Germany Brand



1. 本产品采用的贝克洛高性能系统门窗。
2. 本产品门型材主受力壁厚为2.0mm、窗型材主受力壁为1.5mm。
3. 本产品表面处理为氟碳三涂。
4. 本产品五金采用贝克洛专用原装进口五金。
5. 本产品隔热条采用德国原装进口隔热条。







## 90mm SLIDING DOOR

## 90系列推拉门

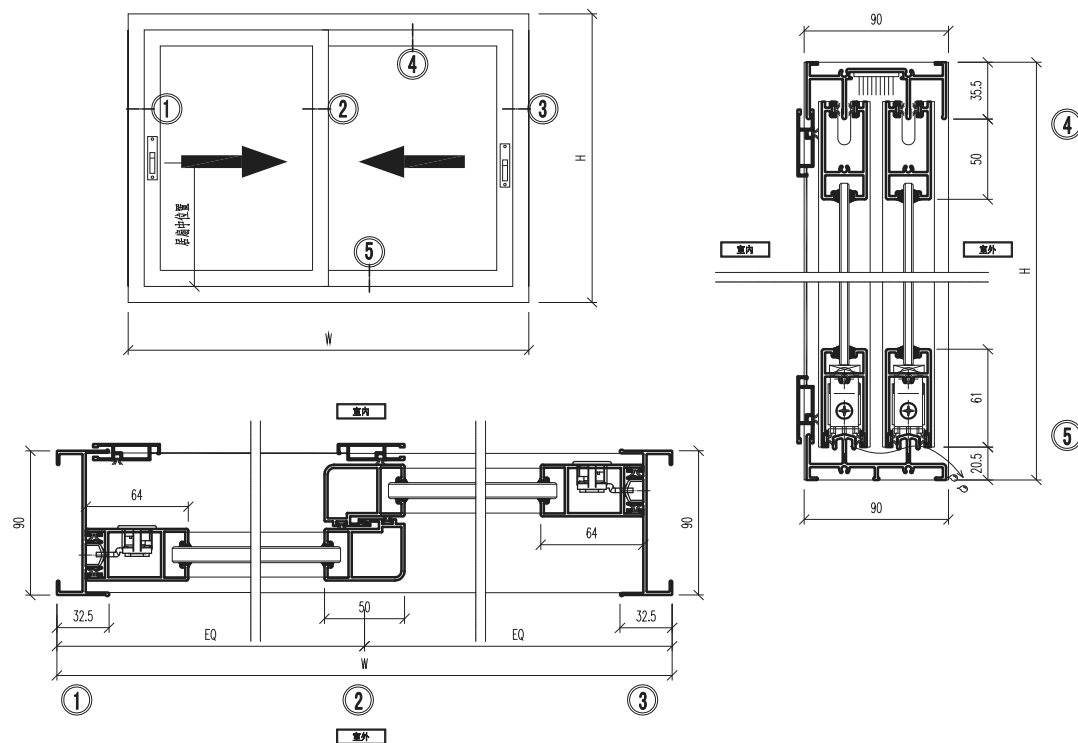


### 产品配置

单铝型材  
型材厚度:1.4MM  
表面处理:喷涂黑色,白色,灰色  
玻璃:6mm钢化清玻  
配件:平面勾锁,单滑轮

### Product Specification

Single Aluminum  
Profile Thickness: 1.4mm  
Color: Powder Coat, Black, White, Grey  
Window Width: 1150-1800mm  
Window Height: 1250-2100mm  
Glass: 6mm Tempered Clear Glass  
Hardware: hook lock, single pulley  
Nylon or stainless steel fly screen



## 140系列提升推拉门 140mm LIFT-SLIDING DOOR





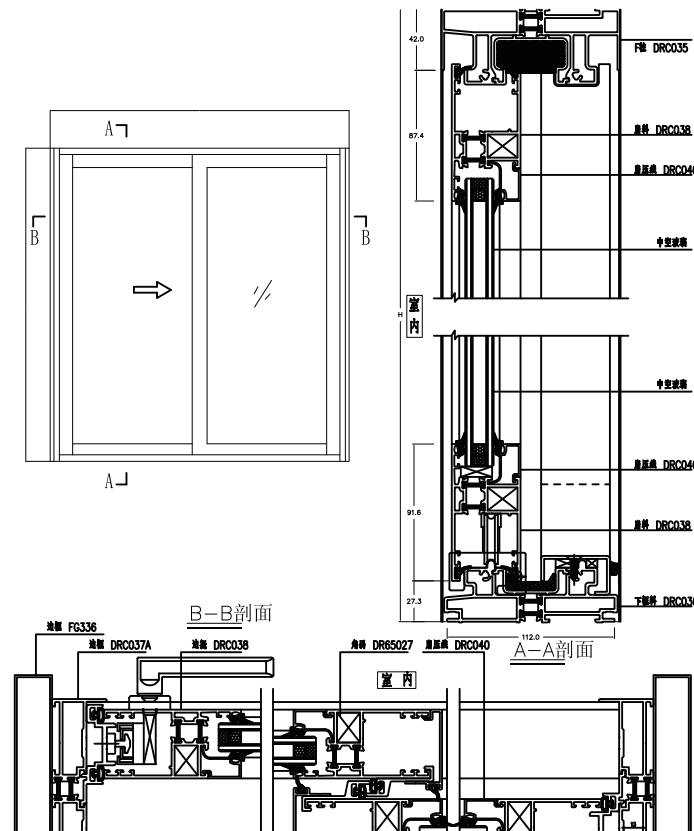


产品配置

断桥型材  
 型材厚度:2.0MM  
 表面处理:灰色粉末喷涂  
 玻璃:6+16A+6 钢化清玻  
 配件:德国丝吉利娅配件

Specification

Alu thickness:2.0MM  
 Surface Finsh:Grey Powder Coat  
 Glass:6+16A+6 IGU tempered clear  
 Hardware: Germany SIEGENIA



产品配置

单铝型材  
 型材厚度:1.0MM  
 表面处理:灰色喷涂  
 玻璃:5mm钢化玻璃  
 配件:平面勾锁 带防蚊纱窗

Specification

Single aluminum  
 Grey powder coating  
 Aluminum profile thickness: 1.0mm  
 5mm tempered clear glass  
 With hook lock  
 With fly screen





#### 产品配置

单铝型材  
型材厚度:1.2MM  
表面处理:氧化银色  
玻璃:6mm钢化清玻

#### Product Specification

Single aluminum  
Clear Anodized  
Aluminum profile thickness: 1.2mm  
6mm tempered clear glass  
With fly screen



#### 产品配置

单铝型材  
型材厚度:1.4MM  
表面处理:黑色喷涂  
玻璃:6mm 钢化清玻  
配件:带防蚊纱窗

#### Specification

Single aluminum  
Black powder coating  
Aluminum profile thickness: 1.4mm  
6mm tempered clear glass  
With fly screen





产品配置

单铝型材  
 型材厚度:1.0MM  
 表面处理:白色或灰色喷涂  
 玻璃:5mm非钢化玻璃  
 配件:月牙锁  
 带防蚊纱窗

Specification

Single aluminum  
 White or grey powder coating  
 Aluminum profile thickness: 1.0mm  
 5mm non-tempered glass  
 CRESCENT LOCK  
 With fly screen



产品配置

单铝型材  
 型材厚度:1.2MM  
 表面处理:白色喷涂  
 玻璃:5mm 钢化清玻  
 配件:月牙锁

Specification

Single aluminum  
 White powder coating  
 Aluminum profile thickness: 1.2mm  
 5mm tempered glass  
 CRESCENT LOCK





产品配置

单铝型材  
型材厚度:1.4MM  
表面处理:喷涂黑色,白色,灰色  
整体窗宽度:1150-1800mm  
整体窗高度:1250-2100mm  
玻璃:6mm钢化清玻  
配件:平面勾锁,单滑轮  
辅料:高档毛条,胶条  
带纱窗-尼龙和不锈钢推拉纱网

Product Specification

Single Aluminum  
Profile Thickness: 1.4mm  
Color: Powder Coat,Black,White,Grey  
Window width: 1150-1800mm  
Window Height: 1250-2100mm  
Glass: 6mm Temper Clear Glass  
Hardware: hook lock, single pulley  
Nylon or stainless steel fly screen



产品配置

单铝型材  
型材厚度:1.5MM  
表面处理:白色喷涂  
玻璃:6mm 钢化清玻

Specification

Single aluminum  
Clear Anodized  
Aluminum profile thickness: 1.5mm  
6mm tempered clear glass



100mm sliding window

100系列推拉窗



#### 产品配置

单铝型材  
型材厚度:0.8MM  
表面处理:白色喷涂  
玻璃:5mm钢化清玻  
配件:平面勾锁,单滑轮  
带纱窗

#### Specification

Single aluminum  
White powder coating  
Aluminum profile thickness: 1.4mm  
5mm tempered glass  
CRESCENT LOCK  
With fly screen

铝合金平开门  
Aluminium Casement Door



100mm CASEMENT DOOR

100系列平开门

#### 产品配置

单铝型材  
型材厚度:2.0MM  
玻璃:5+6A+5 钢化清玻

#### Specification

Aluminium profile thickness 2.0mm  
glass 5+6A+5 tempered clear glass





产品配置

单铝型材  
型材厚度:2.0MM  
表面处理:白色喷涂  
玻璃:5mm钢化镀膜玻璃  
配件:平面勾锁,单滑轮  
带纱窗

Specification

Alu thickness: 2.0MM  
Surface Finsh: White Powder Coat  
Glass: 5mm Green reflective Glass  
Hardware: China Brand  
With aluminium cladding,easier installation.



产品配置

单铝型材  
型材厚度:1.2MM  
系列:38mm  
表面处理:白色喷涂  
玻璃:5mm钢化清玻  
配件:七字执手

Specification

Single Aluminum  
Frame width: 38mm  
Profile Thickness: 1.2mm  
Color: white powder coating  
Black and grey can be the options  
Glass: 5mm Temper Clear Glass  
Hardware: Handle of "7" shape



产品配置

单铝型材  
 型材厚度:1.4MM  
 系列: 50mm  
 玻璃: 6mm 钢化清玻  
 方形玻璃压线  
 配件: 黑色把手+摩擦铰链

Product Specification

Single Aluminum  
 Profile Thickness: 1.4mm  
 Color: white powder coating  
 Glass: 6mm Temper Clear Glass  
 Square glass bead  
 Hardware: Black handle+Friction stay

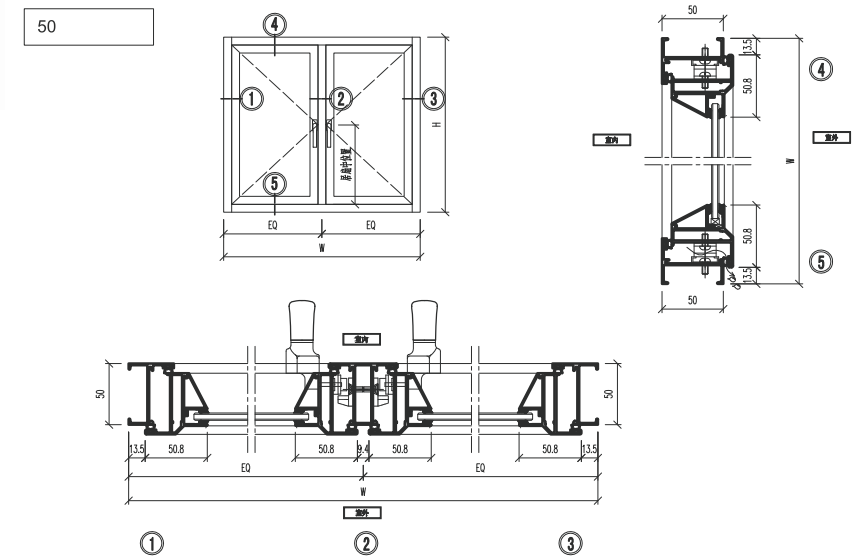


产品配置

单铝型材  
 型材厚度:1.4MM  
 系列: 50mm  
 三角形玻璃压线  
 玻璃: 6mm 钢化清玻  
 配件: 黑色把手+摩擦铰链

Specification

Single Aluminum  
 Profile Thickness: 1.4mm  
 Color: Wood Grain Color  
 Glass: 6mm Temper Clear Glass  
 Triangle glass bead  
 Hardware: Black handle+Friction stay







产品配置

单铝型材  
 型材厚度:1.4MM  
 系列 : 50mm  
 玻璃 : 6+9A+6mm钢化清玻  
 配件 : 黑色把手+手摇式铰链

Product Specification

Casement window-Outward Opening  
 Single Aluminum  
 Profile Thickness: 1.4mm  
 Color: Wood Grain Color  
 Glass: 6+9A+6mm Tempered Clear  
 Hardware : Black handle+Chain winder operator



产品配置

单铝型材  
 型材厚度:1.4MM  
 系列 : 55mm  
 弧形玻璃压线  
 玻璃 : 5+6A+5mm 钢化清玻  
 配件 : 黑色把手+摩擦铰链

Product Specification

Single Aluminum  
 Profile Thickness: 1.4mm  
 Color: Grey Powder Coating  
 Glass: 5+6A+5mm Tempered Clear  
 Curved glass bead  
 Hardware : Black handle+Friction stay

**50mm Casement Window(Wood Grain)** 50系列固定+平开窗 (木纹)



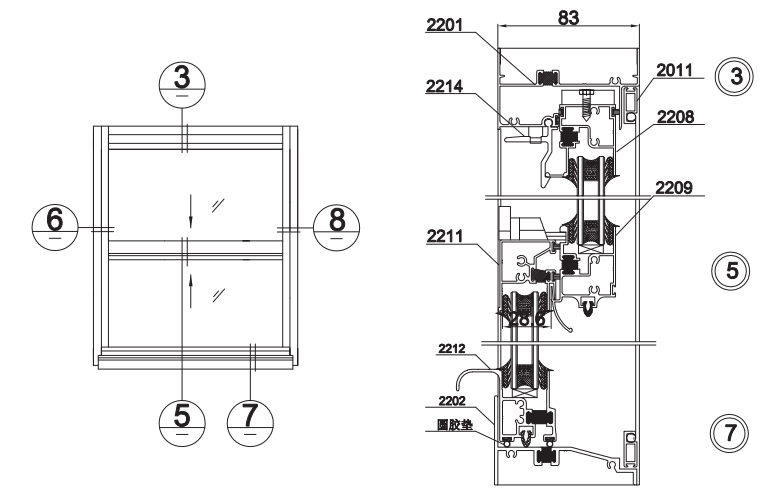
**产品配置**

单铝型材  
 型材厚度:1.4MM  
 系列: 50mm  
 方形玻璃压线  
 玻璃: 6mm 钢化清玻  
 配件: 黑色把手+摩擦铰链

**Product Specification**

Single Aluminum  
 Profile Thickness: 1.4mm  
 Color: Wood Grain Color  
 Glass: 6mm Temper Clear Glass  
 Square glass bead  
 Hardware : Black handle+Friction stay

**85mm double hung window-America System** 85mm提拉窗-美国系统

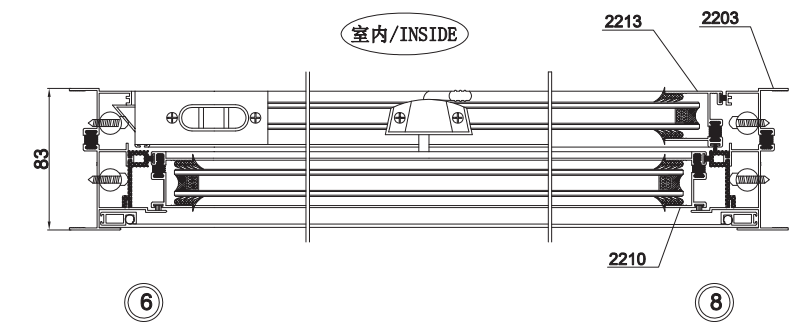


**产品规格**

隔热断桥型材  
 型材厚度:2.0MM  
 表面处理: 白色或灰色喷涂  
 玻璃: 5+6A+5mm 钢化清玻

**Product Specification**

Thermal break aluminum  
 White or grey powder coating  
 Aluminum profile thickness: 2.0mm  
 5+6A+5 tempered clear glass





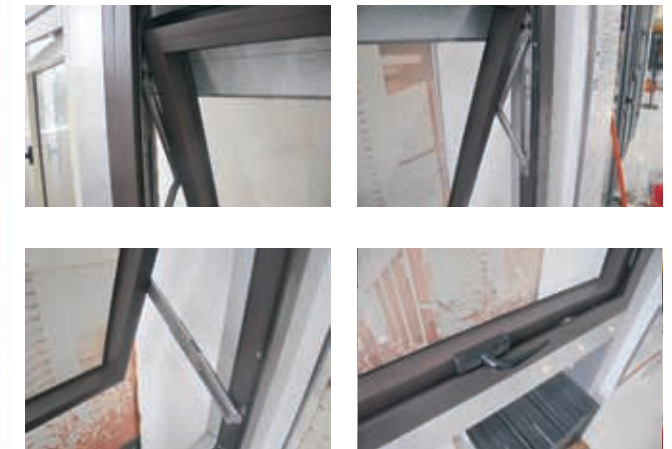


产品配置

单铝型材  
 型材厚度:1.4MM  
 系列 : 50mm  
 弧形玻璃压线  
 玻璃 : 6mm 钢化清玻  
 配件 : 黑色把手+摩擦铰链

Product Specification

Single Aluminum  
 Profile Thickness: 1.4mm  
 Color:Brown Powder Coating  
 Glass: 6mm Tempered Clear  
 Curved glass bead  
 Hardware : Black handle+Friction stay

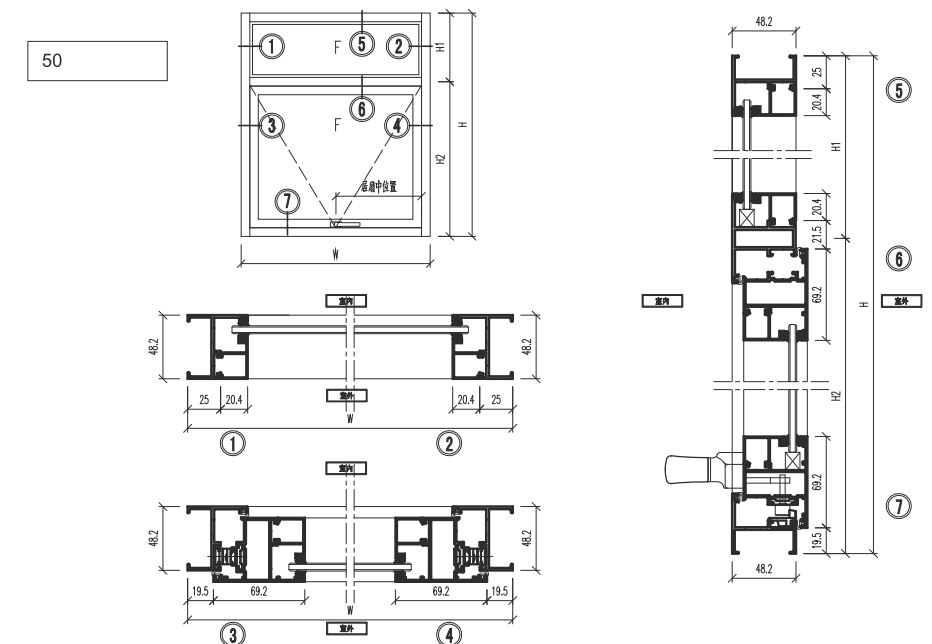


产品配置

单铝型材  
 系列 : 50mm  
 型材厚度:1.4MM  
 玻璃 : 6mm 钢化清玻  
 弧形玻璃压线  
 配件 : 黑色把手+摩擦铰链

Product Specification

Single Aluminum  
 Profile Thickness: 1.4mm  
 Color:Brown Powder Coating  
 Glass: 6mm Tempered Clear  
 Curved glass bead  
 Hardware : Black handle+Friction stay





产品配置

单铝型材  
系列100mm  
型材厚度:1.4MM  
玻璃 : 5+6A+5钢化清玻  
可拆卸式纱窗

Product Specification

Chain-winder mechanism  
Sub-sill and Sub-head contribute easier installation.  
With lock and key  
Glass:5+6A+5 Tempered Clear  
With build-in fly screen  
The fly screen can be removable



产品配置

单铝型材  
系列100mm  
型材厚度:1.4MM  
玻璃 : 5+6A+5钢化清玻  
可拆卸式纱窗

Product Specification

Chain-winder mechanism  
Sub-sill and Sub-head contribute easier installation.  
With lock and key  
Glass:5+6A+5 Tempered Clear  
With build-in fly screen  
The fly screen can be removable





## 70 MM Bi-Folding Door

70系列折叠门

### 产品配置

单铝型材  
高质坚朗配件或德国GU/Roto配件  
标准多点锁系统  
单玻双玻可选  
外侧轨道系统保证尘沙的易于清洁  
轻度推拉系统易于操作  
顶级滑轮配件保证顺畅，无故障操作

### Specification

single aluminium profile  
height of door 2100-2300mm  
width of door 2400-3600mm  
High quality kinlong hardware or Germany GU/Roto designed  
mult-points locking as standard  
single or double glass available  
Out board track system for easy cleaning of sand and grit  
Low force sliding system for easy operation  
Top-rolling hardware for smooth, trouble free operation



**210mm Shutter Casement Window-inward opening** 210系列卷帘一体平开窗



**产品规格**

单铝型材  
表面处理：白色或灰色喷涂  
型材厚度:1.4mm  
玻璃：5+6A+5mm钢化玻璃  
带卷帘设计

**Specification**

Single aluminum  
White or grey powder coating  
Aluminum profile thickness: 1.4mm  
5+6A+5mm tempered glass  
With shutter design

**185mm Shutter Sliding Window-inward opening** 185系列卷帘一体推拉窗



**产品规格**

单铝型材  
表面处理：白色或灰色喷涂  
型材厚度:1.4mm  
玻璃：6+9A+6mm钢化玻璃  
带卷帘设计

**Specification**

Single aluminum  
White or grey powder coating  
Aluminum profile thickness: 1.4mm  
6+9A+6mm tempered glass  
With shutter design

Sliding Window with Electronic or Manual Shutter  
The Electronic and manual shutter are both available  
The shutter is not only a type of shade, but also insulates heat and increases the burglar-resisting, the built-in flyscreen is available.

Alu profile thickness:1.4mm  
Shade plate:38mm





**电动中空百叶固定窗/隔断**  
**玻璃6+27A+6mm**  
 Automatic build-in shutter  
 Fixed window design  
 Can be use as the glass partition

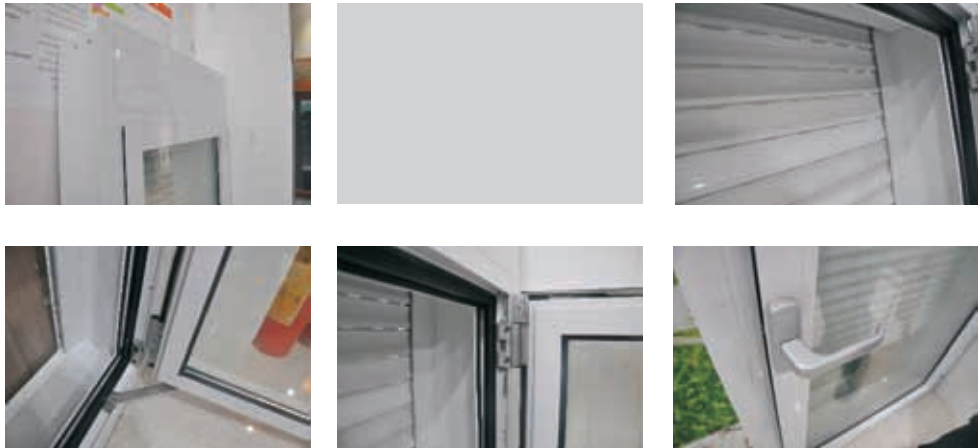
**185mm Shutter Casement Window-inward opening** 185系列卷帘平开窗

**产品规格**

单铝型材  
 表面处理：白色或灰色喷涂  
 型材厚度:1.4mm  
 玻璃：6+27A+6mm钢化玻璃  
 带卷帘设计

**Specification**

Single aluminum  
 White or grey powder coating  
 Aluminum profile thickness: 1.4mm  
 6+27A+6mm tempered glass  
 With shutter design





铝合金百叶 Aluminium Louver  
铝合金格栅 Aluminium Grille  
玻璃百叶 Glass Louver





## Aluminium Louver (Fixed blade)

铝合金百叶 (固定式叶片)



### 产品规格

铝合金喷涂可根据工程需求定制  
叶片间距可根据设计需求定制  
叶片厚度1.0mm  
框体厚度1.4MM

### Specification

Aluminium powder coating customized on request  
Blade space can be customized  
Aluminium profile thickness:  
Blade thickness : 1.0mm  
Aluminium frame:1.4 mm

## Aluminium European-style Louver (Movable blade)

铝合金欧式百叶 (活动式玻璃叶片)



### 产品规格

铝合金喷涂可根据工程需求定制  
叶片间距可根据设计需求定制  
玻璃叶片厚度4mm磨砂玻璃  
框体厚度2.0MM

### Specification

Aluminium powder coating customized on request  
Glass blade space can be customized  
Glass blade thickness 4mm frosted glass  
Aluminium frame profile thickness 2.0mm





**Aluminum Glass Louver (Movable Glass blade)** 铝合金玻璃百叶 (活动式玻璃叶片)



**产品规格**

铝合金喷涂可根据工程需求定制  
叶片间距可根据设计需求定制  
玻璃叶片厚度4mm钢化清玻  
框体厚度1.4MM

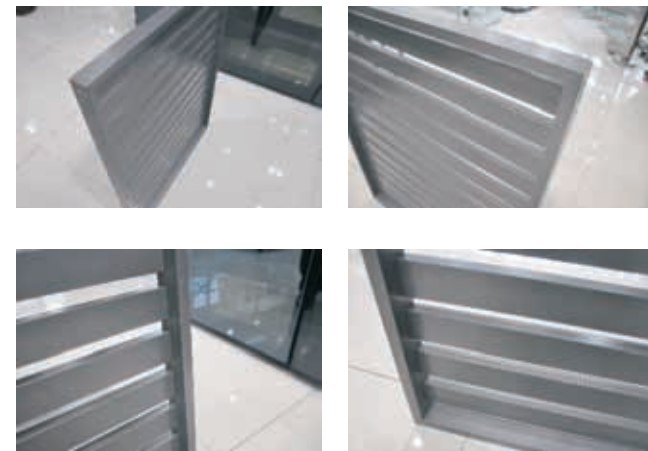
**Specification**

Aluminum powder coating customized on request  
Glass blade space can be customized  
Glass blade thickness 4mm tempered clear glass  
Aluminum frame profile thickness 1.4mm



## Aluminium Grille (Fixed blade)

铝合金格栅 (固定式叶片)



### 产品规格

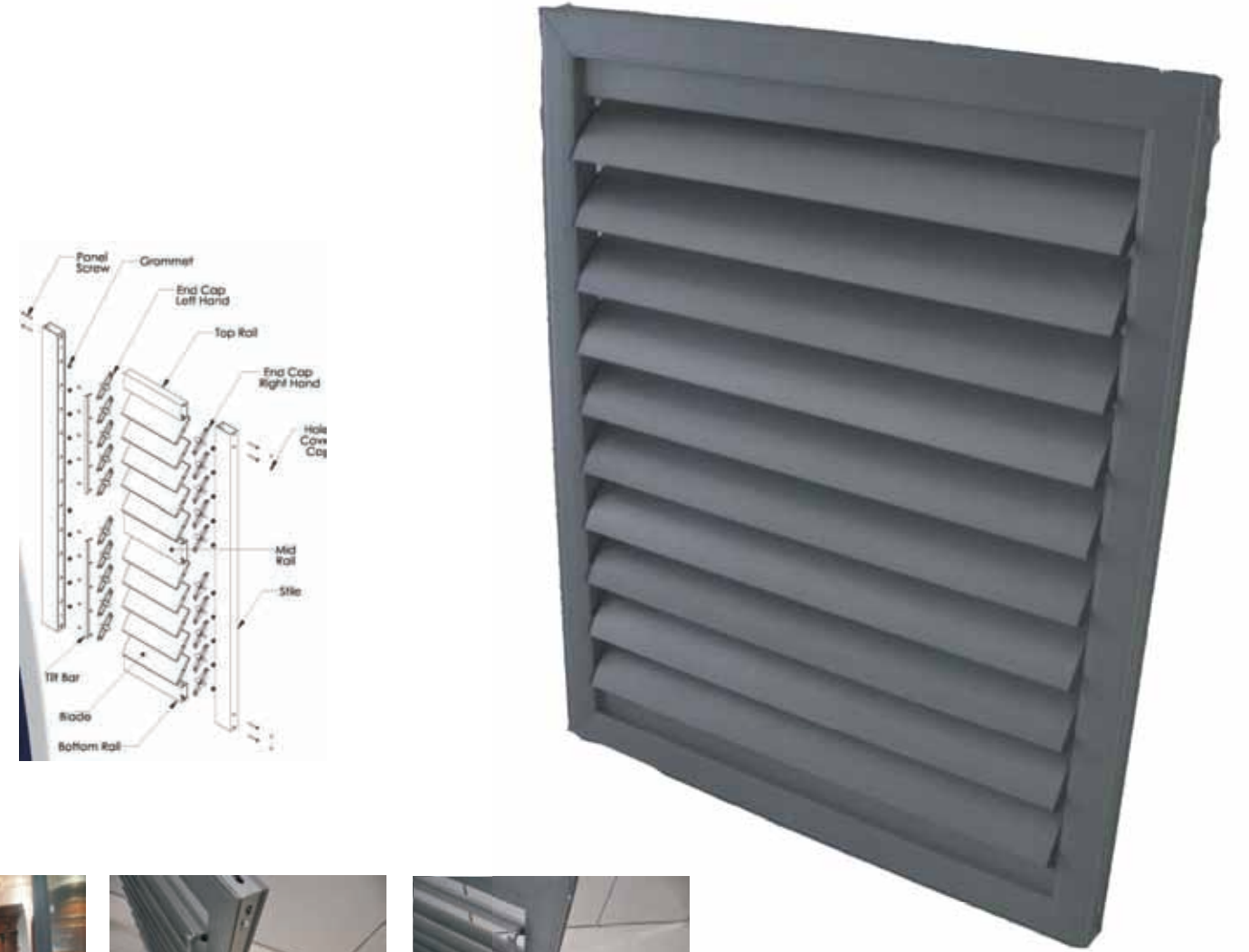
铝合金方通  
铝通间距可根据设计需求定制  
铝通厚度1.2MM/1.0mm  
框体厚度1.4MM

### Specification

Fixed grid square tube  
Grid space can be customized  
Aluminium profile thickness:  
Grid square tube 1.2mm or 1.0mm  
Aluminium frame:1.4 mm

## Aluminum Louver (Movable aluminium blade)

铝合金百叶 (活动式铝合金叶片)



### 产品规格

铝合金喷涂可根据工程需求定制  
叶片间距可根据设计需求定制  
梭形叶片厚度1.2mm  
框体厚度1.4MM

### Specification

Aluminum powder coating customized on request  
Aluminium blade space can be customized  
Aluminium blade thickness 1.2mm  
Aluminum frame profile thickness 1.4mm

# Performance Data For Double-silver LOW-E Glass

# 玻璃性能参数表 GLASS PERFORMANCE DATA

Glass Specification	Reflective Color	VisibleLight			Solar Energy		U-Value				SC	SHGC	RHG (W/M2)
		Trans	Reflect		Trans	Reflect	Winter		Summer				
			Outdoor	Indoor			Air	Argon	Air	Argon			
6XEDB0179-D+12A+6C	neutral	71	11	12	36	28	1.65	1.33	1.59	1.23	0.48	0.41	313
6XEDN0175-D+12A+6C	neutral	66	10	11	34	27	1.67	1.36	1.62	1.27	0.45	0.39	299
6XEDN0169-D+12A+6C	neutral	61	13	13	30	27	1.66	1.35	1.61	1.26	0.41	0.36	273
6XDTG0155-D+12A+6C	Blue	51	26	26	22	36	1.62	1.30	1.55	1.19	0.31	0.27	206
6XDBG0145-D+12A+6C	Light Grey	42	14	17	19	26	1.65	1.33	1.59	1.23	0.29	0.25	197
6XDBG0140C-D+12A+6C	Blue Grey	37	28	12	17	40	1.67	1.36	1.62	1.28	0.25	0.21	168
6XDBG0150C-D+12A+6C	Blue Grey	43	27	12	19	40	1.64	1.33	1.59	1.23	0.27	0.24	184
6XDBG0160C-D+12A+6C	Blue Grey	51	19	11	24	37	1.67	1.37	1.62	1.28	0.33	0.29	222
6XDTG0160-D+12A+6C	Grey	53	20	17	25	27	1.64	1.33	1.58	1.23	0.36	0.31	238
6XD123964-01-D+12A+6C	Light Grey	49	15	16	23	28	1.67	1.36	1.61	1.27	0.33	0.29	221
6XD45-01-D+12A+6C	Grey	43	21	19	20	31	1.66	1.36	1.61	1.26	0.30	0.26	201
6XEDB0279-D+12A+6C	Green	60	9	11	25	8	1.65	1.33	1.59	1.23	0.37	0.32	245
6XEDN0275-D+12A+6C	Green	56	9	11	23	8	1.67	1.27	1.62	1.36	0.35	0.31	234
6XEDN0269-D+12A+6C	Green	52	11	13	21	9	1.66	1.35	1.61	1.26	0.33	0.28	219
6XDTG0255-D+12A+6C	Blue Green	43	20	26	16	13	1.62	1.30	1.55	1.19	0.26	0.23	178
6XDTG0245-D+12A+6C	Light Green	35	11	17	14	9	1.65	1.33	1.59	1.23	0.25	0.21	167
6XDBG0240C-D+12A+6C	Blue Green	31	21	12	12	14	1.67	1.36	1.62	1.28	0.22	0.19	153
6XDBG0250C-D+12A+6C	Blue Green	36	20	12	14	13	1.65	1.33	1.59	1.23	0.24	0.21	165
6XDBG0260C-D+12A+6C	Blue Green	43	15	11	17	11	1.67	1.37	1.62	1.28	0.28	0.24	190
6XDTG0260-D+12A+6C	Green	45	16	17	18	10	1.64	1.33	1.58	1.23	0.29	0.25	195
6XD123964-02-D+12A+6C	Green	41	12	16	17	9	1.67	1.36	1.61	1.27	0.28	0.24	186
6XD45-02-D+12A+6C	Green	37	16	19	15	11	1.66	1.36	1.61	1.26	0.25	0.22	172
6XEDB2379-D+12A+6C	Light Grey	36	6	10	19	12	1.65	1.33	1.59	1.23	0.31	0.27	206
6XEDN2375-D+12A+6C	Light Grey	33	6	10	18	11	1.67	1.36	1.62	1.27	0.30	0.26	199
6XEDN2369-D+12A+6C	Light Grey	31	6	12	16	11	1.66	1.35	1.61	1.26	0.27	0.24	184
6XDTG2355-D+12A+6C	Grey	26	10	25	11	14	1.62	1.30	1.55	1.19	0.21	0.18	147
6XDTG2345-D+12A+6C	Grey	21	7	17	10	10	1.65	1.33	1.59	1.23	0.20	0.18	140
6XDBG2340C-D+12A+6C	Grey	19	10	12	9	15	1.67	1.36	1.62	1.28	0.19	0.16	130
6XDBG2350C-D+12A+6C	Grey	22	10	12	10	15	1.65	1.33	1.60	1.23	0.20	0.17	137
6XDBG2360C-D+12A+6C	Grey	26	8	10	13	14	1.67	1.37	1.63	1.28	0.23	0.20	158
6XDTG2360-D+12A+6C	Grey	27	8	16	13	11	1.64	1.33	1.58	1.23	0.24	0.21	164
6XD123964-23-D+12A+6C	Grey	24	7	15	12	11	1.67	1.36	1.61	1.27	0.23	0.20	156
6XD45-23-D+12A+6C	Grey	22	8	19	11	13	1.66	1.36	1.61	1.26	0.21	0.18	146
6XEDB0379-D+12A+6C	Light Grey	51	8	11	28	15	1.64	1.33	1.59	1.23	0.38	0.33	251
6XEDN0375-D+12A+6C	Light Grey	48	8	11	27	14	1.67	1.36	1.62	1.27	0.36	0.31	240
6XEDN0369-D+12A+6C	Light Grey	44	9	13	24	15	1.66	1.35	1.61	1.26	0.33	0.29	222
6XDTG0355-D+12A+6C	Blue Grey	37	16	26	17	20	1.62	1.30	1.55	1.19	0.26	0.22	173
6XDTG0345-D+12A+6C	Light Grey	30	9	17	14	14	1.64	1.33	1.59	1.23	0.24	0.21	164
6XDBG0340C-D+12A+6C	Blue Grey	27	17	12	12	22	1.67	1.36	1.62	1.28	0.21	0.19	148
6XDBG0350C-D+12A+6C	Blue Grey	31	16	12	14	22	1.64	1.33	1.59	1.23	0.23	0.20	159
6XDBG0360C-D+12A+6C	Blue Grey	37	12	11	17	21	1.67	1.37	1.62	1.28	0.28	0.24	186
6XDTG0360-D+12A+6C	Light Grey	38	13	17	18	16	1.64	1.33	1.58	1.23	0.29	0.25	195
6XD123964-03-D+12A+6C	Light Grey	35	10	15	17	16	1.67	1.36	1.61	1.27	0.27	0.24	184
6XD45-03-D+12A+6C	Light Grey	31	13	19	15	18	1.66	1.36	1.61	1.26	0.25	0.22	170
6XEDB0079-D+12A+6C	Neutral	74	12	13	43	34	1.65	1.33	1.59	1.23	0.50	0.46	347
6XEDN0075-D+12A+6C	Neutral	63	14	13	32	34	1.66	1.36	1.61	1.27	0.43	0.37	282
6XEDN0069-D+12A+6C	Neutral	68	11	11	36	35	1.67	1.35	1.62	1.26	0.47	0.41	310
6XDTG0055-D+12A+6C	Blue	52	27	26	25	43	1.62	1.30	1.55	1.19	0.32	0.29	224
6XDTG0045-D+12A+6C	Grey	43	15	17	21	34	1.64	1.33	1.59	1.23	0.30	0.26	200
6XDBG0040C-D+12A+6C	Blue Grey	38	29	12	17	53	1.67	1.36	1.62	1.28	0.24	0.21	166
6XDBG0050C-D+12A+6C	Blue Grey	44	28	13	20	53	1.64	1.33	1.59	1.23	0.27	0.24	183
6XDBG0060C-D+12A+6C	Blue Grey	52	20	11	25	50	1.67	1.37	1.62	1.28	0.34	0.29	224
6XDTG0060-D+12A+6C	Grey	54	21	17	27	35	1.64	1.33	1.58	1.23	0.37	0.32	243
6XD123964-00-D+12A+6C	Light Grey	50	16	16	24	37	1.67	1.36	1.61	1.27	0.34	0.29	225
6XD45-00-D+12A+6C	Grey	44	22	20	22	41	1.66	1.36	1.61	1.26	0.30	0.26	204

# Performance Data For Single-silver LOW-E Glass

Glass Specification	Reflective Color	VisibleLight			Solar Energy		U-Value				SC	SHGC	RHG (W/M2)
		Trans	Reflect		Trans	Reflect	Winter		Summer				
			Outdoor	Indoor			Air	Argon	Air	Argon			
6XETN0180-D+12A+6C	neutral	72	10	11	49	18	1.85	1.57	1.85	1.56	0.65	0.56	424
6XETB0170-D+12A+6C	Blue	64	11	11	39	19	1.84	1.56	1.84	1.54	0.54	0.47	355
6XETB0160-D+12A+6C	Blue	53	17	9	34	19	1.84	1.56	1.84	1.54	0.48	0.41	314
6XETB0150-D+12A+6C	Blue Grey	44	18	9	27	21	1.84	1.56	1.84	1.54	0.40	0.35	269
6XETL0160-D+12A+6C	Blue Grey	53	29	16	33	28	1.80	1.51	1.80	1.49	0.45	0.39	300
6XETS0150-D+12A+6C	Silver Grey	44	29	12	27	28	1.76	1.47	1.75	1.43	0.39	0.34	260
6XETG0140-D+12A+6C	Silver Grey	34	27	9	21	25	1.84	1.56	1.84	1.54	0.33	0.29	224
6XETS0140-D+12A+6C	Silver Grey	36	29	9	23	27	1.80	1.51	1.80	1.49	0.34	0.30	229
6XETS0160-D+12A+6C	Light Grey	53	22	10	32	25	1.80	1.51	1.80	1.49	0.45	0.39	298
6XETG0155-D+12A+6C	Grey	49	18	9	31	20	1.85	1.57	1.85	1.56	0.45	0.39	296
6XETG0150-D+12A+6C	Grey	44	22	8	28	22	1.82	1.54	1.82	1.51	0.41	0.35	271
6XETN0280-D+12A+6C	Green	61	8	11	29	7	1.85	1.57	1.85	1.56	0.43	0.38	288
6XETB0270-D+12A+6C	Green	54	9	11	25	8	1.84	1.56	1.84	1.54	0.38	0.33	255
6XETB0260-D+12A+6C	Green	44	14	8	21	9	1.84	1.56	1.84	1.54	0.34	0.29	228
6XETB0250-D+12A+6C	Green	37	14	9	17	9	1.84	1.56	1.84	1.54	0.30	0.26	202
6XETL0260-D+12A+6C	Green	44	22	16	20	12	1.80	1.51	1.80	1.49	0.33	0.28	219
6XETS0250-D+12A+6C	Green	37	21	12	17	12	1.76	1.47	1.75	1.43	0.29	0.25	195
6XETG0240-D+12A+6C	Green	29	21	9	13	11	1.84	1.56	1.84	1.54	0.25	0.22	174
6XETS0240-D+12A+6C	Green	30	22	9	14	12	1.80	1.51	1.80	1.49	0.26	0.22	177
6XETS0260-D+12A+6C	Green	44	16	10	20	10	1.80	1.51	1.80	1.49	0.33	0.28	220
6XETG0255-D+12A+6C	Green	41	14	8	19	9	1.85	1.57	1.85	1.56	0.32	0.28	218
6XETG0250-D+12A+6C	Green	37	17	8	17	10	1.82	1.54	1.82	1.51	0.30	0.26	203
6XETS0243-D+12A+6C	Green	32	27	15	16	14	1.81	1.52	1.80	1.49	0.27	0.24	186
6XETN2380-D+12A+6C	Light Grey	36	6	10	26	9	1.85	1.57	1.85	1.56	0.41	0.35	270
6XETB2370-D+12A+6C	Grey	32	6	10	21	9	1.84	1.56	1.84	1.54	0.35	0.30	233
6XETB2360-D+12A+6C	Grey	26	7	8	18	9	1.84	1.56	1.84	1.54	0.31	0.27	211
6XETB2350-D+12A+6C	Grey	22	8	8	15	9	1.84	1.56	1.84	1.54	0.27	0.24	187
6XETL2360-D+12A+6C	Grey	26	10	15	17	11	1.80	1.51	1.80	1.49	0.30	0.26	203
6XETS2350-D+12A+6C	Grey	22	10	11	15	11	1.77	1.47	1.75	1.43	0.27	0.23	181
6XETG2340-D+12A+6C	Grey	17	10	9	11	10	1.84	1.56	1.84	1.54	0.24	0.20	164
6XETS2340-D+12A+6C	Grey	18	10	8	12	11	1.80	1.52	1.80	1.49	0.24	0.21	165
6XETS2360-D+12A+6C	Grey	26	9	10	17	11	1.80	1.52	1.80	1.49	0.30	0.26	202
6XETG2355-D+12A+6C	Grey	25	8	8	17	9	1.85	1.57	1.85	1.56	0.30	0.26	202
6XETG2350-D+12A+6C	Grey	22	9	8	15	10	1.82	1.54	1.82	1.51	0.28	0.24	188
6XETN0380-D+12A+6C	Grey	53	8	11	34	11	1.85	1.57	1.85	1.56	0.49	0.42	322
6XETB0370-D+12A+6C	Grey	47	9	11	28	11	1.84	1.56	1.84	1.54	0.42	0.36	



## Performance Data For Reflective Glass

Glass Specification	Reflective Color	VisibleLight			Solar Energy		U-Value		SC	SHGC	RHG (W/M2)
		Trans	Reflect		Trans	Reflect	Winter	Summer			
			Outdoor	Indoor			Air	Air			
6XSTY0120-D	Silver Grey	21	33	25	18	25	5.06	4.44	0.38	0.33	276
6XSTY0130-D	Silver Grey	30	28	21	25	23	4.97	4.34	0.45	0.38	316
6XSTY0140-D	Grey	40	22	10	31	17	5.11	4.50	0.52	0.45	365
6XSTY0150-D	Grey	50	22	18	45	15	5.46	4.87	0.65	0.56	448
6XSTY0165-D	Grey	65	17	20	63	11	5.72	5.15	0.81	0.70	551
6XSTB0148-D	Blue	47	16	16	39	12	5.18	4.57	0.60	0.52	415
6XSTG0148-D	Blue Grey	50	19	15	45	13	5.73	5.16	0.66	0.57	459
6XSLB0160-D	Light Blue	58	13	11	50	9	5.67	5.10	0.72	0.62	494
6XSSY0130-D	Dark Grey	30	17	26	28	13	5.37	4.78	0.52	0.44	363
6XSSY0114-D	Silver Grey	15	30	43	13	22	5.00	4.38	0.36	0.30	259
6XSTY0220-D	Green	17	24	25	10	12	5.07	4.45	0.36	0.31	263
6XSTY0230-D	Green	25	21	21	14	11	4.97	4.34	0.40	0.34	283
6XSTY0240-D	Green	33	17	10	18	9	5.11	4.50	0.44	0.38	313
6XSTY0250-D	Green	42	16	17	24	9	5.46	4.87	0.51	0.44	359
6XSTY0265-D	Green	54	14	19	33	7	5.73	5.16	0.59	0.51	414
6XSTB0248-D	Green	39	12	16	22	7	5.18	4.57	0.48	0.41	338
6XSTG0248-D	Green	42	15	15	25	8	5.73	5.16	0.52	0.45	370
6XSLB0260-D	Green	49	10	11	28	6	5.67	5.09	0.55	0.47	389
6XSSY0230-D	Green	25	13	26	15	8	5.37	4.78	0.44	0.37	312
6XSSY0214-D	Green	12	23	43	7	11	5.00	4.38	0.34	0.29	250
6XSTY2320-D	Grey	10	11	24	10	10	5.07	4.45	0.37	0.31	266
6XSTY2330-D	Grey	15	10	20	13	9	4.97	4.34	0.40	0.34	283
6XSTY2340-D	Grey	20	9	10	17	8	5.12	4.50	0.44	0.37	310
6XSTY2350-D	Grey	25	9	17	24	7	5.46	4.88	0.51	0.44	362
6XSTY2365-D	Grey	32	8	18	34	6	5.73	5.16	0.61	0.52	422
6XSTB2348-D	Grey	23	7	15	21	6	5.18	4.58	0.48	0.41	336
6XSTG2348-D	Grey	25	8	14	25	7	5.73	5.16	0.53	0.45	374
6XSLB2360-D	Grey	29	6	10	27	5	5.67	5.10	0.55	0.47	389
6XSSY2330-D	Grey	15	7	26	15	7	5.37	4.78	0.44	0.37	314
6XSSY2314-D	Grey	7	11	43	7	9	5.00	4.38	0.35	0.29	254
6XSTY0320-D	Grey	15	20	24	12	15	5.06	4.45	0.37	0.32	269
6XSTY0330-D	Grey	21	17	21	18	14	4.97	4.34	0.42	0.35	296
6XSTY0340-D	Grey	29	14	10	22	11	5.11	4.50	0.46	0.40	328
6XSTY0350-D	Grey	37	14	17	31	10	5.46	4.87	0.55	0.47	387
6XSTY0365-D	Grey	47	12	19	43	8	5.73	5.16	0.66	0.57	458
6XSTB0348-D	Grey	34	11	16	27	8	5.18	4.57	0.52	0.45	365
6XSTG0348-D	Grey	36	12	14	32	9	5.73	5.16	0.58	0.50	404
6XSLB0360-D	Grey	42	9	11	36	7	5.67	5.09	0.61	0.53	426
6XSSY0330-D	Grey	22	11	26	20	9	5.37	4.78	0.47	0.40	332
6XSSY0314-D	Grey	11	18	43	9	13	5.00	4.38	0.35	0.30	256

## 玻璃性能参数表 GLASS PERFORMANCE DATA

## Performance Data For Float Glass

Glass Specification	Reflective Color	VisibleLight			Solar Energy		U-Value		SC	SHGC	RHG (W/M2)
		Trans	Reflect		Trans	Reflect	Winter	Summer			
			Outdoor	Indoor			Air	Air			
5mm Clear	Clear	90	7	7	83	6	5.85	5.28	0.99	0.86	667
6mm Clear	Clear	89	7	7	80	6	5.81	5.25	0.97	0.84	651
8mm Clear	Clear	89	7	7	78	6	5.75	5.19	0.95	0.83	641
10mm Clear	Clear	87	7	7	74	6	5.67	5.13	0.92	0.80	621
12mm Clear	Clear	87	7	7	72	6	5.61	5.08	0.91	0.79	613
5mm French Green	Green	77	6	6	48	5	5.85	5.28	0.72	0.62	495
6mm French Green	Green	75	6	6	44	5	5.81	5.25	0.69	0.59	474
8mm French Green	Green	70	6	6	36	4	5.74	5.19	0.63	0.54	437
10mm French Green	Green	65	5	5	30	4	5.67	5.13	0.59	0.50	409
12mm French Green	Green	60	5	5	25	4	5.61	5.07	0.56	0.48	389
5mm Crystal Grey	Light Grey	68	7	7	61	6	5.85	5.28	0.82	0.71	558
6mm Crystal Grey	Light Grey	64	6	6	56	5	5.81	5.25	0.78	0.68	535
8mm Crystal Grey	Light Grey	56	6	6	48	5	5.743	5.188	0.721	0.622	495
10mm Crystal Grey	Light Grey	50	6	6	42	5	5.68	5.134	0.675	0.581	466
12mm Crystal Grey	Light Grey	44	6	6	36	5	5.615	5.078	0.632	0.543	438
5mm Euro Grey	Dark Grey	50	5	5	50	5	5.85	5.28	0.73	0.63	502
6mm Euro Grey	Dark Grey	45	5	5	44	5	5.815	5.248	0.687	0.591	474
8mm Euro Grey	Dark Grey	35	5	5	34	4	5.749	5.19	0.62	0.53	429
10mm Euro Grey	Dark Grey	26	4	4	26	4	5.674	5.128	0.56	0.48	393
12mm Euro Grey	Dark Grey	21	4	4	21	4	5.618	5.081	0.52	0.444	367
5mm Low Iron	Ultra Clear	91	8	8	89	8	5.847	5.28	1.04	0.9	695
6mm Low Iron	Ultra Clear	90	8	8	89	8	5.809	5.243	1.033	0.898	692
8mm Low Iron	Ultra Clear	90	8	8	88	8	5.74	5.19	1.03	0.89	687
10mm Low Iron	Ultra Clear	89	8	8	87	8	5.68	5.13	1.02	0.89	682
12mm Low Iron	Ultra Clear	89	8	8	86	8	5.615	5.078	1.011	0.879	677

Substrate Number:  
01 = Clear  
02 = F-Green  
23 = Euro Gray  
03 = Crystal Gray  
00 = low iron

**Remark:**  
The Data is calculated via window 5.2 which is provided by LNBL, based on ASHRAE NFRC2001 standard  
Solar spectrum: 300-2500nm, visible light is 380-780nm.  
Winter nighttime: Outdoor temperature: -18 °C, indoor temperature: 21 °C, windspeed: 5.5m/s, no sunlight.  
Summer daytime: Outdoor temperature: 32 °C, indoor temperature: 24 °C, windspeed: 2.8m/s, solar density: 783w/m'.  
The calculations are base on 1000\*1000 specimen, only for reference.