

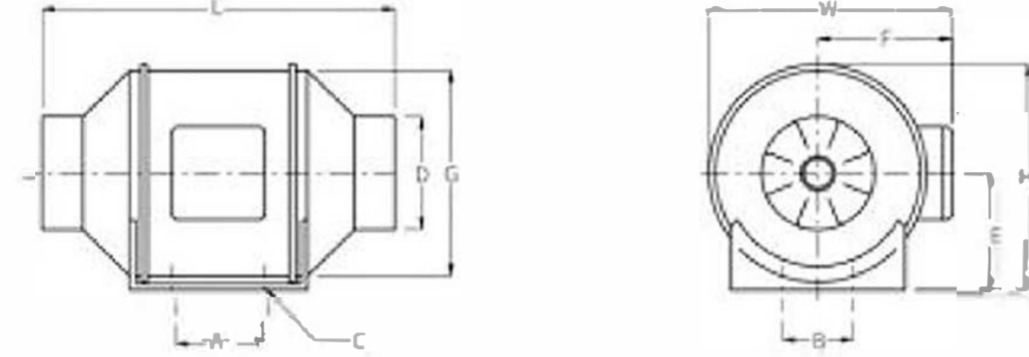
Bathroom Duct Catalog



◆ HF Standard Inline Fan



Dimensions (mm)



Technical Parameter

Model	Size	Speed	Voltage	Frequency	Current	Power	Rotated Speed	Airflow	Air Pressure	Noise
	mm		V	Hz	Amps	W	rpm	m ³ /h	Pa	dB(A)
1	100	High	220~240	50	0.12	26	2250	198	156	31
		Low			0.11	23	1850	165	131	26
		High	110~120	60	0.31	35	2250	198	156	31
		Low			0.28	30	1850	165	131	26
2	125	High	220~240	50	0.14	33	2550	284	159	32
		Low			0.13	28	1850	248	106	26
		High	110~120	60	0.35	38	2550	284	159	32
		Low			0.31	32	1850	248	106	26
3	150	High	220~240	50	0.22	54	2450	530	300	33
		Low			0.19	44	1950	410	240	29
		High	110~120	60	0.55	62	2450	530	300	33
		Low			0.45	49	1950	410	240	29
4	200	High	220~240	50	0.53	128	2450	840	352	63
		Low			0.52	123	1950	690	274	55
		High	110~120	60	1.60	165	2450	840	352	63
		Low			1.30	135	1950	690	274	55
5	250	High	220~240	50	1.20	225	2450	1405	488	66
		Low			1.75	165	1850	1064	371	58
		High	110~120	60	2.60	290	2450	1405	488	66
		Low			1.80	210	1850	1064	371	58
6	315	High	220~240	50	1.90	390	2350	2206	693	69
		Low			1.40	275	1650	1750	435	61
		High	110~120	60	3.70	412	2350	2206	693	69
		Low			3.00	330	1650	1750	435	61

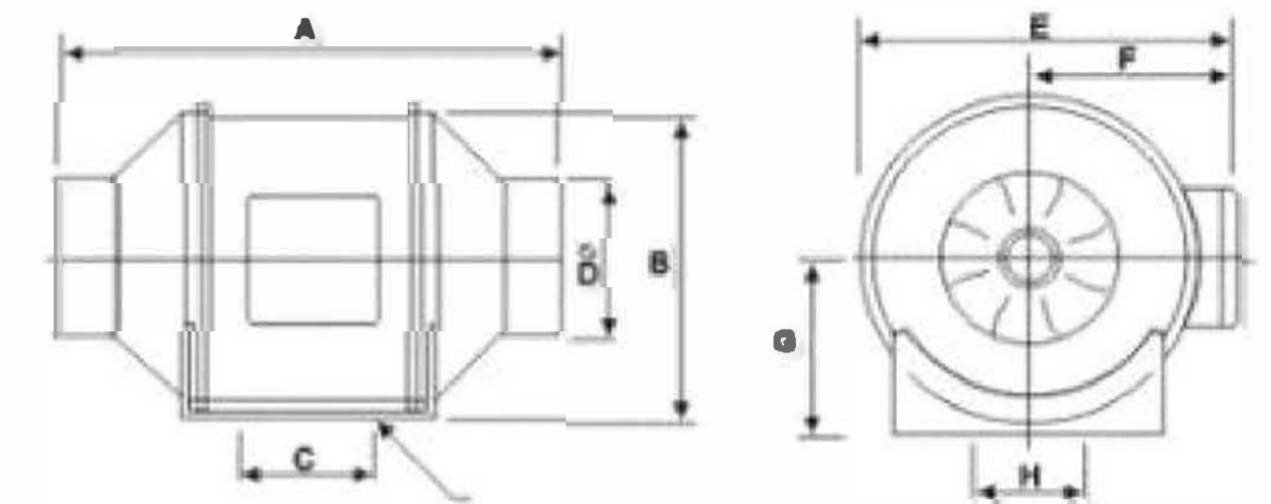
Installation Dimension

Model	A	B	C	ΦD	E	F	ΦG	L	W	H
7	80	60	4-Φ4.5	97	99	116	163	302	204	195
8	80	60	4-Φ4.5	123	99	116	163	257	204	195
9	80	60	4-Φ5.0	147	109	127	187	313	227	208
10	100	94	4-Φ5.5	197	125	137	205	302	249	237
11	150	150	4-Φ8*11	247	150	174	261	383	310	286
12	181	178	4-Φ8*11	312	187	216	325	446	386	357

◆ HS Standard Inline Duct Fan



Dimensions(mm)



Installation Dimension

Model	A	B	C	D	E	F	G	H
13	300	195	80	96	202	115	100	60
14	255	195	80	122	202	115	100	60
15	315	208	80	146	226	127	112	60
16	302	265	115	196	244	129	150	85
17	382	341	115	244	324	162	150	110

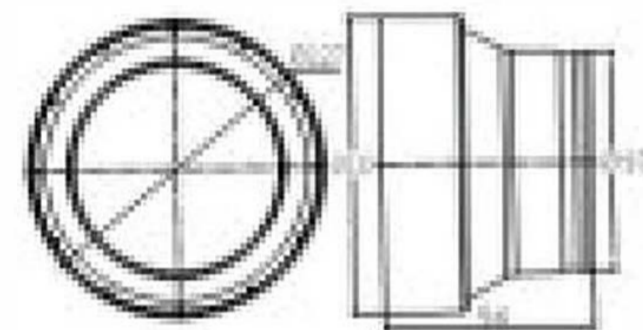
Technical Parameter

Model	Rating voltage	Rating frequency	Rated Speed	Airflow	Air pressure	Power	Noise	Protection
	V-	Hz	RPM	m ³ /h	Pa	W	dB(A)	IP
18	220-240	50/60	2350	200	130	22.6	52.5	IP44
	220-240	50/60	1950	160	108	19.2	47	
19	220-240	50/60	2350	310	138	26.9	54	IP44
	220-240	50/60	1900	230	93.6	21.6	46.5	
20	220-240	50/60	2470	490	236	44.1	55.5	IP44
	220-240	50/60	2050	380	177	40.2	50	
21	220-240	50/60	2480	740	350	167	58	IP44
	220-240	50/60	2150	600	290	142	53	
22	220-240	50/60	2388	1100	480	306	62	IP44
	220-240	50/60	2018	850	420	259	57	

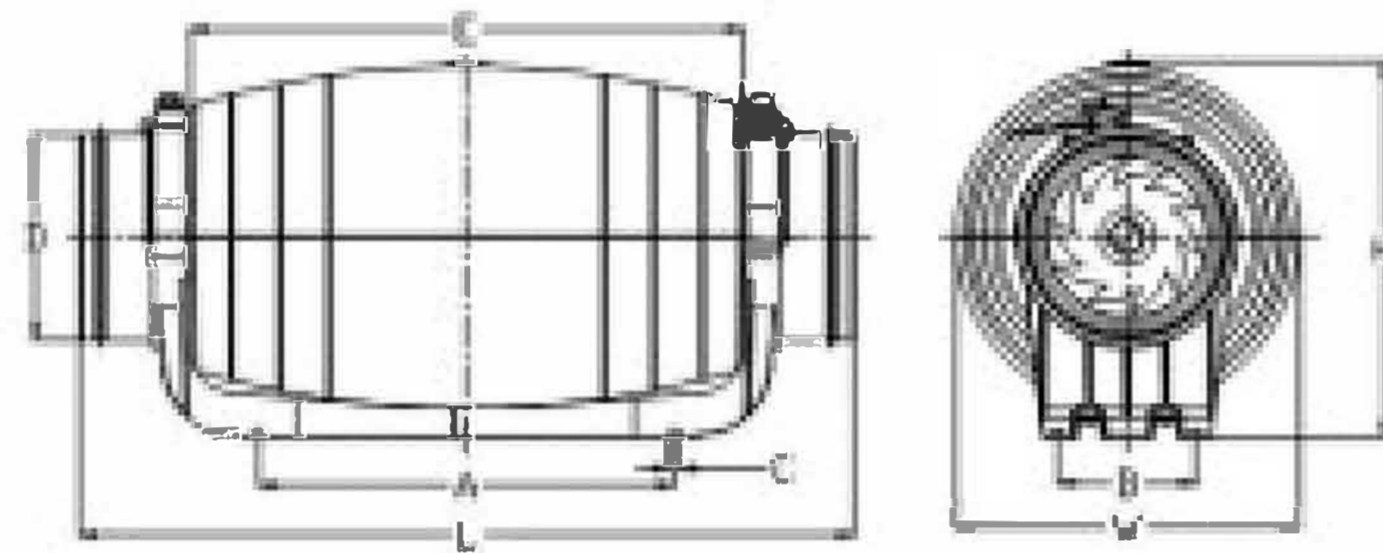
◆ HDD Silent Inline Fan



Dimensions(mm)



HDD-100/125P(adaptor)



Technical Parameter

Model	Size	Speed	Voltage	Frequency	Current	Power	Rotated Speed	Airflow	Air Pressure	Noise
	mm		V	Hz	Amps	W	rpm	m ³ /h	Pa	dB(A)
23	100/125	High	220~240	50	0.14	33	2250	284	159	25
		Low			0.13	28	1850	248	106	22
		High	110~120	60	0.35	38	2250	284	159	25
		Low			0.31	32	1850	248	106	22
24	150	High	220~240	50	0.25	50	2550	530	300	31
		Low			0.2	43	1850	410	240	26
		High	110~120	60	0.55	62	2550	430	300	31
		Low			0.45	49	1850	410	240	26
25	200	High	220~240	50	0.57	128	2450	840	352	35
		Low			0.52	123	1950	690	274	29
		High	110~120	60	1.6	160	2450	840	352	35
		Low			1.3	135	1950	690	274	29

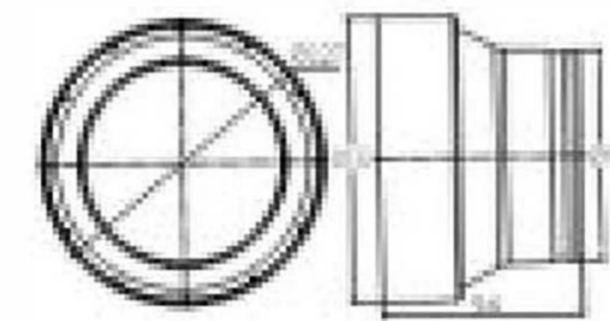
Installation Dimension

Model	A	B	C	ΦD	E	L	W	H
26	248	82	4-Φ5.5	97/123	330	580/426	205	225
27	251	95	4-Φ5.3	149/158	352	488	221	244
28	339	128	4-Φ5.6	198	436	567	262	301

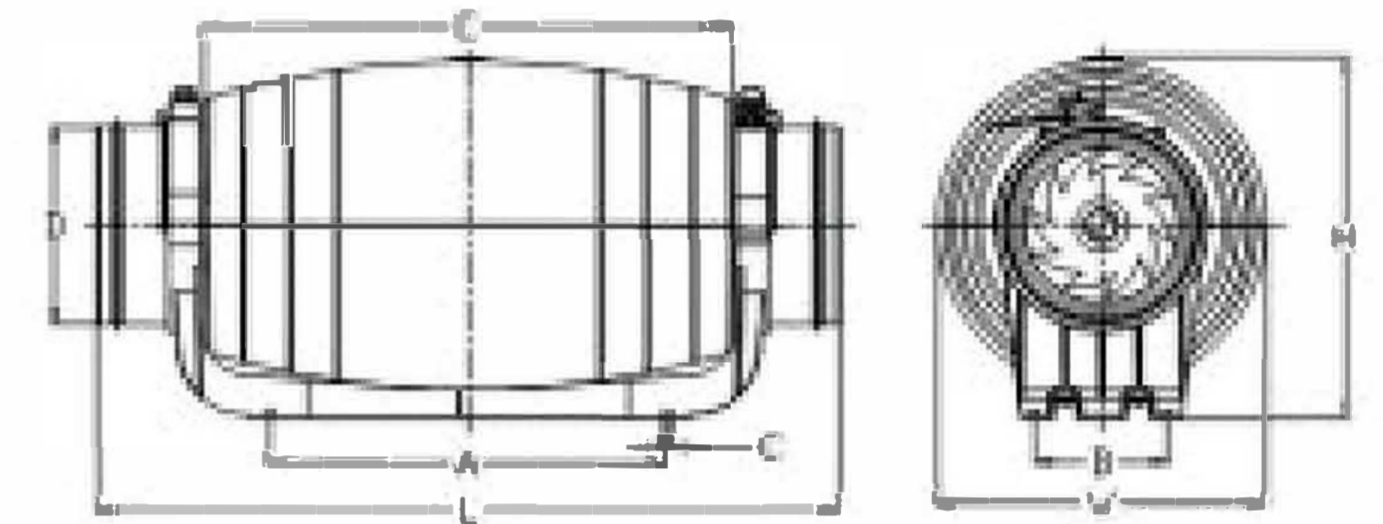
◆ LG Silent Inline Duct Fan



Dimensions(mm)



LG-100/125P(adaptor)



Technical Parameter

Model	Size	Speed	Voltage	Frequency	Current	Power	Rotated Speed	Airflow	Air Pressure	Noise
	mm		V	Hz	Amps	W	rpm	m ³ /h	Pa	dB(A)
29	100/125	High	220-240	50	0.14	33	2250	284	159	25
		High	110-120	60	0.35	38	2250	284	159	25
30	150	High	220-240	50	0.25	50	2550	530	300	31
		High	110-120	60	0.55	62	2550	530	300	31
31	200	High	220-240	50	0.57	128	2450	840	352	35
		High	110-120	60	1.6	160	2450	840	352	356

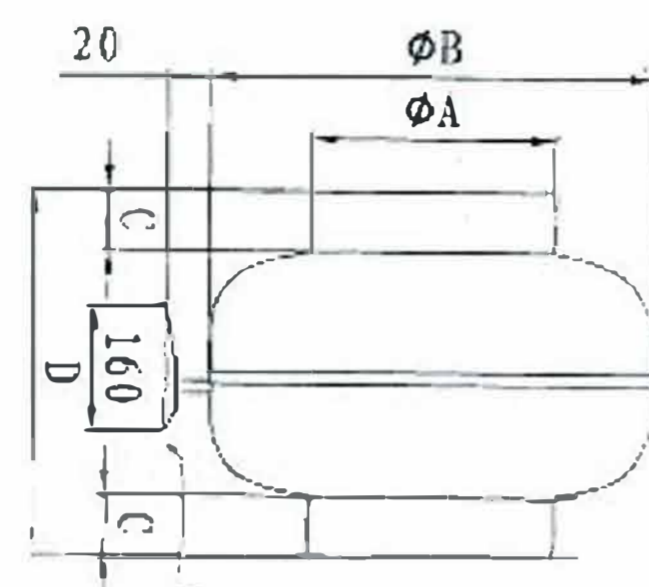
Installation Dimension

Model	A	B	C	ΦD	E	L	W	H
32	248	82	4-Φ5.5	97/123	330	580/426	205	225
33	251	95	4-Φ5.3	149/158	352	488	221	244
34	339	128	4-Φ5.6	198	436	567	262	301

◆ GDF Duct Centrifugal Fan



Dimensions(mm)



Installation Dimension

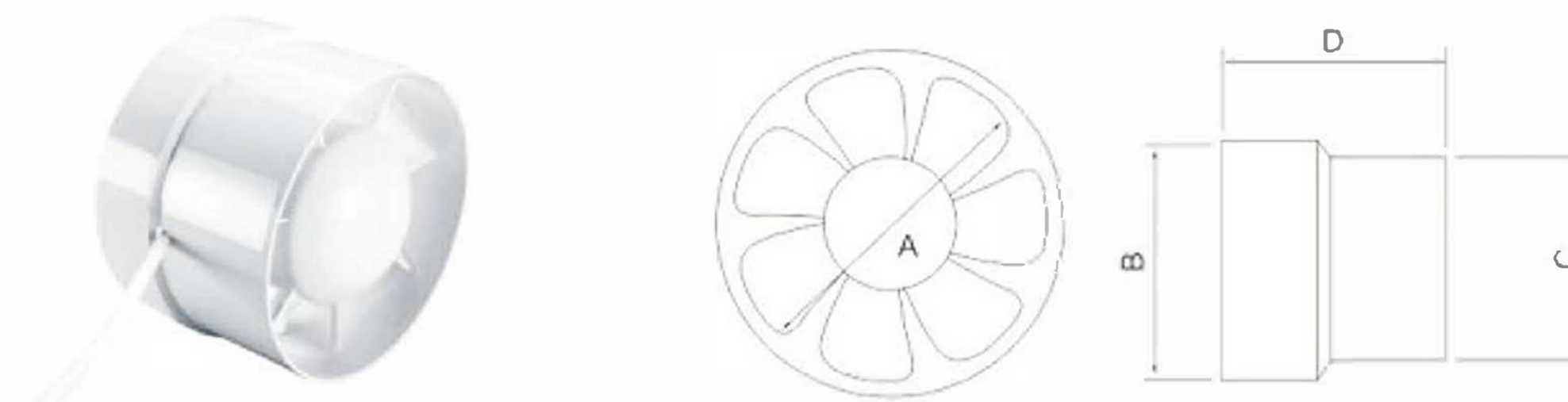
Model	A	B	C	D
35	100	240	23	195
36	125	240	26	190
37	150	330	24	220
38	160	330	27	220
39	200	330	33	215
40	250	330	30	210
41	315	395	30	245

Note: The above dimensions for reference only, please refer to the products for the actual values.

Technical Parameter

Model	Voltage	R.P.M.	Flow Rate	Static Pressure	Power	Noise
	V	r/min	m ³ /h	Pa	W	dB(A)
42	220	2500	290	350	75	47
43	220	2500	410	190	80	47
44	220	2500	700	400	120	52
45	220	2500	760	420	130	52
46	220	2500	1000	550	170	53
47	220	2500	1100	570	180	53
48	220	2500	1890	830	250	60

◆ S Inline Duct Fan



Model	Size	Voltage	Frequency	Current(Amps)	Power(W)	Rotated Speed	Airflow(M3/H)	Air Pressure(Pa)	Noise
	mm	V	Hz	Amps	W	rpm	m ³ /h	Pa	dB(A)
49	100	220~240	50	0.072	12	2400	130	36	36
		110~120	60						
50	150	220~240	50	0.11	16	2200	240	45	34
		110~120	60						
51	200	220~240	50	0.138	18	2000	320	60	35
		110~120	60						

Installation Dimensions

Model	A	B	C	D
52	Φ96	Φ104	Φ100	88
53	Φ116	Φ129	Φ125	88
54	Φ146	Φ154	Φ150	108



SPECIFICATIONS

Model	Inches	Speed	Power	Speed (rpm)	Noise	Air-flow	waterproof	air blow distance extra	voltage	A	B
55	4"	H/L	10W/5W	2550/1740 rpm	26/21	120/60 m ³ /h	Ip65	20M	220~240V 50HZ	Φ98.5	118
56	4"	H/L	10W/5W	2550/1740 rpm	26/21	120/60 m ³ /h	Ip65	20M		Φ98.5	118
57	6"	H/L	20W/10W	1900/1300 rpm	32/26	210/120 m ³ /h	Ip65	20M	110V~127V 60HZ	Φ146	112
58	6"	H/L	20W/10W	1900/1300 rpm	32/26	210/120 m ³ /h	Ip65	20M		Φ146	112

Bathroom Extractor Fan

Installation: Window mounted
Material: ABS



Q

With Timer
With Humidity Sensor
With Motion Sensor

Model	Size	Voltage	Frequency	Current(Amps)	Power(W)	Rotated Speed	Airflow(M3/H)	Air Pressure(Pa)	Noise
	mm	V	Hz	Amps	W	rpm	m³/h	Pa	dB(A)
59	100	220~240	50	0.072	12	2400	95	36	31
		110~120	60						
60	125	220~240	50	0.110	16	2200	150	45	31
		110~120	60						
61	150	220~240	50	0.138	18	2000	250	60	32
		110~120	60						



R

With Timer
With Humidity Sensor
With Motion Sensor

Model	Size	Voltage	Frequency	Current(Amps)	Power(W)	Rotated Speed	Airflow(M3/H)	Air Pressure(Pa)	Noise
	mm	V	Hz	Amps	W	rpm	m³/h	Pa	dB(A)
62	100	220-240	50	0.072	12	2400	95	36	31
		110-120	60						
63	125	220-240	50	0.110	16	2200	150	45	31
		110-120	60						
64	150	220-240	50	0.138	18	2000	250	60	32
		110-120	60						



Y

With Timer
With Humidity Sensor
With Motion Sensor

Model	Size	Voltage	Frequency	Current(Amps)	Power(W)	Rotated Speed	Airflow(M3/H)	Air Pressure(Pa)	Noise
	mm	V	Hz	Amps	W	rpm	m³/h	Pa	dB(A)
65	100	220-240	50	0.072	12	2400	130	36	31
		110-120	60						
66	125	220-240	50	0.110	16	2200	150	45	31
		110-120	60						
67	150	220-240	50	0.138	18	2000	320	60	32
		110-120	60						



A

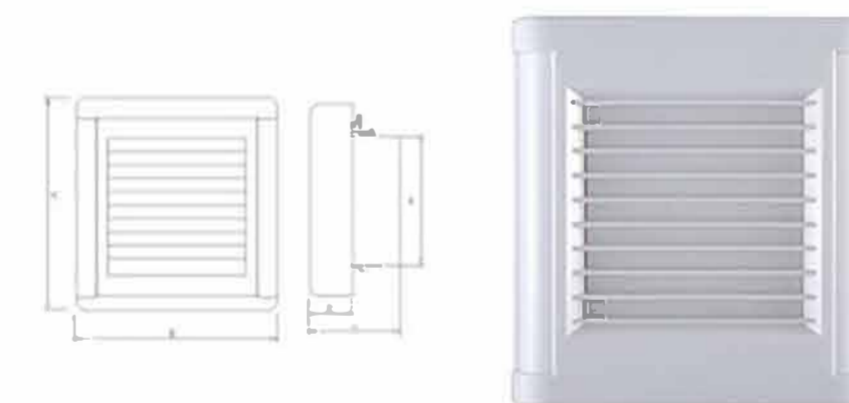
With Pull-cord Switch

Model	Size	Voltage	Frequency	Current(Amps)	Power(W)	Rotated Speed	Airflow(M3/H)	Air Pressure(Pa)	Noise
	mm	V	Hz	Amps	W	rpm	m³/h	Pa	dB(A)
68	100	220~240	50	0.072	12	2400	95	36	34
		110~120	60						
69	125	220~240	50	0.110	16	2200	150	45	34
		110~120	60						
70	150	220~240	50	0.138	18	2000	250	60	35
		110~120	60						



B

Model	Size	Voltage	Frequency	Current(Amps)	Power(W)	Rotated Speed	Airflow(M3/H)	Air Pressure(Pa)	Noise
	mm	V	Hz	Amps	W	rpm	m³/h	Pa	dB(A)
71	100	220~240	50	0.072	12	2400	95	36	34
		110~120	60						
72	125	220~240	50	0.110	16	2200	150	45	34
		110~120	60						
73	150	220~240	50	0.138	18	2000	250	60	35
		110~120	60						



C

Technical Parameter

Model	Voltage	Frequency	Power(W)	Airflow(M3/H)	Noise
	V	Hz	W	m³/h	dB(A)
74	220-	50	13	62	40
75	220-	50	22	170	42
76	220-	50	25	275	48

Installation Dimensions

Model	A	B	C	D	E
77	168	158	105	36	97
78	220	203	115	36	146
79	254	235	116	40	180

Ventilation Series



D

Model	Size	Voltage	Frequency	Current(Amps)	Power(W)	Rotated Speed	Airflow(M3/H)	Air Pressure(Pa)	Noise
	mm	V	Hz	Amps	W	rpm	m³/h	Pa	dB(A)
80	100	220~240	50	0.072	12	2400	95	36	34
		110~120	60						
81	125	220~240	50	0.110	16	2200	150	45	34
		110~120	60						
82	150	220~240	50	0.138	18	2000	250	60	35
		110~120	60						



E

With Timer
With Pull-cord Switch
With Motion Sensor
With Humidity Sensor

Model	Size	Voltage	Frequency	Current(Amps)	Power(W)	Rotated Speed	Airflow(M3/H)	Air Pressure(Pa)	Noise
	mm	V	Hz	Amps	W	rpm	m³/h	Pa	dB(A)
83	100	220~240	50	0.072	12	2400	95	36	34
		110~120	60						
84	125	220~240	50	0.110	16	2200	150	45	34
		110~120	60						
85	150	220~240	50	0.138	18	2000	250	60	35
		110~120	60						



L

With Timer
With Pull-cord Switch
With Motion Sensor
With Humidity Sensor

Model	Size	Voltage	Frequency	Current(Amps)	Power(W)	Rotated Speed	Airflow(M3/H)	Air Pressure(Pa)	Noise
	mm	V	Hz	Amps	W	rpm	m³/h	Pa	dB(A)
86	100	220~240	50	0.072	12	2400	95	36	34
		110~120	60						
87	125	220~240	50	0.110	16	2200	150	45	34
		110~120	60						
88	150	220~240	50	0.138	18	2000	250	60	35
		110~120	60						



M

Model	Size	Voltage	Frequency	Current(Amps)	Power(W)	Rotated Speed	Airflow(M3/H)	Air Pressure(Pa)	Noise
	mm	V	Hz	Amps	W	rpm	m³/h	Pa	dB(A)
89	100	220~240	50	0.072	12	2400	130	36	31
		110~120	60						
90	125	220~240	50	0.110	16	2200	150	45	31
		110~120	60						
91	150	220~240	50	0.138	18	2000	320	60	32
		110~120	60						



J

With Timer
With Humidity Sensor
With Motion Sensor

Model	Size	Voltage	Frequency	Current(Amps)	Power(W)	Rotated Speed	Airflow(M3/H)	Air Pressure(Pa)	Noise
	mm	V	Hz	Amps	W	rpm	m³/h	Pa	dB(A)
92	100	220~240	50	0.072	12	2400	95	36	34
		110~120	60						
93	125	220~240	50	0.110	16	2200	150	45	34
		110~120	60						
94	150	220~240	50	0.138	18	2000	250	60	35
		110~120	60						



P

Model	Size	Voltage	Frequency	Current(Amps)	Power(W)	Rotated Speed	Airflow(M3/H)	Air Pressure(Pa)	Noise
	mm	V	Hz	Amps	W	rpm	m³/h	Pa	dB(A)
95	100	220~240	50	0.072	12	2400	130	36	31
		110~120	60						
96	125	220~240	50	0.110	16	2200	150	45	31
		110~120	60						
97	150	220~240	50	0.138	18	2000	320	60	32
		110~120	60						



98



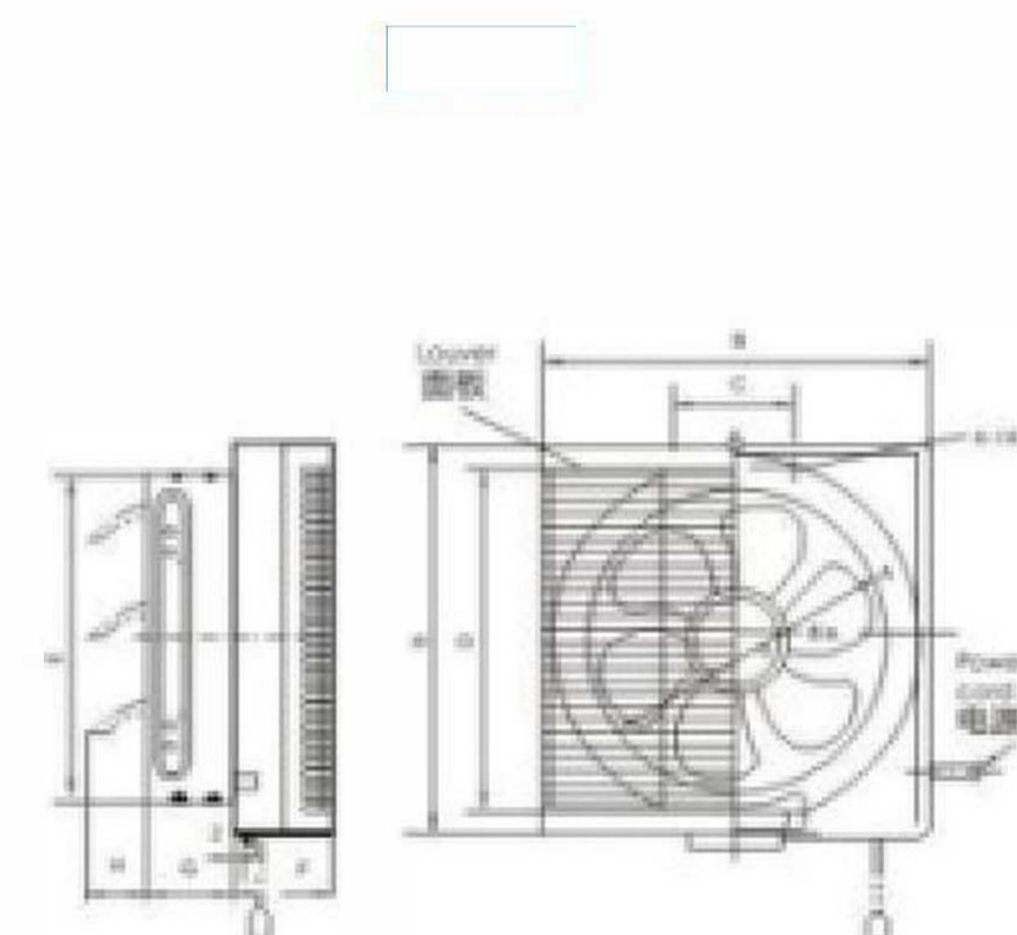
99



100



101



Technical Parameter

Model No	Installation		Panel Size		Detailed Description
	mm		mm		
6" 102	205x205		239x239		1)PP+PP Shutter
8" 103	255x255		296x296		2)100% Copper Coil Motor
10" 104	305x305		342x342		3)with Sliding Bearing Motor
12" 105	355x355		400x400		4)with 3x0.5mm ² power cord
6" 106	205x205		239x239		1)PP+PP Shutter,PP Mesh
8" 107	255x255		296x296		2)100% Copper Coil Motor
10" 108	305x305		342x342		3)with Sliding Bearing Motor
12" 109	355x355		400x400		4)with 3x0.5mm ² power cord
6" 110	205x205		239x239		1)PP+Iron Shutter
8" 111	255x255		296x296		2)100% Copper Coil Motor
10" 112	305x305		342x342		3)with Sliding Bearing Motor
12" 113	355x355		400x400		4)with 3x0.5mm ² power cord
6" 114	205x205		239x239		1)PP+Iron Shutter,PP Mesh
8" 115	255x255		296x296		2)100% Copper Coil Motor
10" 116	305x305		342x342		3)with Sliding Bearing Motor
12" 117	355x355		400x400		4)with 3x0.5mm ² power cord

SPECIFICATIONS

Model	Inches	Rated Voltage (V)	Motor power (W)	Lighting Power (W)	Color temperature	Color rendering index	Working temperature	Air-flow (m ³ /h)	Duct size Φ (mm)	Install space (mm)	Dimensions (mm)			
											A	B	C	D
98	4"	Ac220-240V 50Hz	10	3	3000K 4500K 6500K	Ra>80	-20℃-55℃	95	30	103	158x158	25	83	101
99	4"		10	4				95	30	103	158x158	25	83	101
100	4"		10	5W			-20℃-55℃	95	30	103	170x170	52	83	101
101	4"		10	3W-12W			-20℃-55℃	95	30	103	170x170	52	83	101



Ceiling Mount Exhaust Fan

Names of Parts and Installing Dimensions(mm)

Model	A	B	C	D	E	F	G
118	195	127	155	99	18	85	170
119	245	170	189	122	30	98	200
120	268	176	215	128	30	98	225
121	340	193	275	134	37	120	290
122	400	200	310	144	37	149	327

Technical Parameter

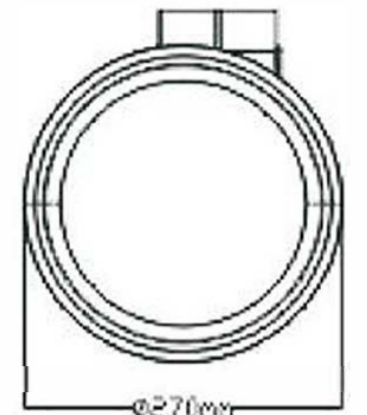
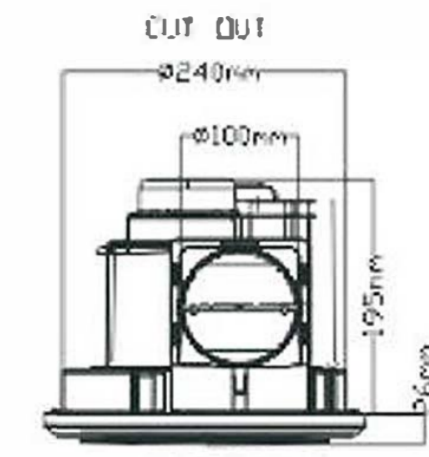
Model	Rating voltage V	Rating frequency Hz	Power W	Air delivery M ³ h	Noise dB
123	220	50	20	72	39
124	220	50	24	100	43
125	220	50	30	148	45
126	220	50	43	172	49
127	220	50	52	200	55



128



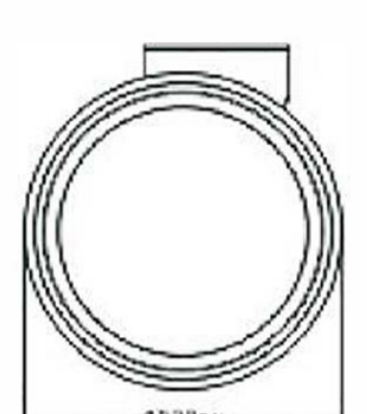
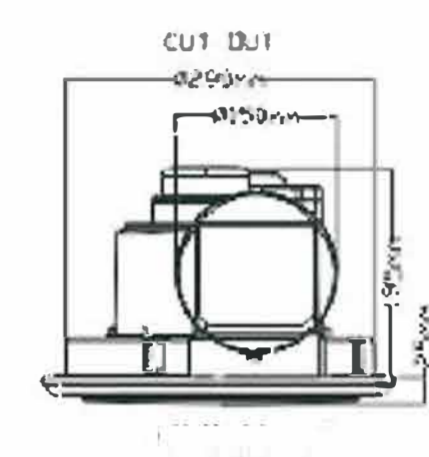
129 L



130



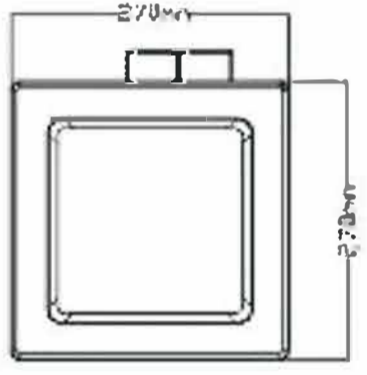
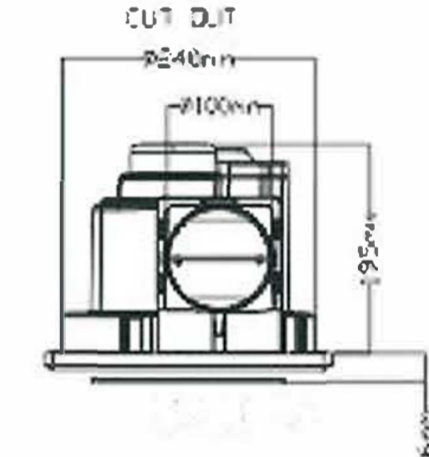
131 L



132



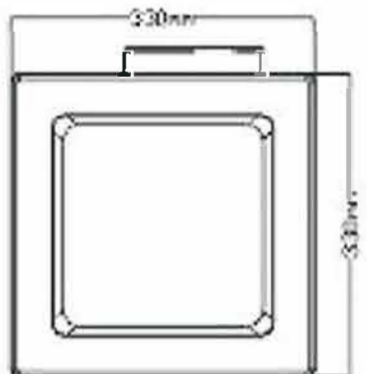
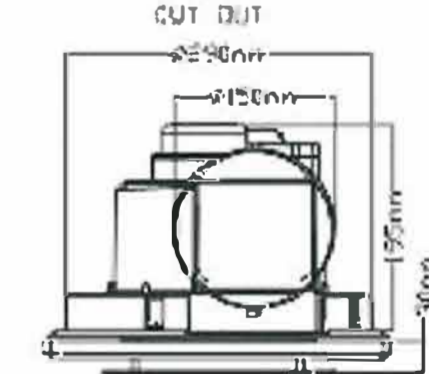
133 L



134



135 L



136



137

Ceiling Fan

Attractive slim line grill.
Efficient quiet ball bearing motor.
Standard with 240 3 pin plug.