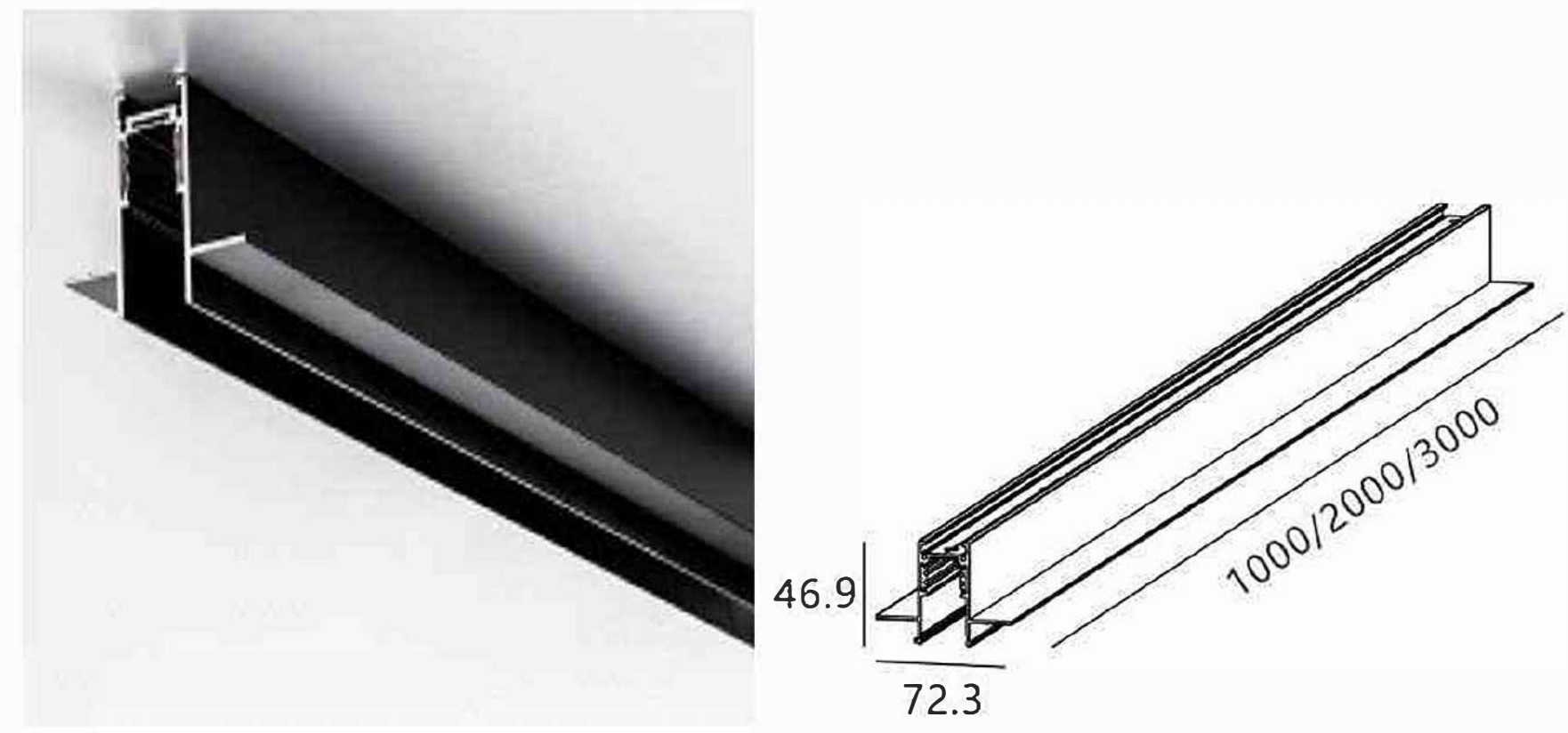


# Commercial Lights Catalog

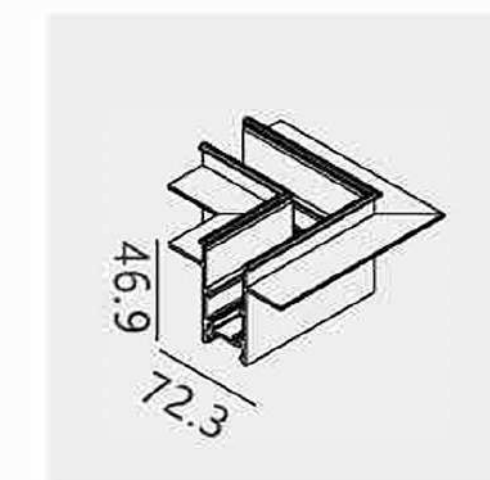




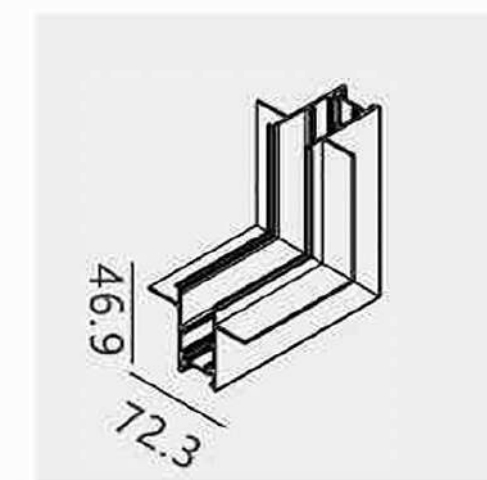
RECESSED



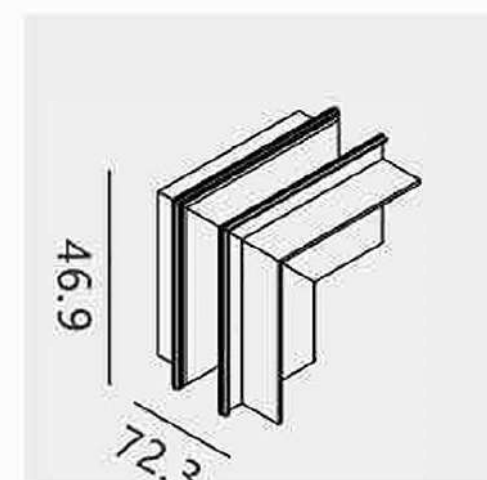
Type	Electrical parameters	Maximum current	Length(mm)
GPS-01	DC 48V	4A max	W72.3*H46.9*T1000/2000/3000



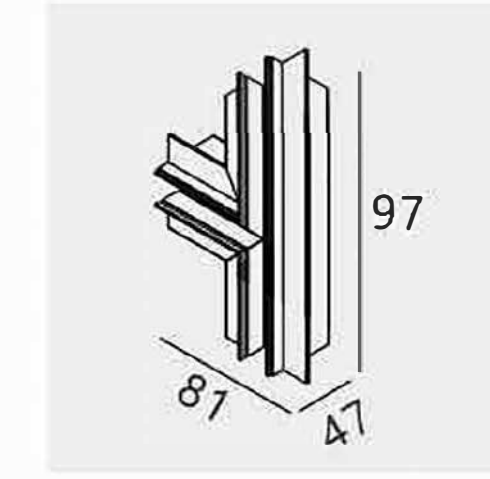
GPS-01-L01



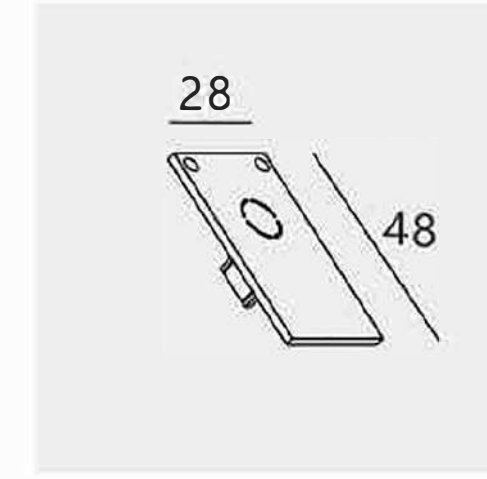
GPS-01-J01



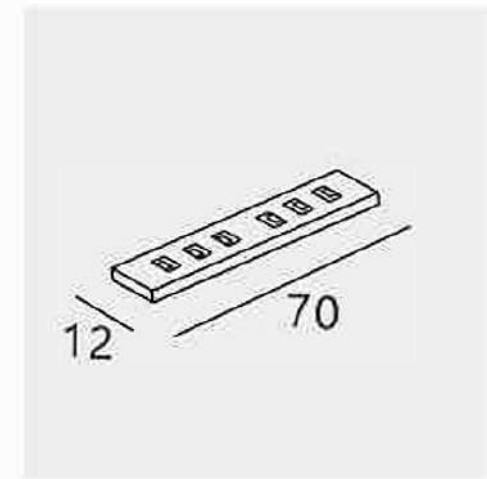
GPS-01-E01



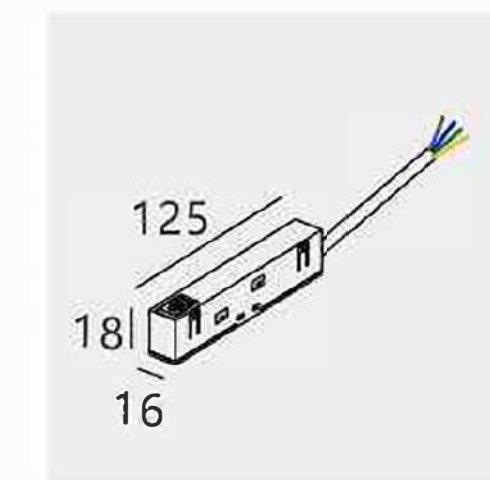
GPS-01-L03



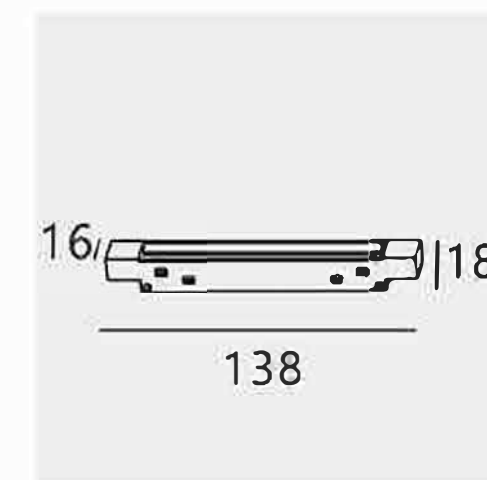
GPS-01-D01



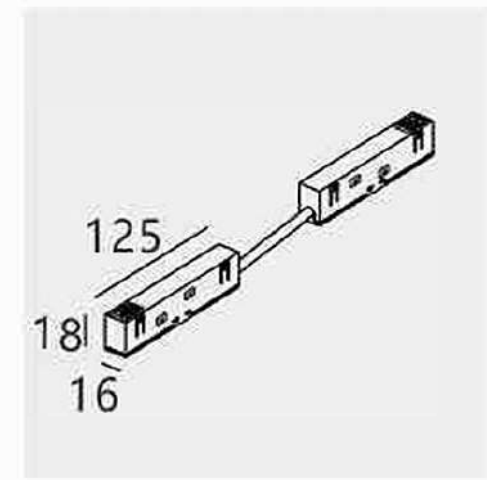
GPS-01-C01



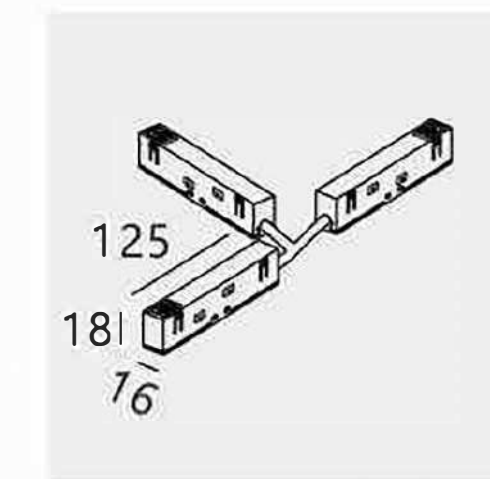
GPS-01-E00



GPS-01-E01

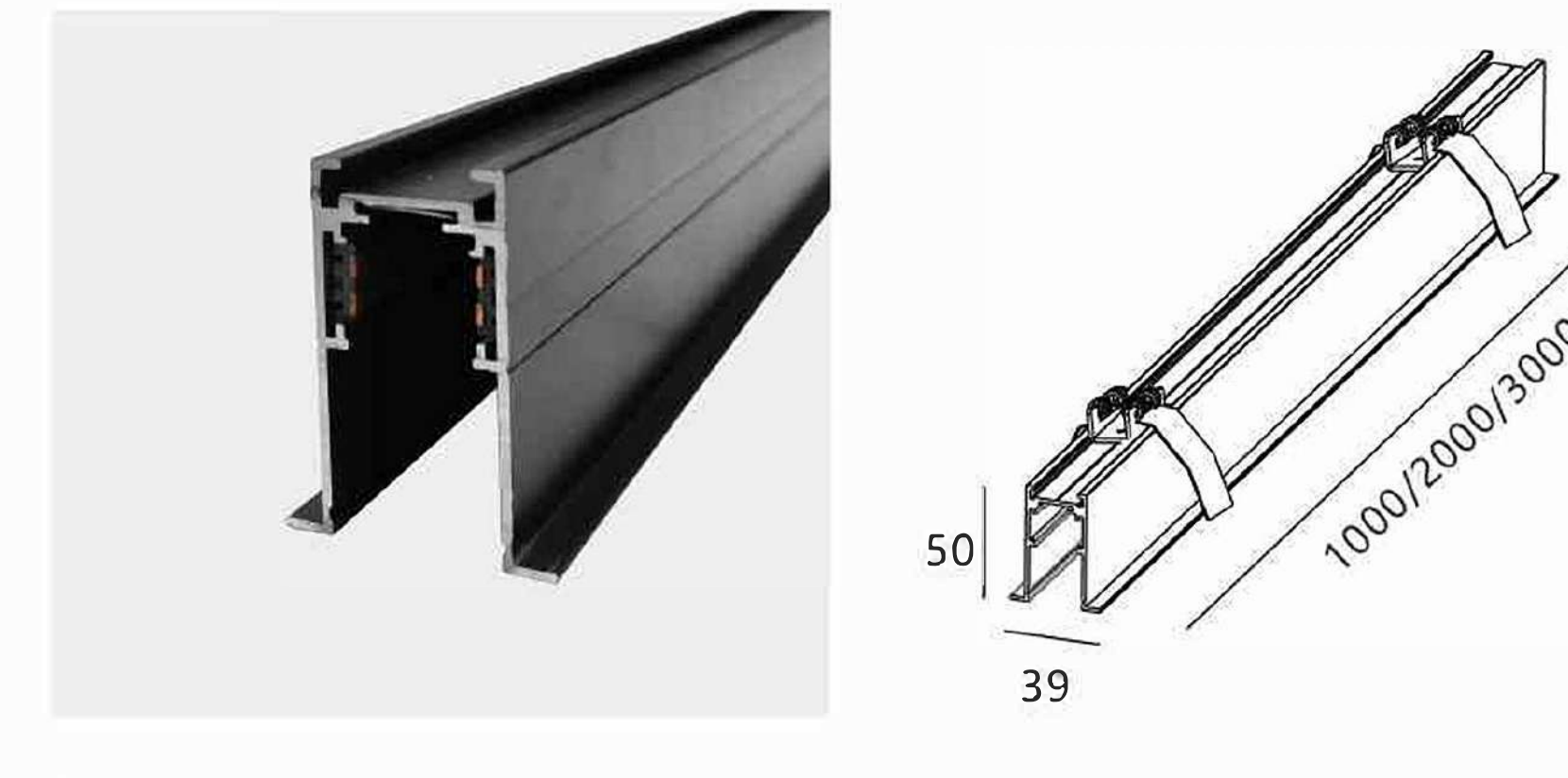


GPS-01-E02

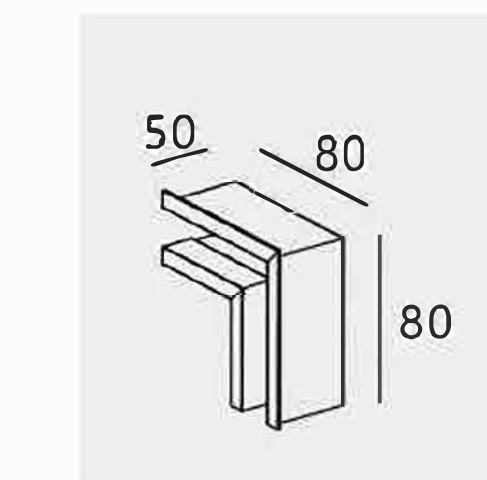


GPS-01-E03

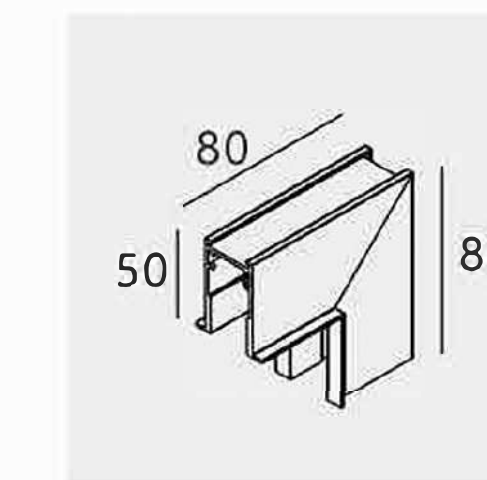
SURFACE MOUNTED / PENDENT



Type	Electrical parameters	Maximum current	Length(mm)
GPS-02	DC 48V	4A max	W39*H50*T1000/2000/3000

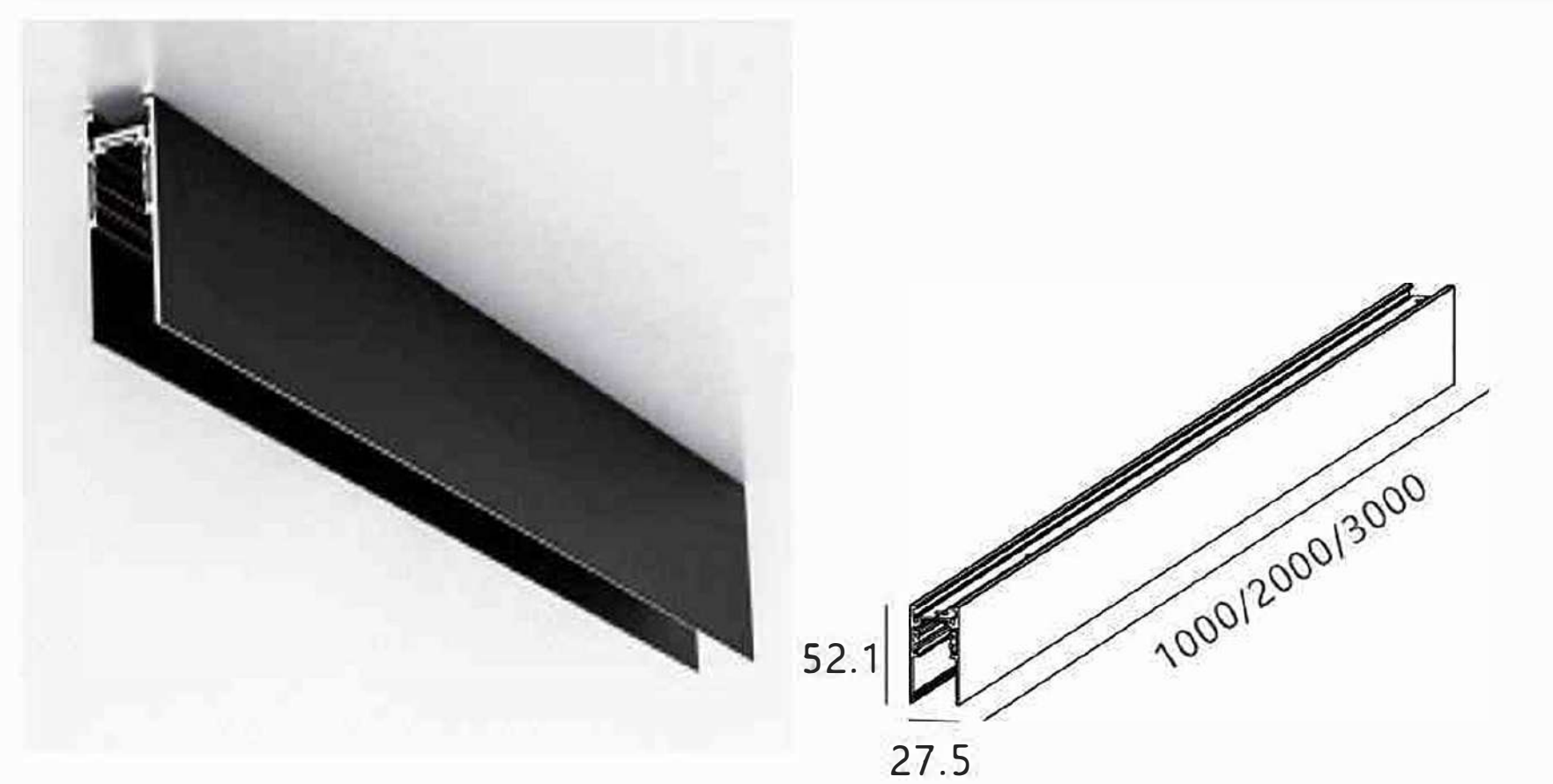


GPS-02-L01

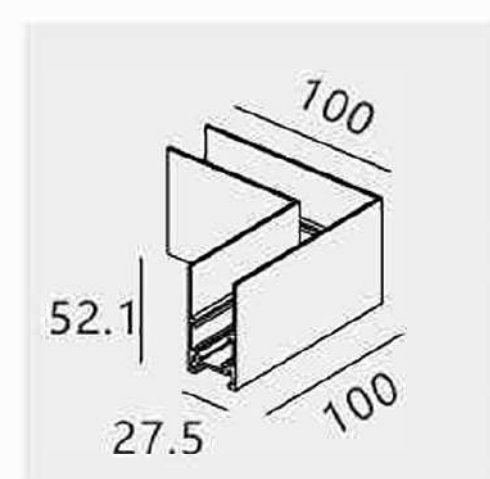


GPS-02-J01

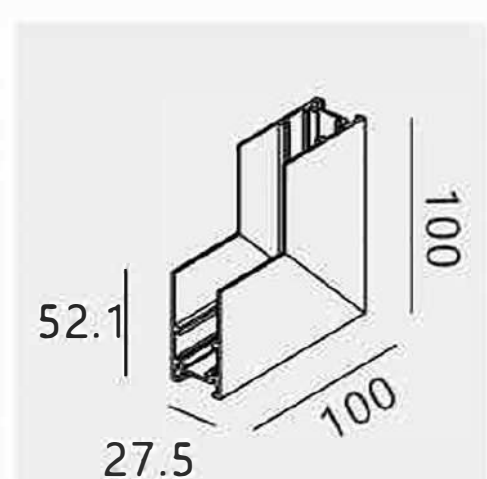
SURFACE MOUNTED / PENDENT



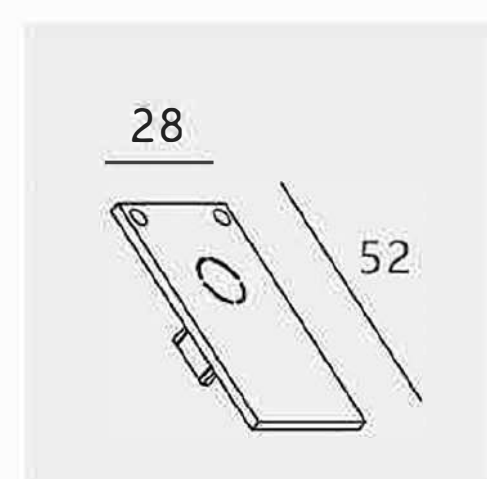
Type	Electrical parameters	Maximum current	Length(mm)
GPS-03	DC 48V	4A max	W27.5*H52.1*T1000/2000/3000



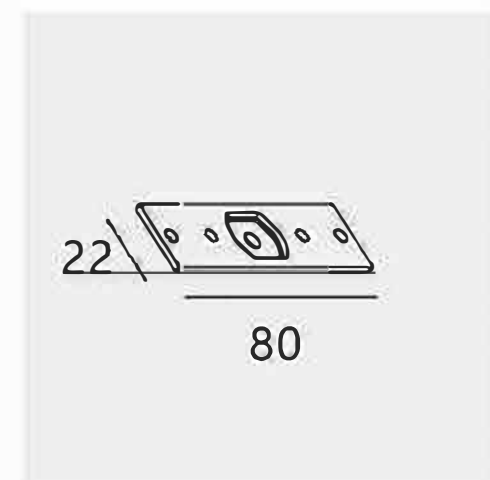
GPS-03-L01



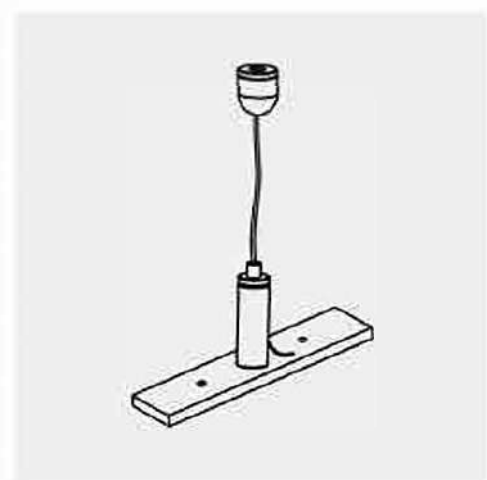
GPS-03-J01



GPS-03-D02

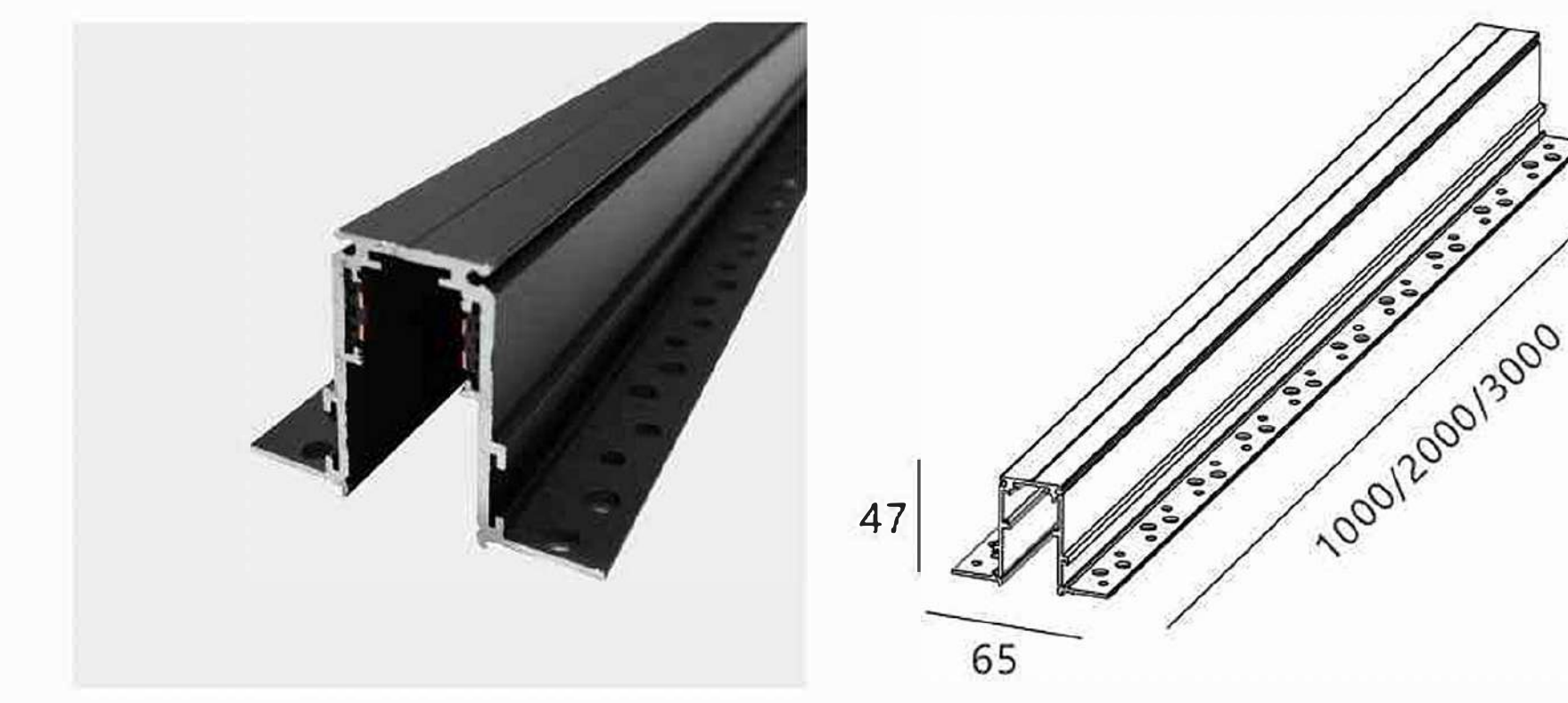


GPS-03-C01

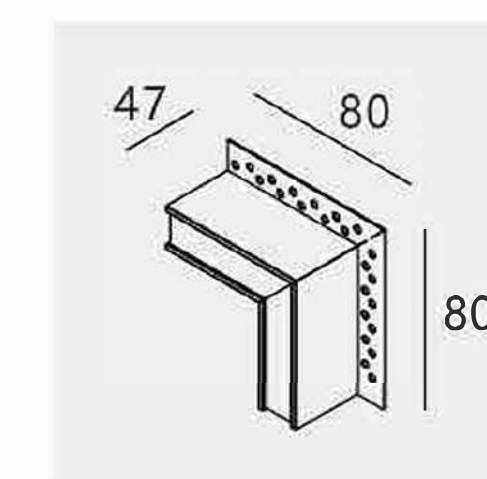


GPS-03-P01

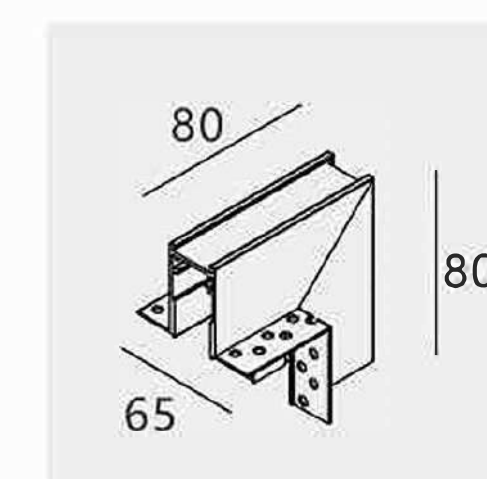
SURFACE MOUNTED / PENDENT



Type	Electrical parameters	Maximum current	Length(mm)
GPS-04	DC 48V	4A max	W65*H47*T1000/2000/3000



GPS-04-L01



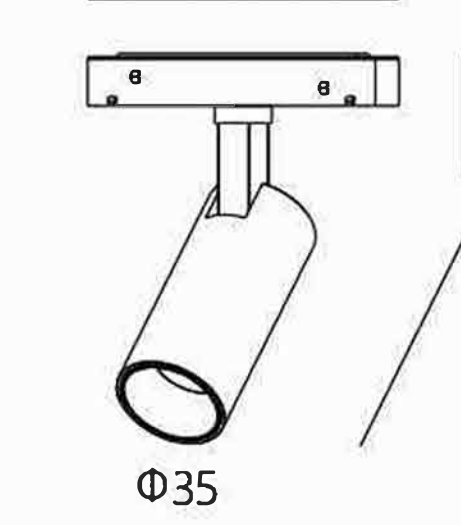
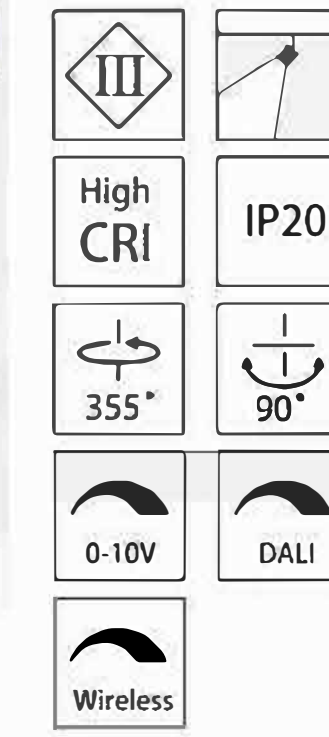
GPS-04-J01





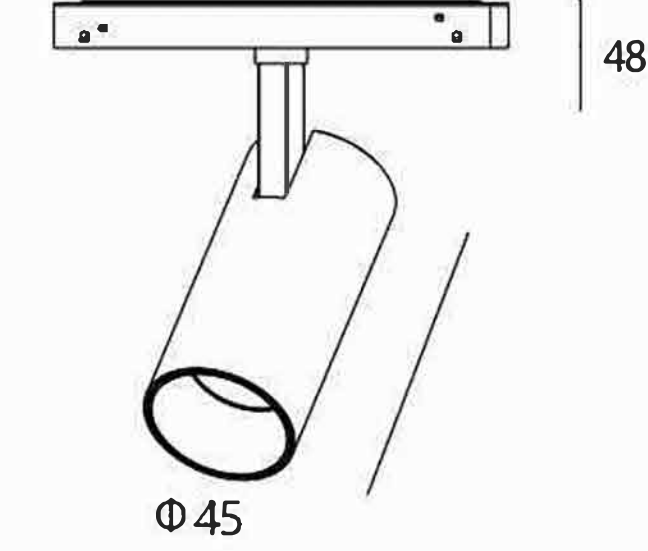


MAGNET SYSTEM series



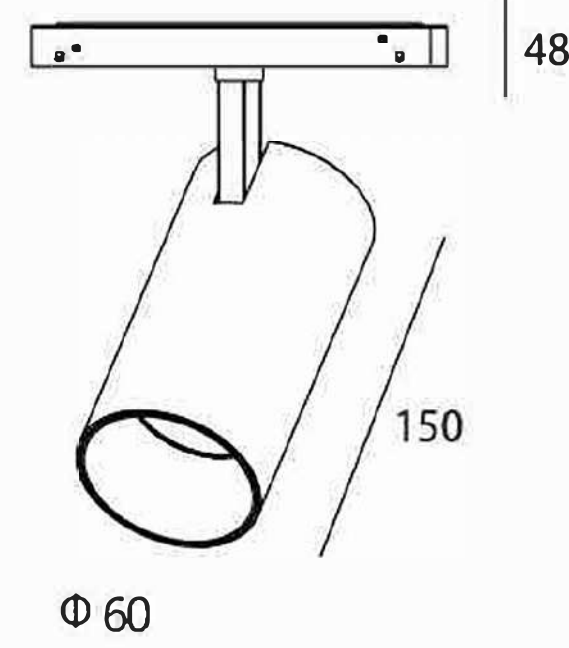
**GPS-05**

Light Source: CREE COB  
 Mains voltage: DC48V  
 Power: 7W  
 CRI: Ra>80  
 CCT: 2700K/3000K/4000K/6000K  
 OPTIC: 15° /24° /36°



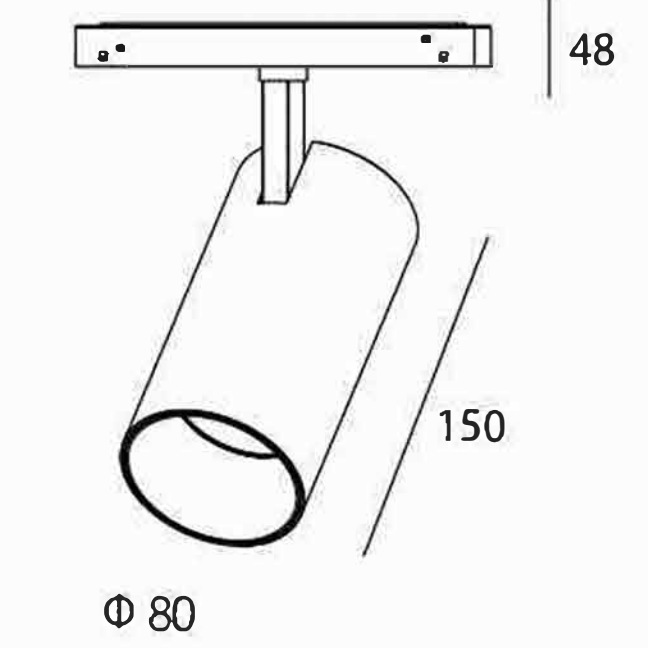
**GPS-06**

Light Source: CREE COB  
 Mains voltage: DC48V  
 Power: 12W  
 CRI: Ra>80  
 CCT: 2700K/3000K/4000K/6000K  
 OPTIC: 15° /24° /36°



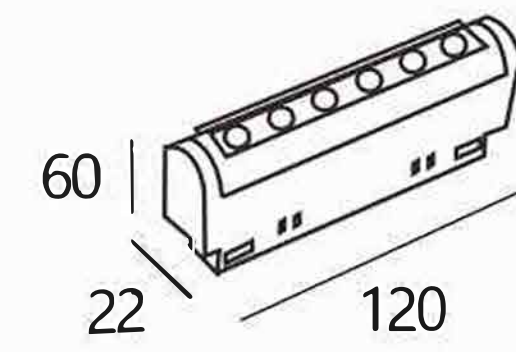
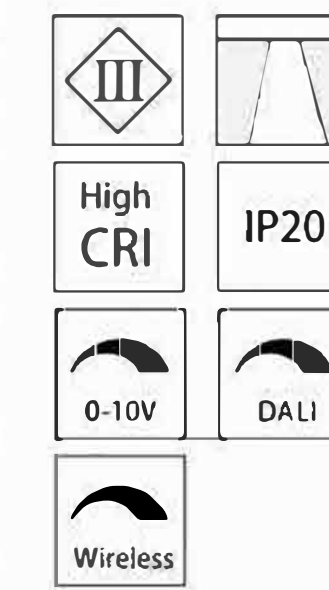
**GPS-07**

Light Source: CREE COB  
 Mains voltage: DC48V  
 Power: 18W  
 CRI: Ra>80  
 CCT: 2700K/3000K/4000K/6000K  
 OPTIC: 15° /24° /36°



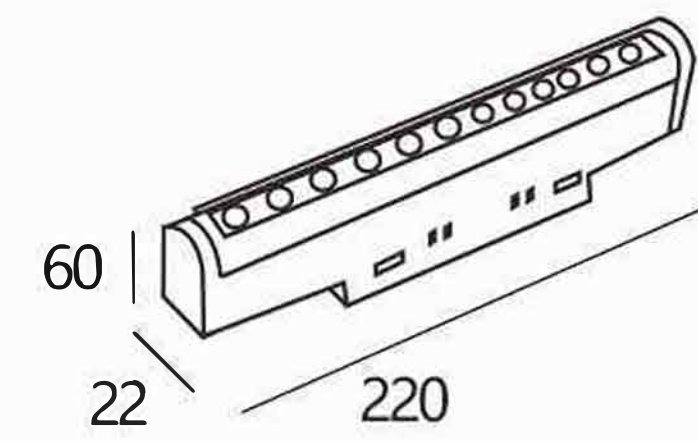
**GPS-08**

Light Source: CREE COB  
 Mains voltage: DC48V  
 Power: 24W  
 CRI: Ra>80  
 CCT: 2700K/3000K/4000K/6000K  
 OPTIC: 15° /24° /36°



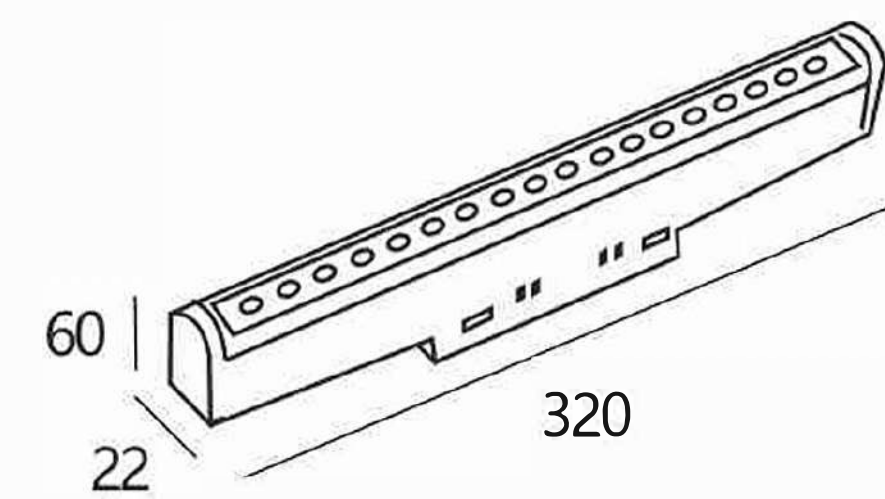
**GPS-09**

Light Source: CREE COB  
 Mains voltage: DC48V  
 Power: 6W  
 CRI: Ra>80  
 CCT: 2700K/3000K/4000K/6000K  
 OPTIC: 24° /40°



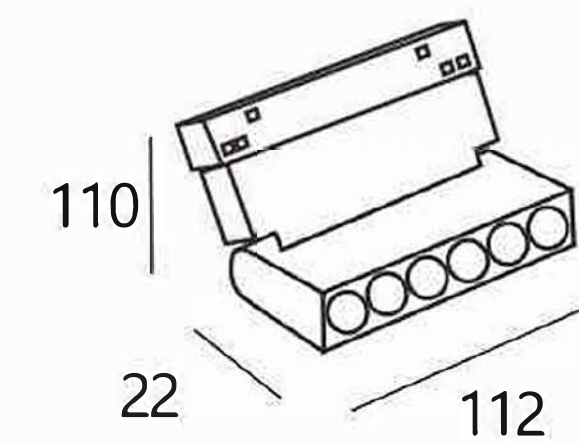
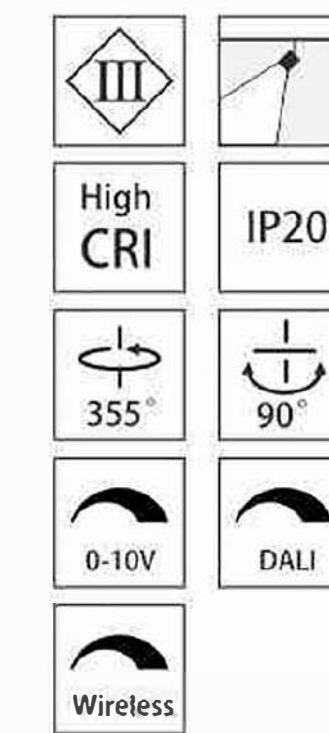
**GPS-10**

Light Source: OSRAM LED  
 Mains voltage: DC48V  
 Power: 12W  
 CRI: Ra>80  
 CCT: 2700K/3000K/4000K/6000K  
 OPTIC: 24° /40°



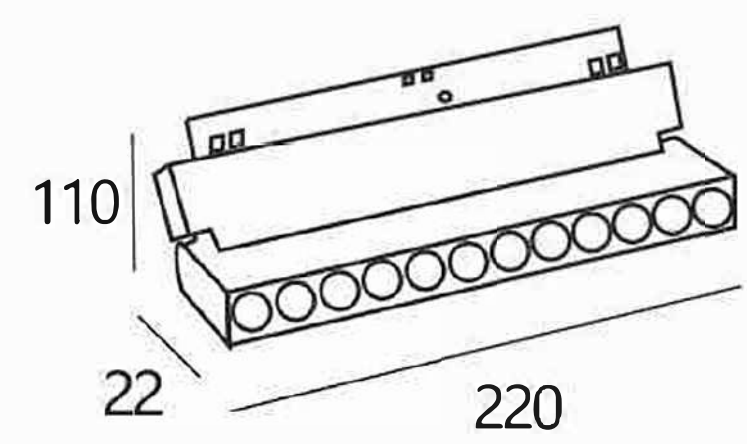
**GPS-11**

Light Source: OSRAM LED  
 Mains voltage: DC48V  
 Power: 18W  
 CRI: Ra>80  
 CCT: 2700K/3000K/4000K/6000K  
 OPTIC: 24° /40°



**GPS-12**

Light Source: OSRAM LED  
 Mains voltage: DC48V  
 Power: 6W  
 CRI: Ra>80  
 CCT: 2700K/3000K/4000K/6000K  
 OPTIC: 24° /40°



**GPS-12-1**

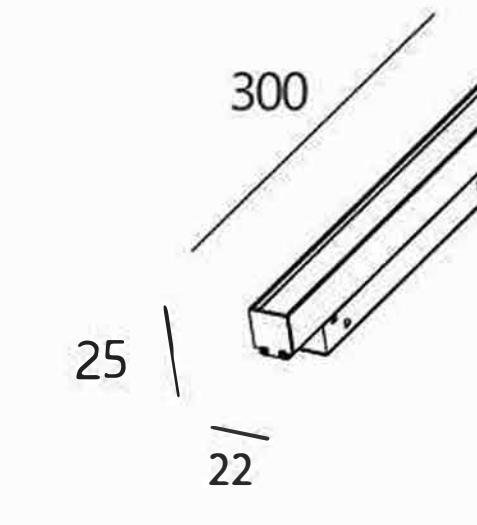
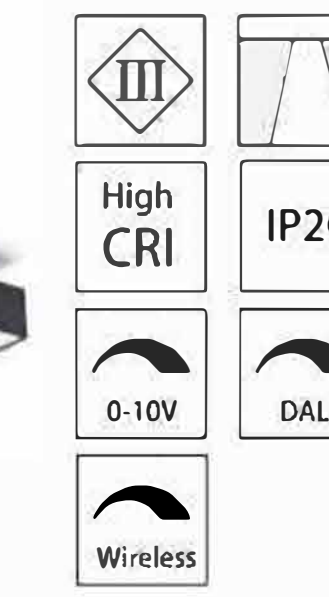
Light Source: OSRAM LED  
 Mains voltage: DC48V  
 Power: 12W  
 CRI: Ra>80  
 CCT: 2700K/3000K/4000K/6000K  
 OPTIC: 24° /40°

COLORS



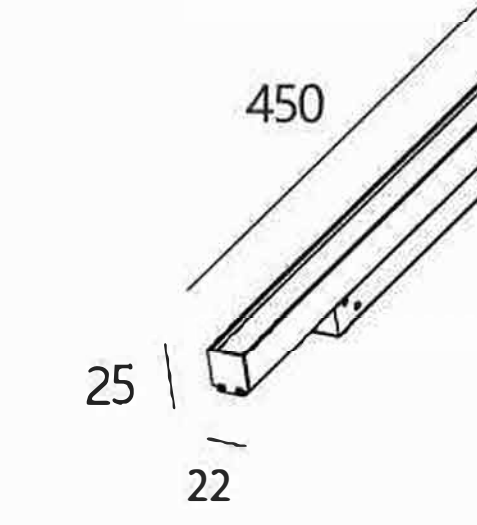
BK

MAGNET SYSTEM series



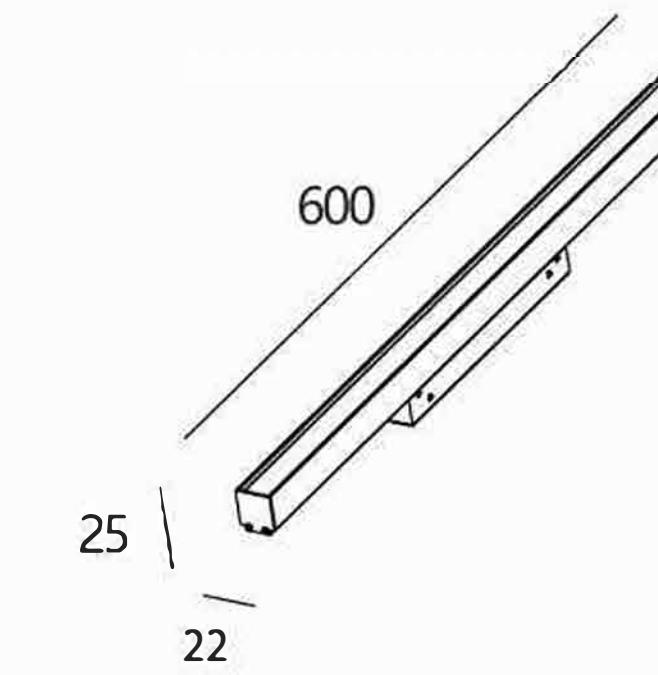
**GPS-13**

Light Source: 2835 LED  
 Mains voltage: DC48V  
 Power: 10W  
 CRI: Ra>80  
 CCT: 2700K/3000K/4000K/6000K  
 OPTIC: 100°



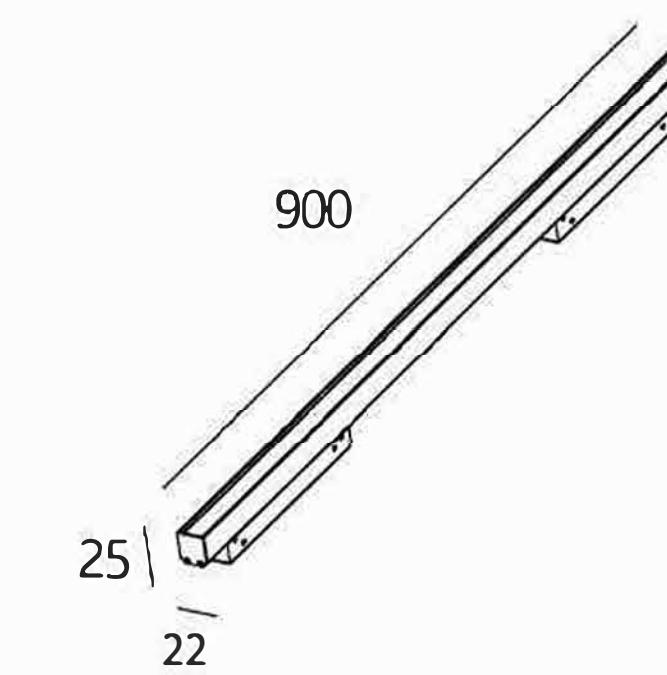
**GPS-14**

Light Source: 2835 LED  
 Mains voltage: DC48V  
 Power: 15W  
 CRI: Ra>80  
 CCT: 2700K/3000K/4000K/6000K  
 OPTIC: 100°



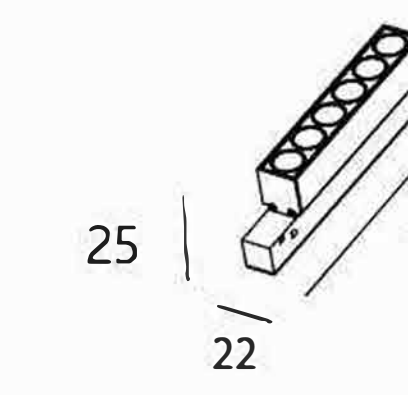
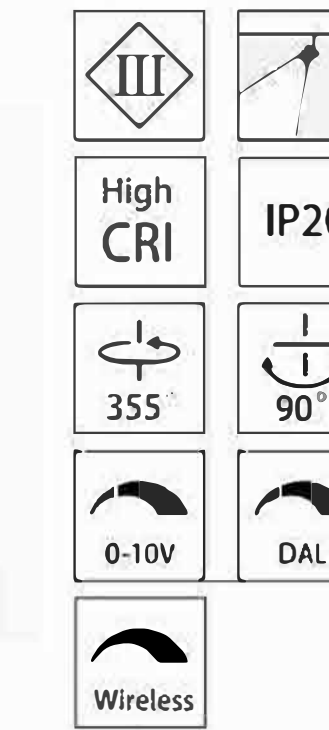
**GPS-15**

Light Source: 2835 LED  
 Mains voltage: DC48V  
 Power: 20W  
 CRI: Ra>80  
 CCT: 2700K/3000K/4000K/6000K  
 OPTIC: 100°



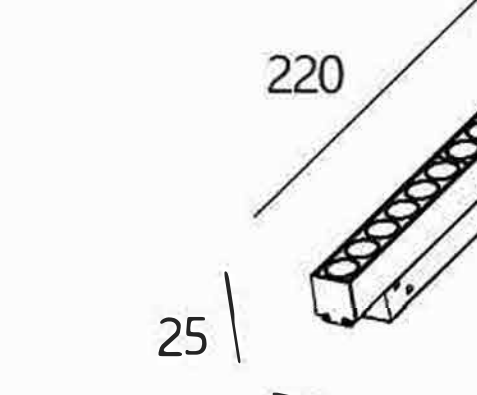
**GPS-16**

Light Source: 2835 LED  
 Mains voltage: DC48V  
 Power: 30W  
 CRI: Ra>80  
 CCT: 2700K/3000K/4000K/6000K  
 OPTIC: 100°



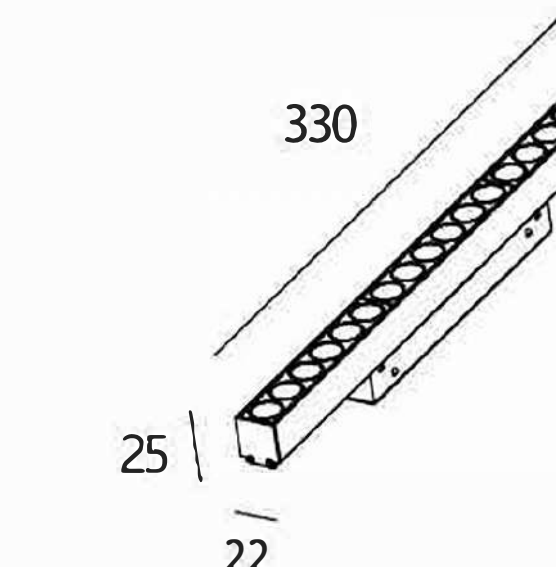
**GPS-17**

Light Source: 2835 LED  
 Mains voltage: DC48V  
 Power: 6W  
 CRI: Ra>80  
 CCT: 2700K/3000K/4000K/6000K  
 OPTIC: 24° /40°



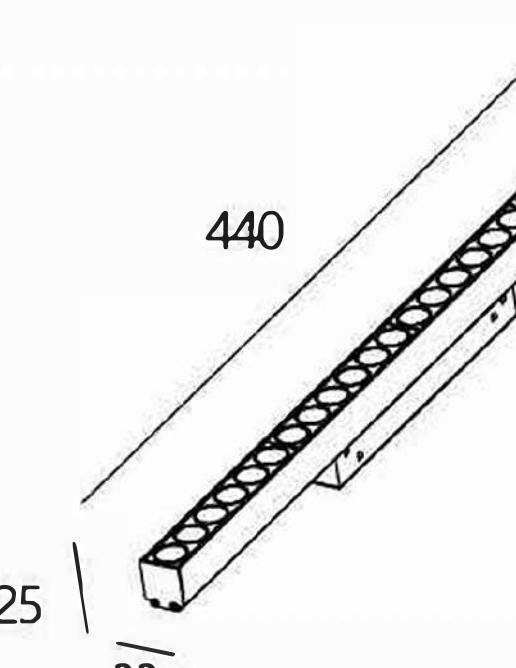
**GPS-18**

Light Source: 2835 LED  
 Mains voltage: DC48V  
 Power: 12W  
 CRI: Ra>80  
 CCT: 2700K/3000K/4000K/6000K  
 OPTIC: 24° /40°



**GPS-19**

Light Source: 2835 LED  
 Mains voltage: DC48V  
 Power: 18W  
 CRI: Ra>80  
 CCT: 2700K/3000K/4000K/6000K  
 OPTIC: 24° /40°



**GPS-20**

Light Source: 2835 LED  
 Mains voltage: DC48V  
 Power: 24W  
 CRI: Ra>80  
 CCT: 2700K/3000K/4000K/6000K  
 OPTIC: 24° /40°

COLORS



BK





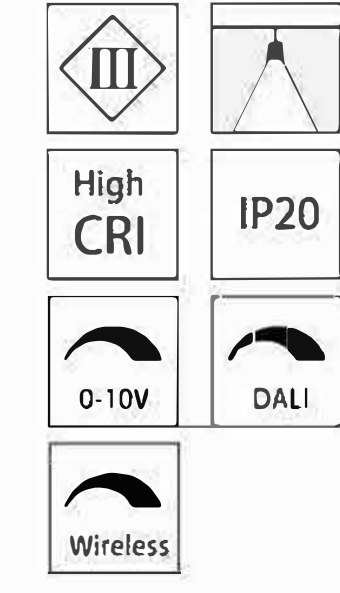
## PENDANT LIGHT series

Simple fashionable design,  
comfortable lighting experience  
Combine optics with practicality to create your  
own lighting solution.









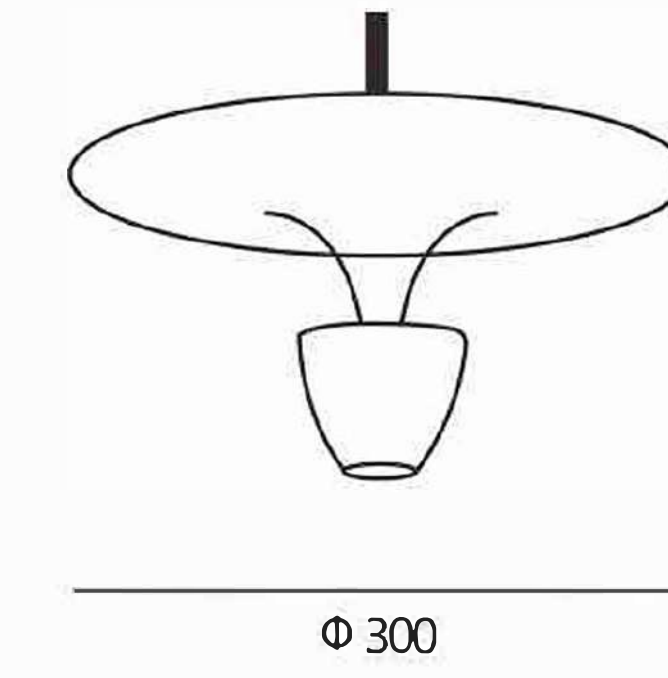
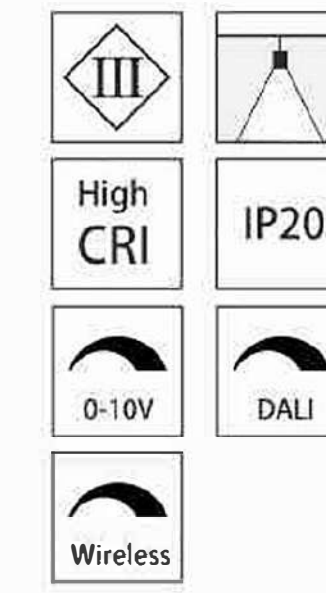
**GPS-21**

Light Source: CREE COB  
 Mains voltage: DC48V  
 Power: 7W  
 CRI: Ra>80  
 CCT: 2700K/3000K/4000K/6000K  
 OPTIC: 15° /24° /36°



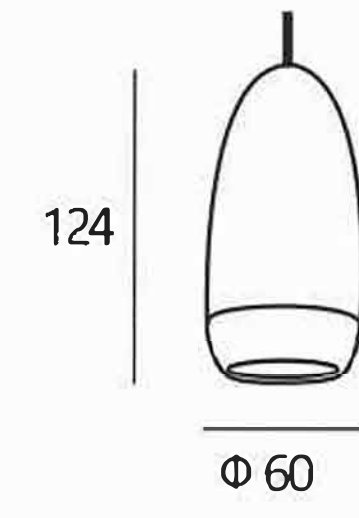
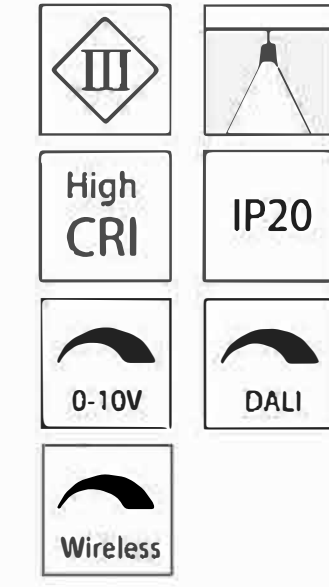
**GPS-22**

Light Source: CREE COB  
 Mains voltage: DC48V  
 Power: 7W  
 CRI: Ra>80  
 CCT: 2700K/3000K/4000K/6000K  
 OPTIC: 15° /24° /36°



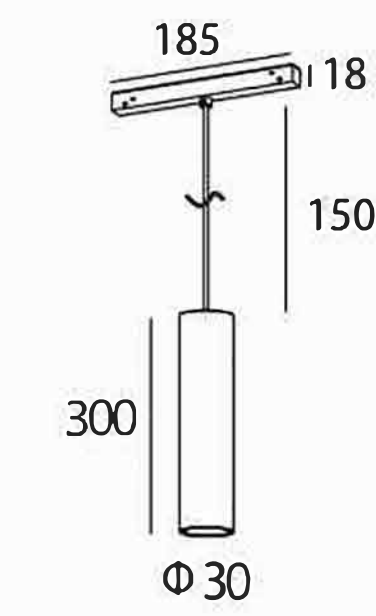
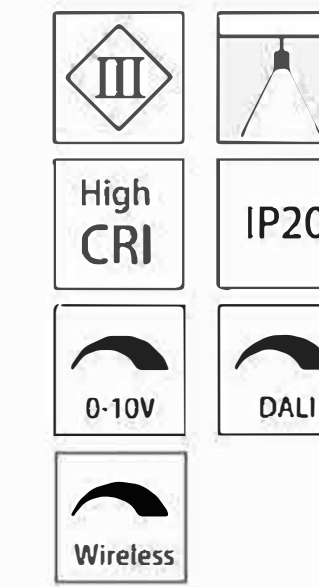
**GPS-24**

Light Source: CREE COB  
 Mains voltage: DC48V  
 Power: 7W  
 CRI: Ra>80  
 CCT: 2700K/3000K/4000K/6000K  
 OPTIC: 15° /24° /36°



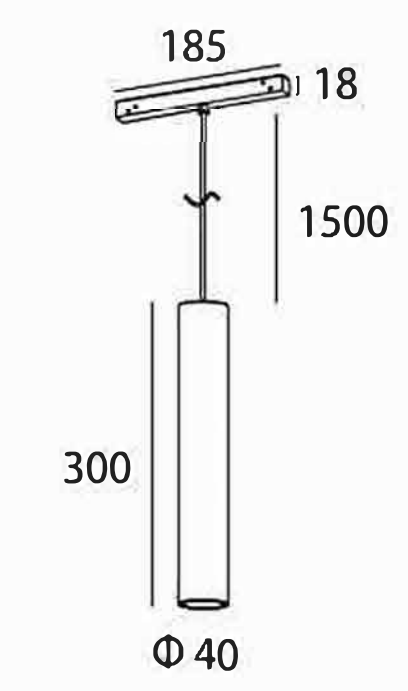
**GPS-23**

Light Source: CREE COB  
 Mains voltage: DC48V  
 Power: 7W  
 CRI: Ra>80  
 CCT: 2700K/3000K/4000K/6000K  
 OPTIC: 15° /24° /36°



**GPS-25**

Light Source: CREE COB  
 Mains voltage: DC48V  
 Power: 6W  
 CRI: Ra>80  
 CCT: 2700K/3000K/4000K/6000K  
 OPTIC: 15° /24° /36°



**GPS-26**

Light Source: CREE COB  
 Mains voltage: DC48V  
 Power: 10W  
 CRI: Ra>80  
 CCT: 2700K/3000K/4000K/6000K  
 OPTIC: 15° /24° /36°

COLORS

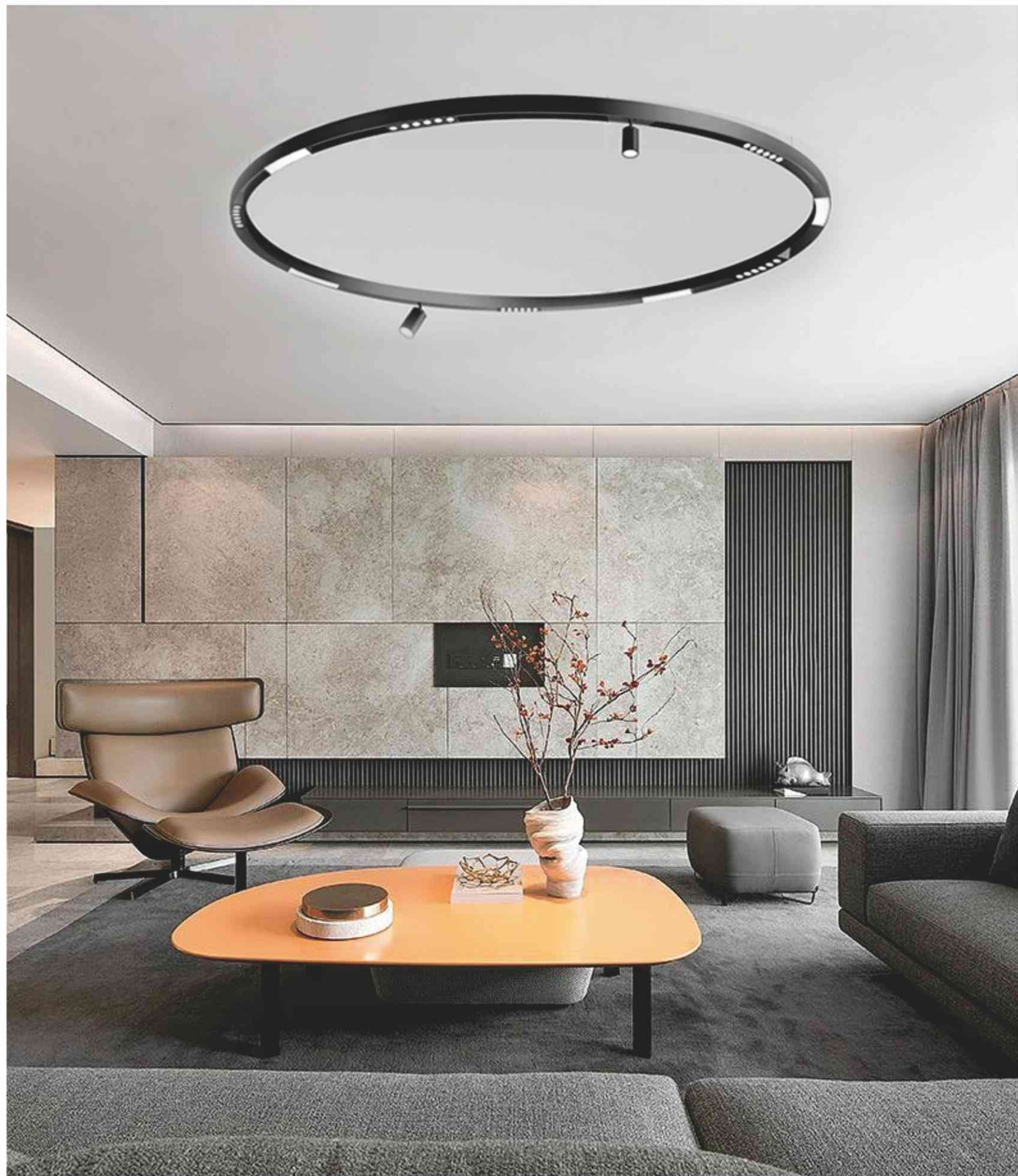


COLORS



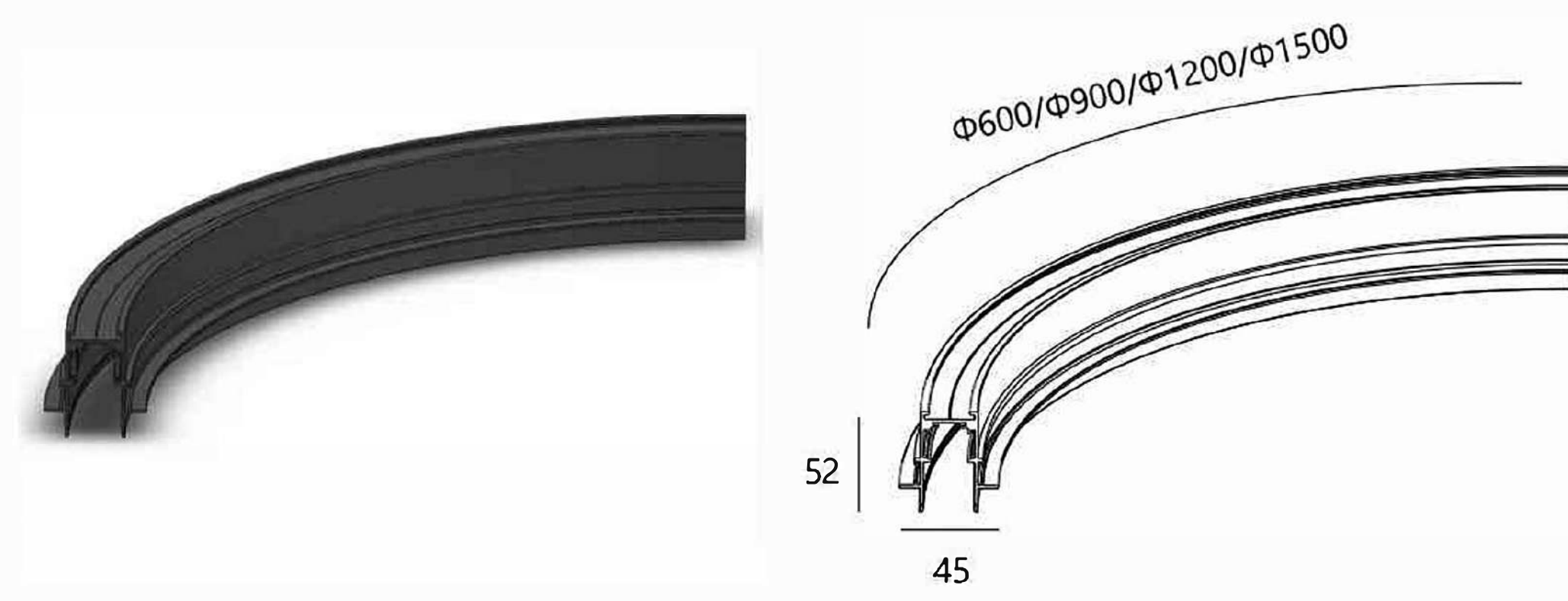


# CIRCULAR MAGNET TRACK





## CIRCULAR MAGNET TRACK



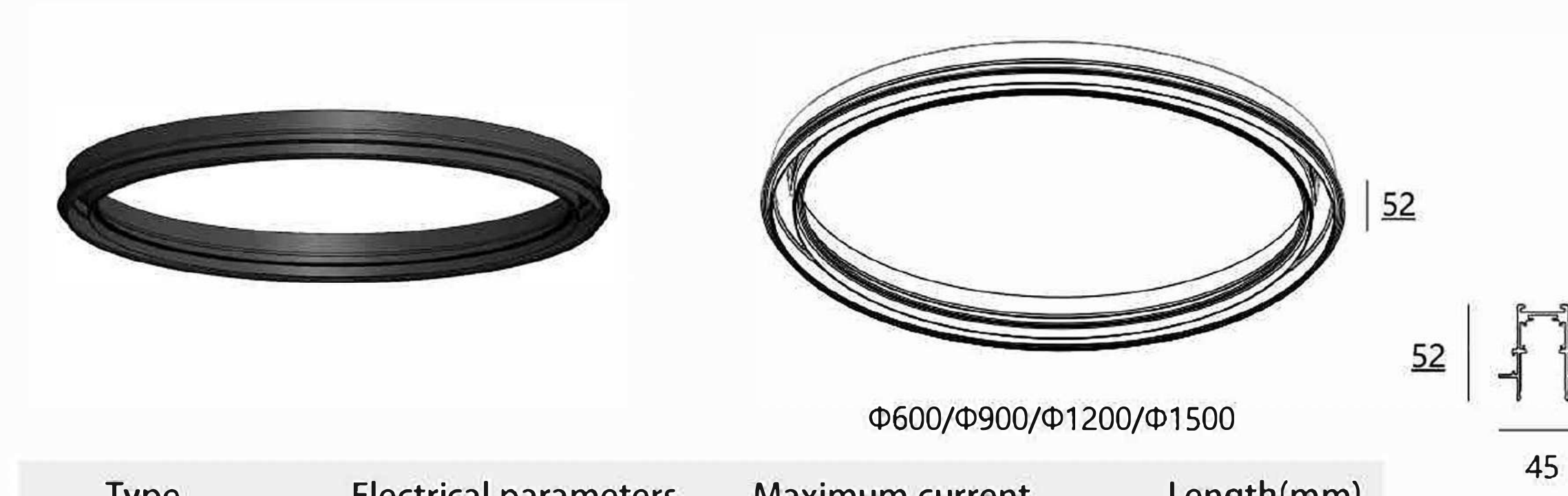
GPS-28



GPS-29

Type	Electrical parameters	Maximum current	Length(mm)
GPS-27-600-C90	DC 48V	4A max	45*52* $\Phi 600/\Phi 900/\Phi 1200/\Phi 1500$
GPS-27-900-C90			
GPS-27-1200-C90			
GPS-27-1500-C90			

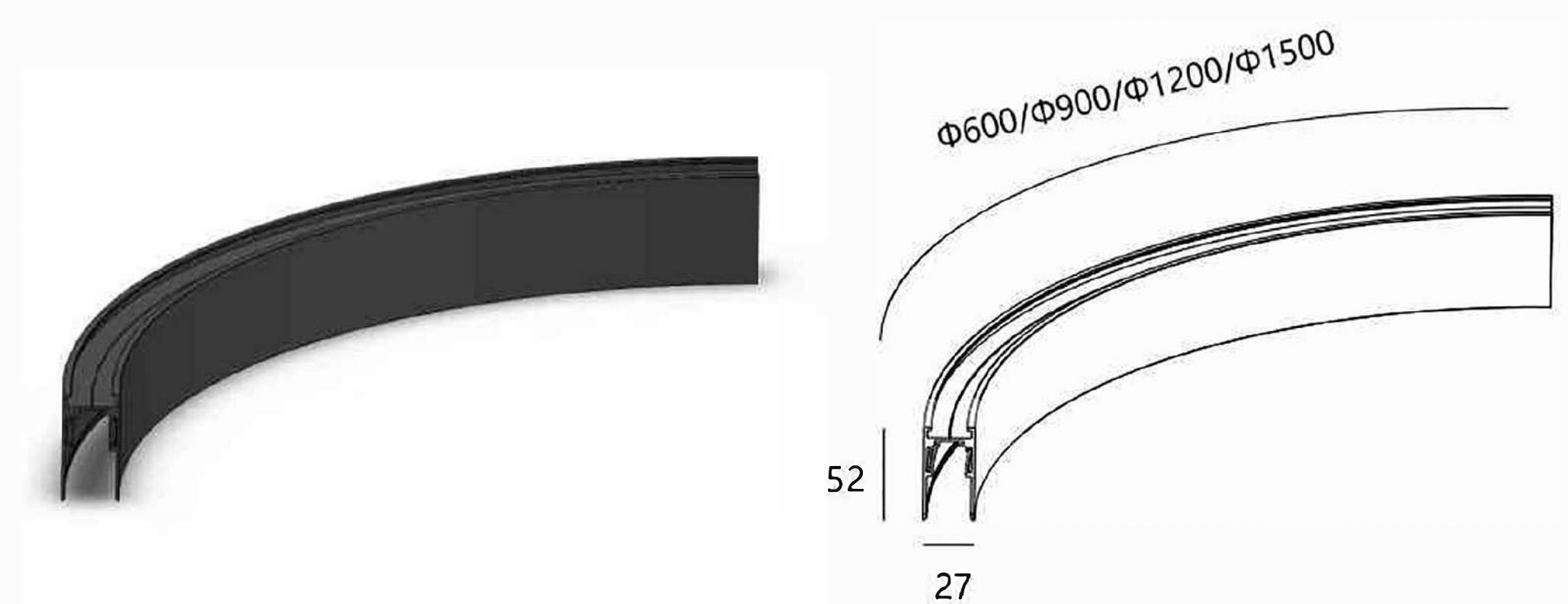
## CIRCULAR MAGNET TRACK



GPS-35

Type	Electrical parameters	Maximum current	Length(mm)
GPS-3-4-600	DC 48V	4A max	45*52* $\Phi 600/\Phi 900/\Phi 1200/\Phi 1500$
GPS-3-4-900			
GPS-3-4-1200			
GPS-3-4-1500			

## CIRCULAR MAGNET TRACK

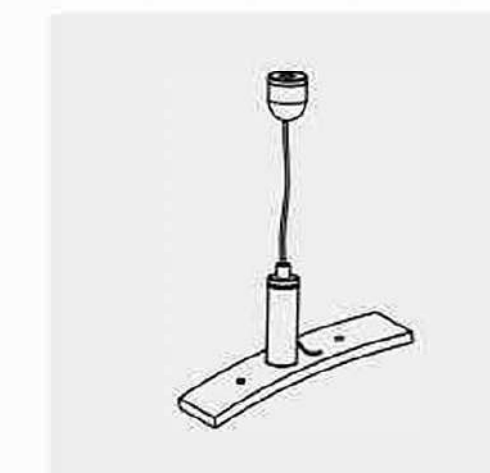


GPS-31



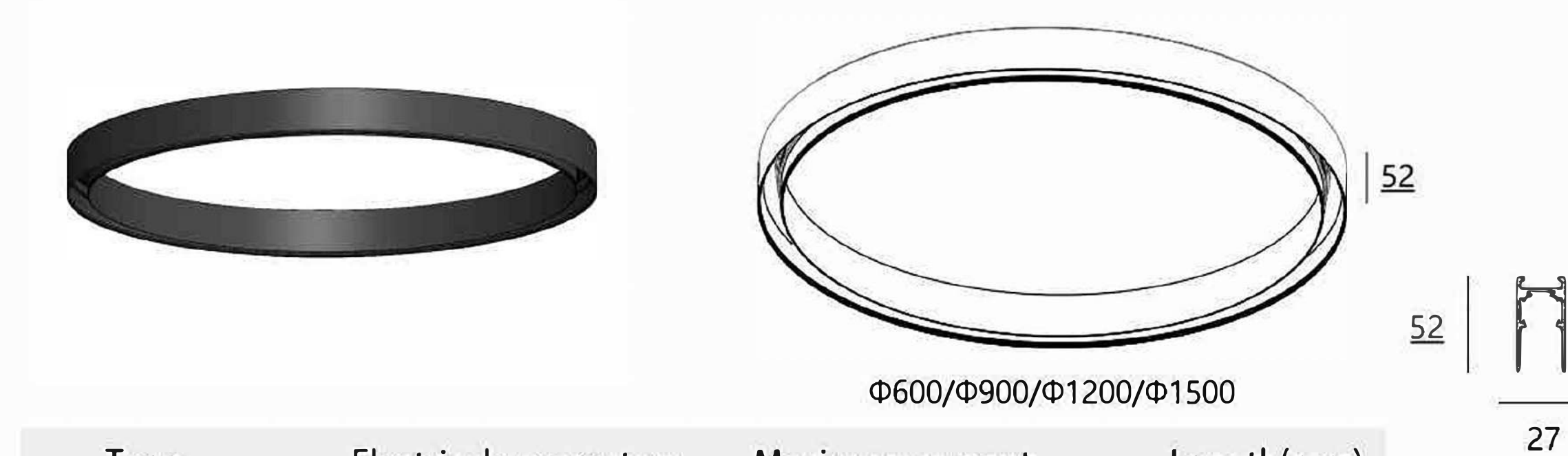
GPS-32

Type	Electrical parameters	Maximum current	Length(mm)
GPS-30-600-C90	DC 48V	4A max	27*52* $\Phi 600/\Phi 900/\Phi 1200/\Phi 1500$
GPS-30-900-C90			
GPS-30-1200-C90			
GPS-30-1500-C90			

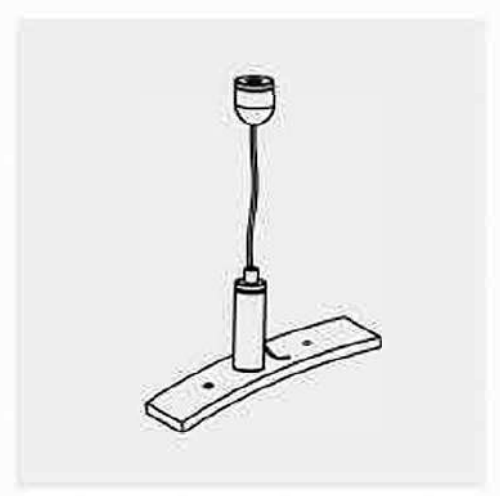


GPS-33

## CIRCULAR MAGNET TRACK



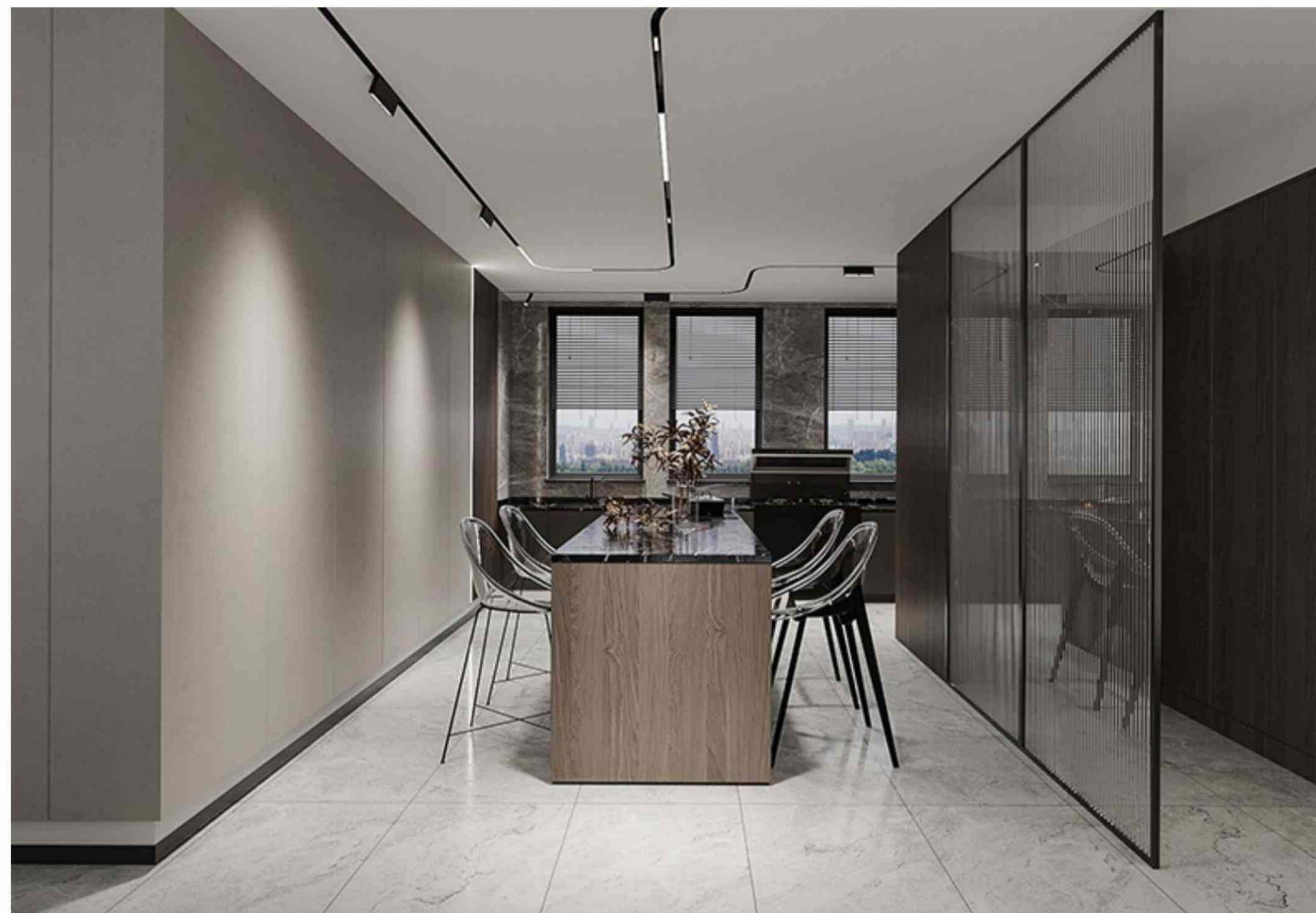
GPS-37



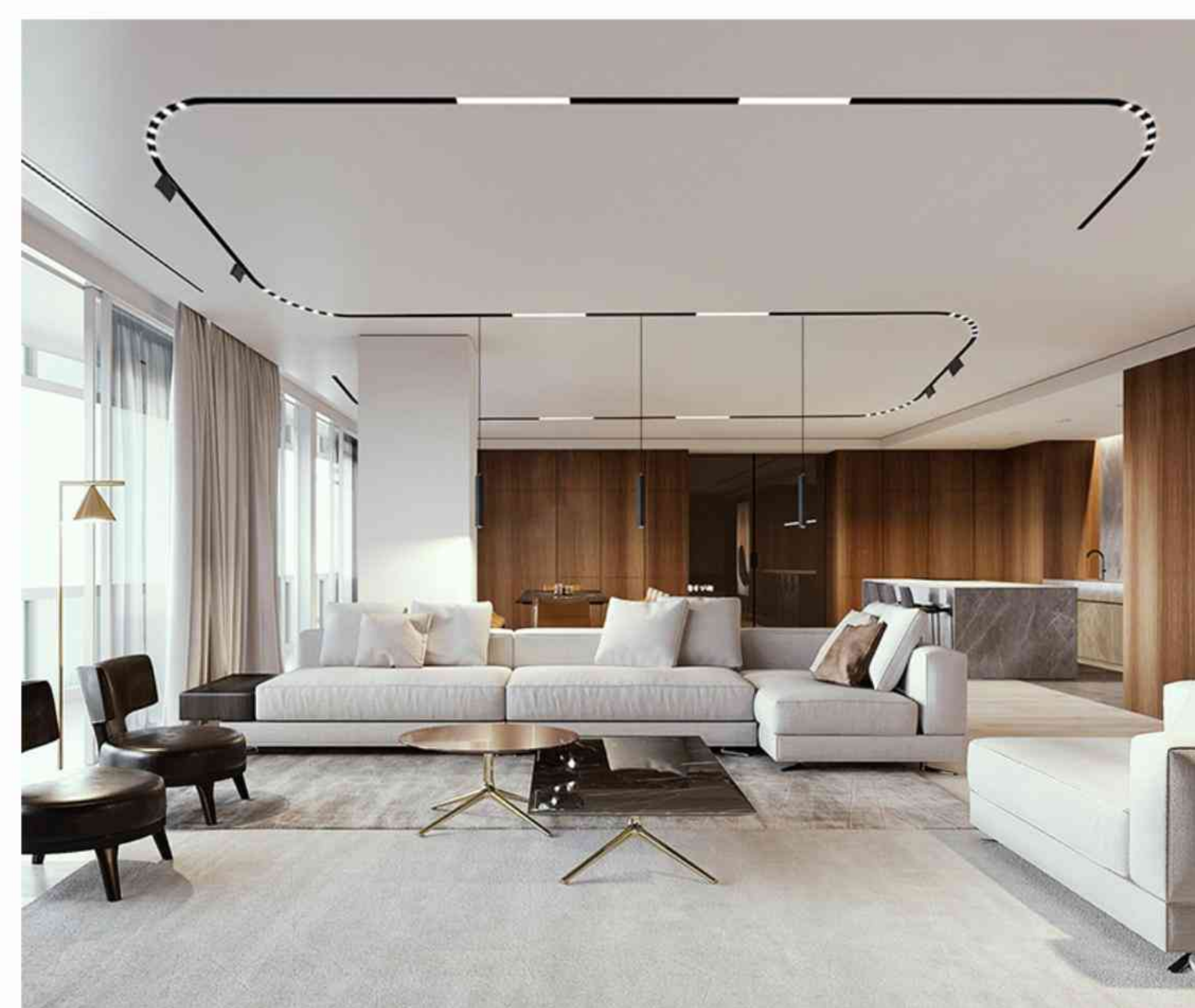
GPS-38

Type	Electrical parameters	Maximum current	Length(mm)
GPS-36-600	DC 48V	4A max	27*52* $\Phi 600/\Phi 900/\Phi 1200/\Phi 1500$
GPS-36-900			
GPS-36-1200			
GPS-36-1500			

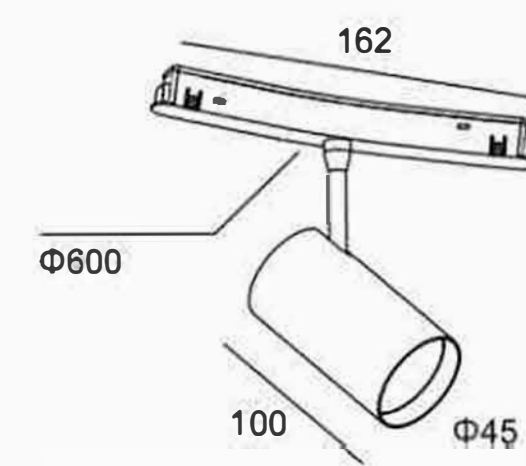
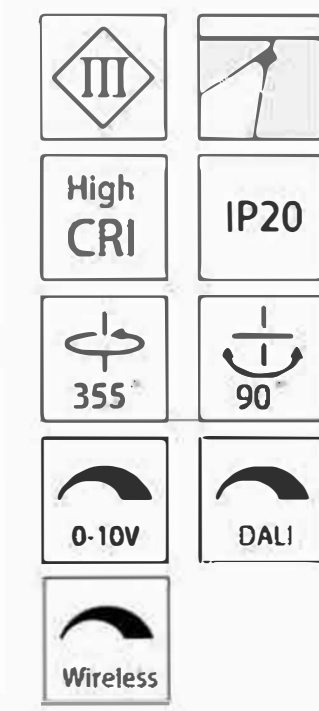




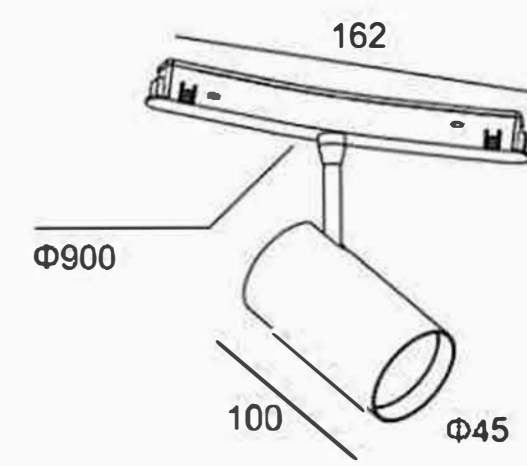
## CIRCULAR MAGNET TRACK



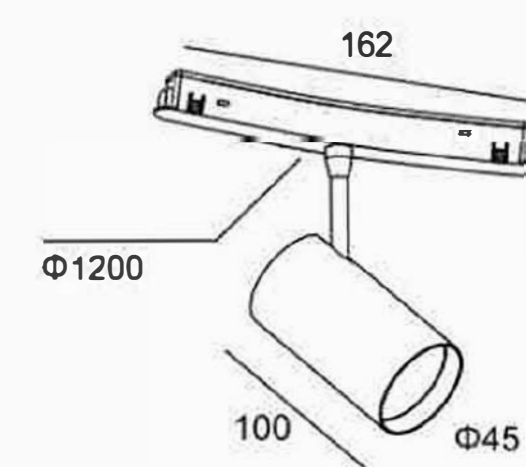




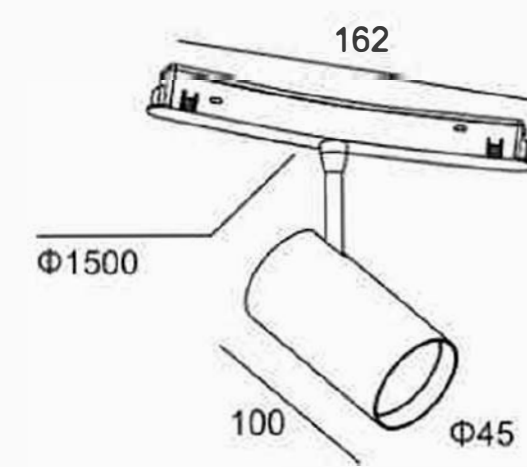
**GPS-39-600**  
 Light Source: COB  
 Mains voltage: DC48V  
 Power: 12 W  
 CRI: Ra ≥ 90  
 CCT: 2700K/3000K/4000K/5000K  
 OPTIC: 15° / 24° / 36°



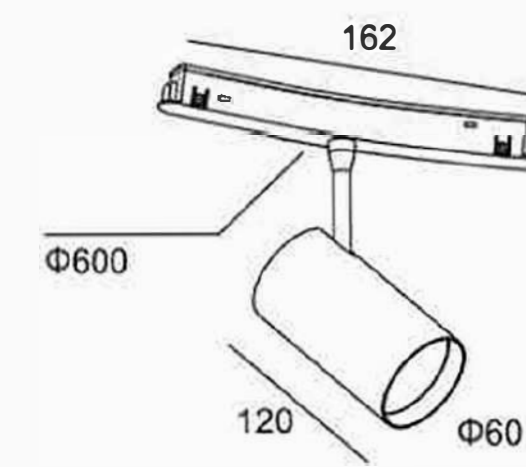
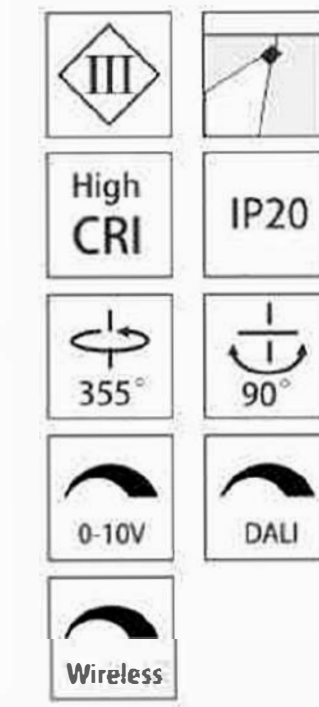
**GPS-40-900**  
 Light Source: COB  
 Mains voltage: DC48V  
 Power: 12W  
 CRI: Ra ≥ 90  
 CCT: 2700K/3000K/4000K/5000K  
 OPTIC: 15° / 24° / 36°



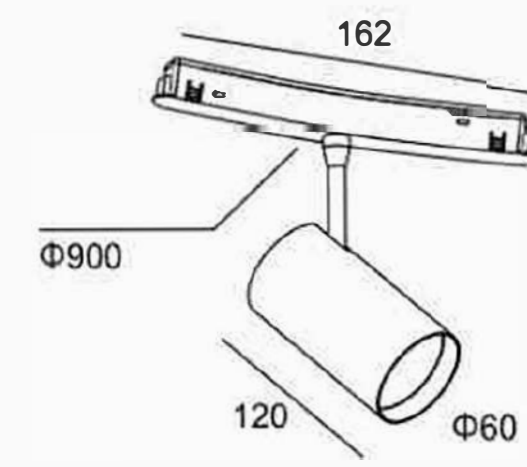
**GPS-41-1200**  
 Light Source: COB  
 Mains voltage: DC48V  
 Power: 12 W  
 CRI: Ra ≥ 90  
 CCT: 2700K/3000K/4000K/5000K  
 OPTIC: 15° / 24° / 36°



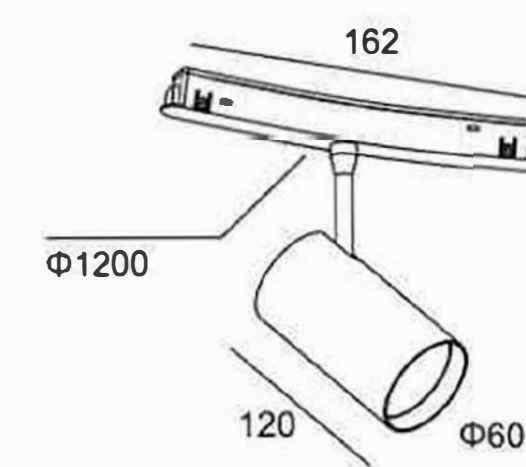
**GPS-42-1500**  
 Light Source: COB  
 Mains voltage: DC48V  
 Power: 12 W  
 CRI: Ra ≥ 90  
 CCT: 2700K/3000K/4000K/5000K  
 OPTIC: 15° / 24° / 36°



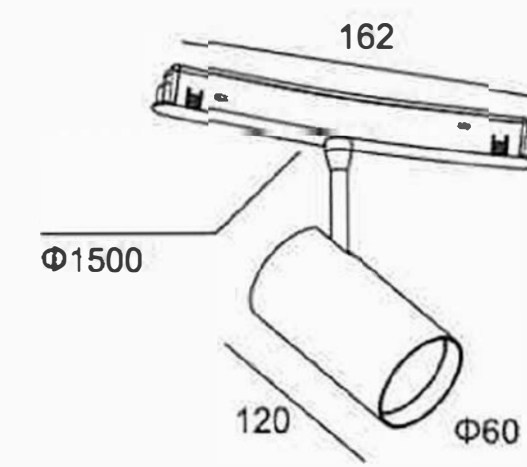
**GPS-43-600**  
 Light Source: COB  
 Mains voltage: DC48V  
 Power: 18 W  
 CRI: Ra ≥ 90  
 CCT: 2700K/3000K/4000K/5000K  
 OPTIC: 15° / 24° / 36°



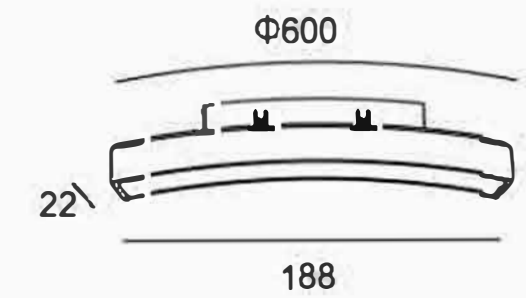
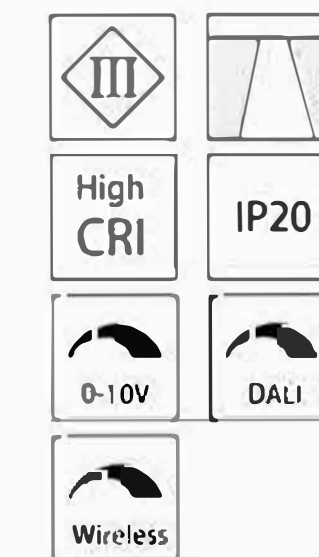
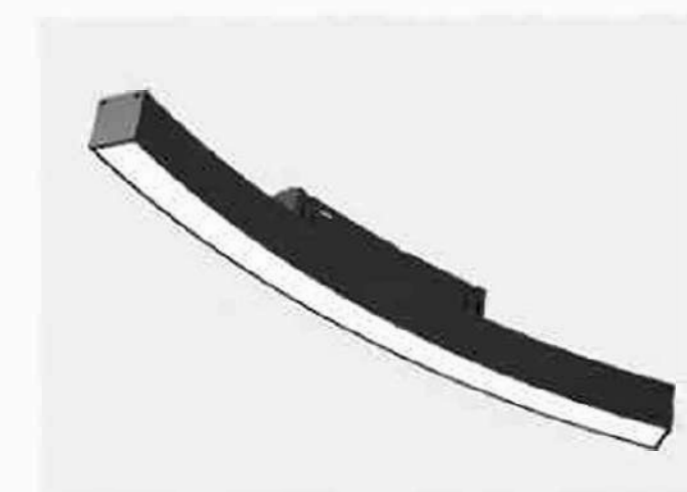
**GPS-44-900**  
 Light Source: COB  
 Mains voltage: DC48V  
 Power: 18 W  
 CRI: Ra ≥ 90  
 CCT: 2700K/3000K/4000K/5000K  
 OPTIC: 15° / 24° / 36°



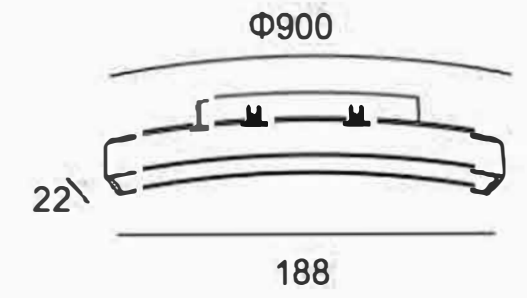
**GPS-45-1200**  
 Light Source: COB  
 Mains voltage: DC48V  
 Power: 18 W  
 CRI: Ra ≥ 90  
 CCT: 2700K/3000K/4000K/5000K  
 OPTIC: 15° / 24° / 36°



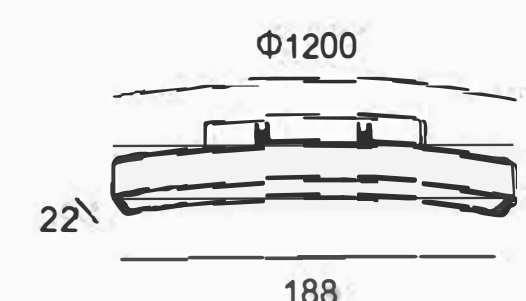
**GPS-46-1500**  
 Light Source: COB  
 Mains voltage: DC48V  
 Power: 18 W  
 CRI: Ra ≥ 90  
 CCT: 2700K/3000K/4000K/5000K  
 OPTIC: 15° / 24° / 36°



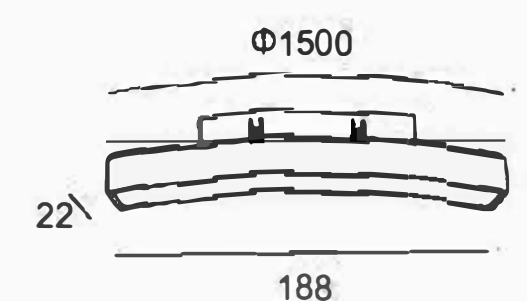
**GPS-47-600**  
 Light Source: LED  
 Mains voltage: DC48V  
 Power: 10 W  
 CRI: Ra ≥ 80  
 CCT: 2700K/3000K/4000K/5000K  
 OPTIC: 100°



**GPS-48-900**  
 Light Source: LED  
 Mains voltage: DC48V  
 Power: 10 W  
 CRI: Ra ≥ 80  
 CCT: 2700K/3000K/4000K/5000K  
 OPTIC: 100°



**GPS-49-1200**  
 Light Source: LED  
 Mains voltage: DC48V  
 Power: 10 W  
 CRI: Ra ≥ 80  
 CCT: 2700K/3000K/4000K/5000K  
 OPTIC: 100°

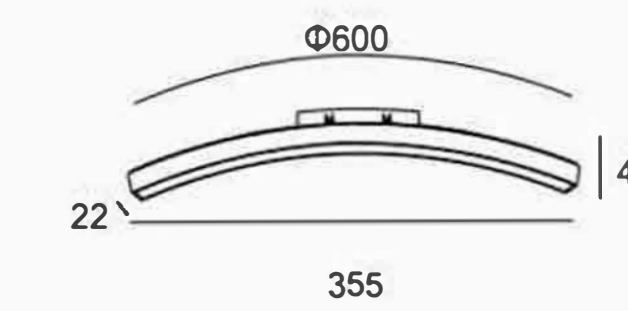
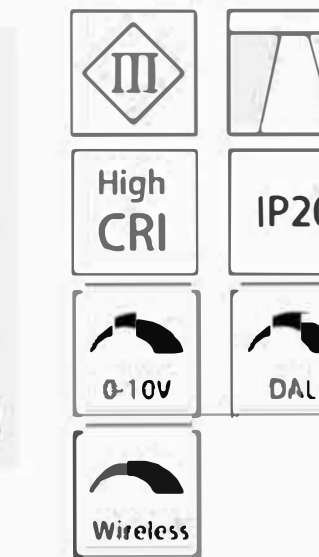


**GPS-50-1500**  
 Light Source: LED  
 Mains voltage: DC48V  
 Power: 10 W  
 CRI: Ra ≥ 80  
 CCT: 2700K/3000K/4000K/5000K  
 OPTIC: 100°

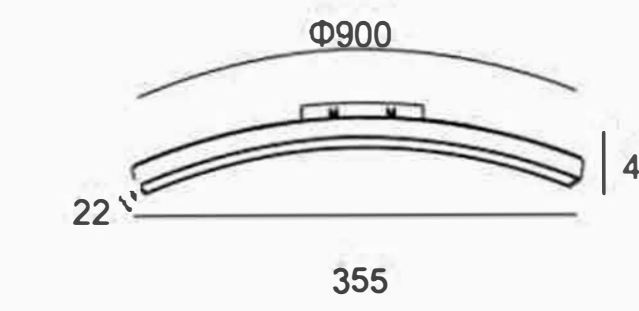
COLORS



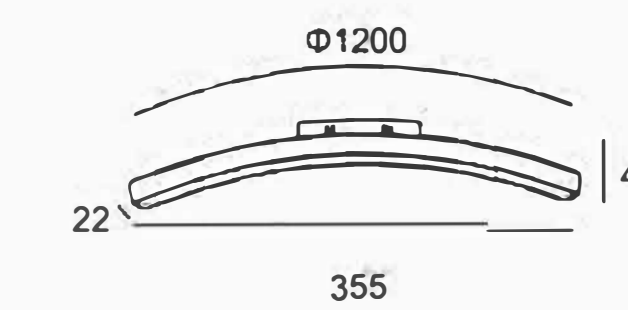
BK



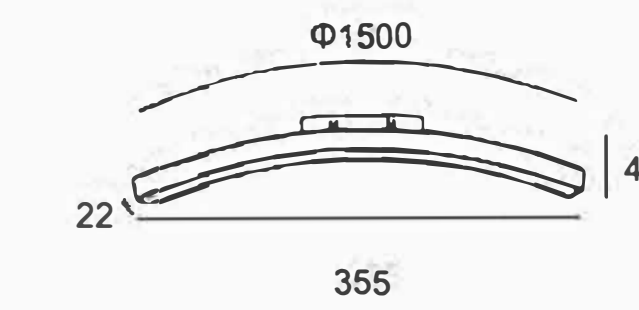
**GPS-51-600**  
 Light Source: LED  
 Mains voltage: DC48V  
 Power: 20 W  
 CRI: Ra ≥ 80  
 CCT: 2700K/3000K/4000K/5000K  
 OPTIC: 100°



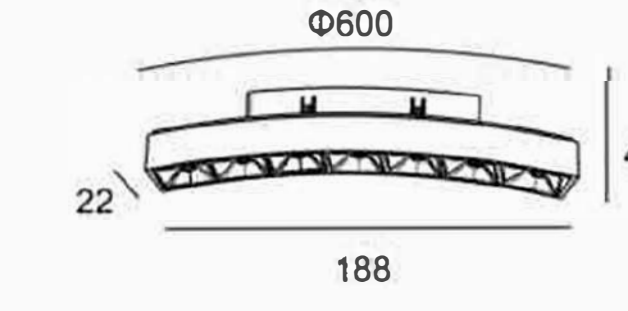
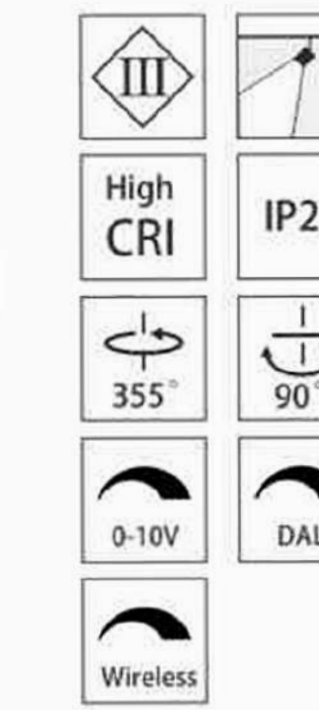
**GPS-52-900**  
 Light Source: LED  
 Mains voltage: DC48V  
 Power: 20 W  
 CRI: Ra ≥ 80  
 CCT: 2700K/3000K/4000K/5000K  
 OPTIC: 100°



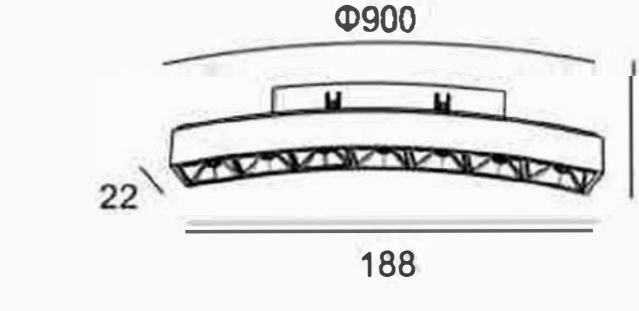
**GPS-53-1200**  
 Light Source: LED  
 Mains voltage: DC48V  
 Power: 20 W  
 CRI: Ra ≥ 80  
 CCT: 2700K/3000K/4000K/5000K  
 OPTIC: 100°



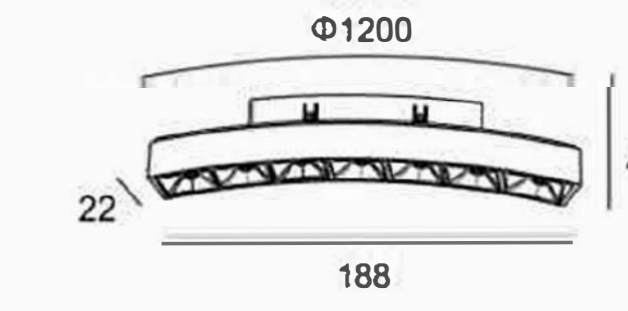
**GPS-54-1500**  
 Light Source: LED  
 Mains voltage: DC48V  
 Power: 20 W  
 CRI: Ra ≥ 80  
 CCT: 2700K/3000K/4000K/5000K  
 OPTIC: 100°



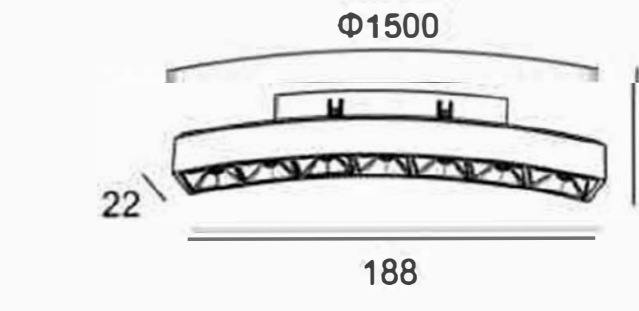
**GPS-55-600**  
 Light Source: LED  
 Mains voltage: DC48V  
 Power: 6 W  
 CRI: Ra ≥ 90  
 CCT: 2700K/3000K/4000K/5000K  
 OPTIC: 24° / 40°



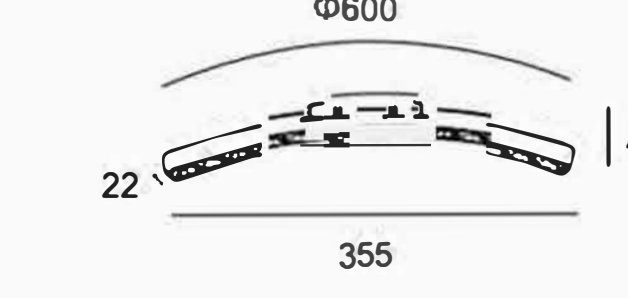
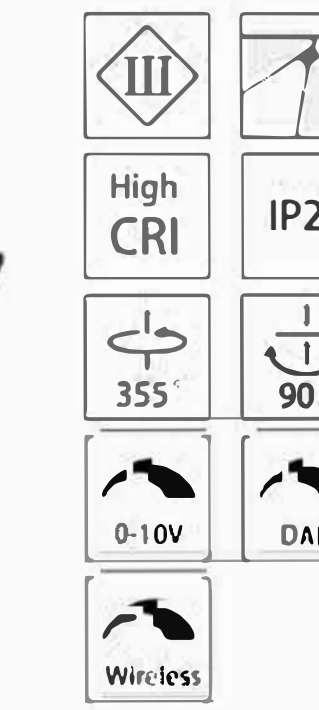
**GPS-56-900**  
 Light Source: LED  
 Mains voltage: DC48V  
 Power: 6 W  
 CRI: Ra ≥ 90  
 CCT: 2700K/3000K/4000K/5000K  
 OPTIC: 24° / 40°



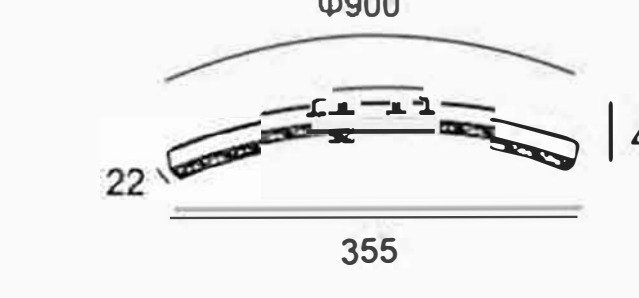
**GPS-57-1200**  
 Light Source: LED  
 Mains voltage: DC48V  
 Power: 6 W  
 CRI: Ra ≥ 90  
 CCT: 2700K/3000K/4000K/5000K  
 OPTIC: 24° / 40°



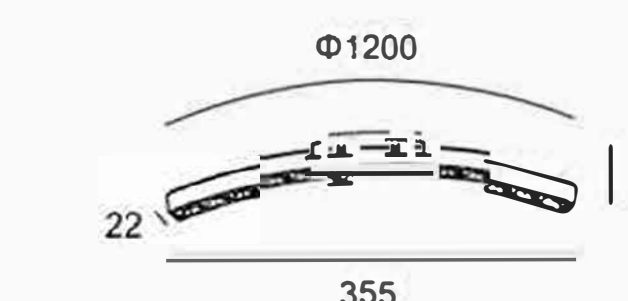
**GPS-58-1500**  
 Light Source: LED  
 Mains voltage: DC48V  
 Power: 6 W  
 CRI: Ra ≥ 90  
 CCT: 2700K/3000K/4000K/5000K  
 OPTIC: 24° / 40°



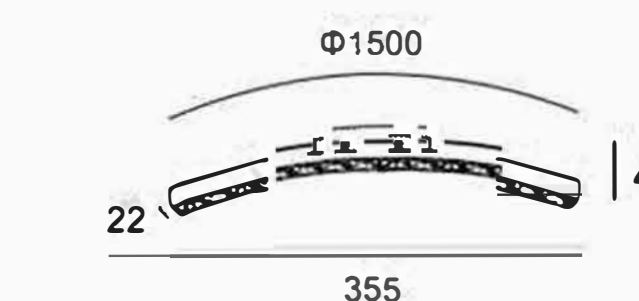
**GPS-59-600**  
 Light Source: LED  
 Mains voltage: DC48V  
 Power: 12 W  
 CRI: Ra ≥ 90  
 CCT: 2700K/3000K/4000K/5000K  
 OPTIC: 24° / 40°



**GPS-60-900**  
 Light Source: LED  
 Mains voltage: DC48V  
 Power: 12 W  
 CRI: Ra ≥ 90  
 CCT: 2700K/3000K/4000K/5000K  
 OPTIC: 24° / 40°



**GPS-61-1200**  
 Light Source: LED  
 Mains voltage: DC48V  
 Power: 12 W  
 CRI: Ra ≥ 90  
 CCT: 2700K/3000K/4000K/5000K  
 OPTIC: 24° / 40°



**GPS-62-1500**  
 Light Source: LED  
 Mains voltage: DC48V  
 Power: 12 W  
 CRI: Ra ≥ 90  
 CCT: 2700K/3000K/4000K/5000K  
 OPTIC: 24° / 40°

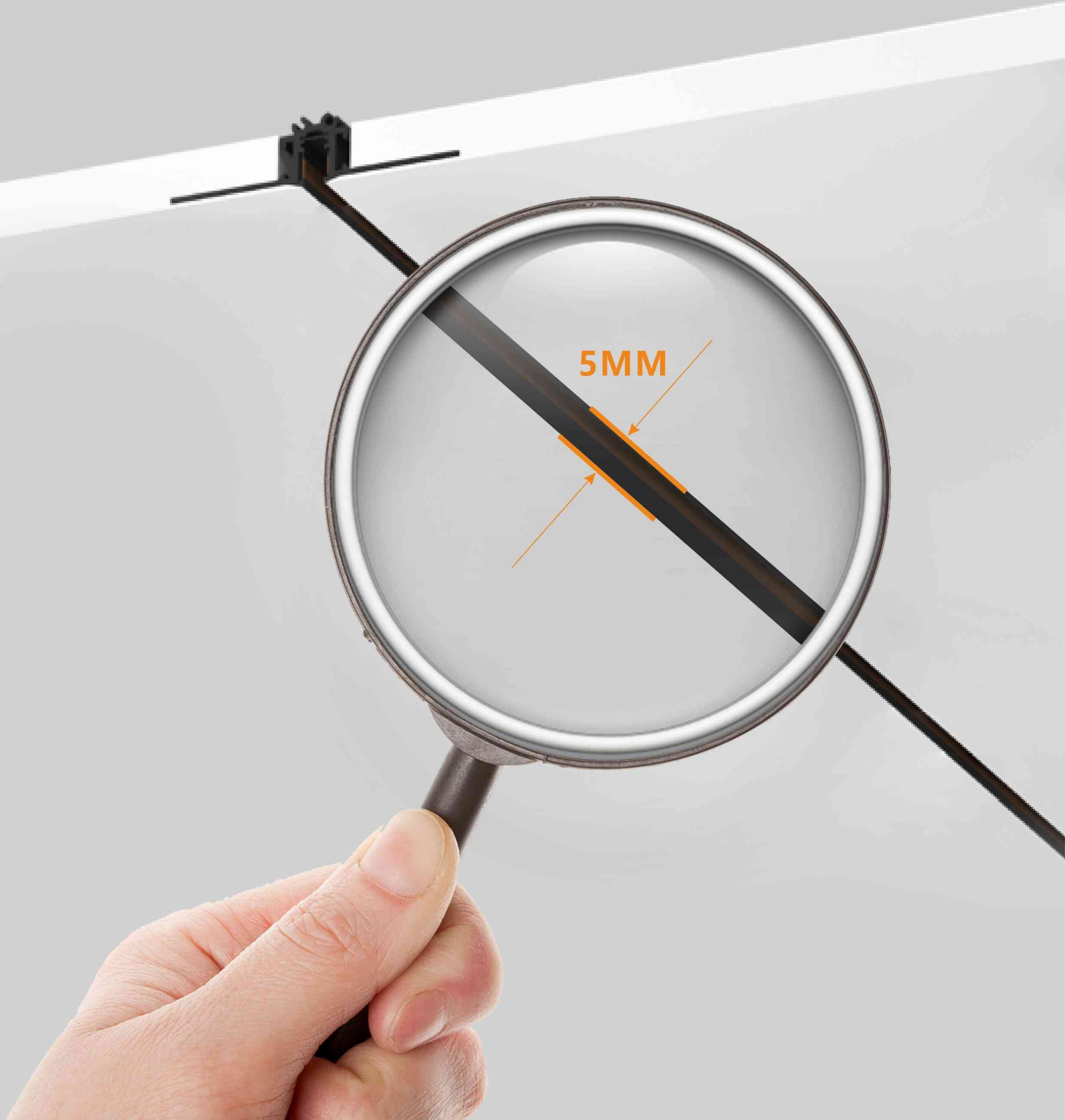
COLORS



BK



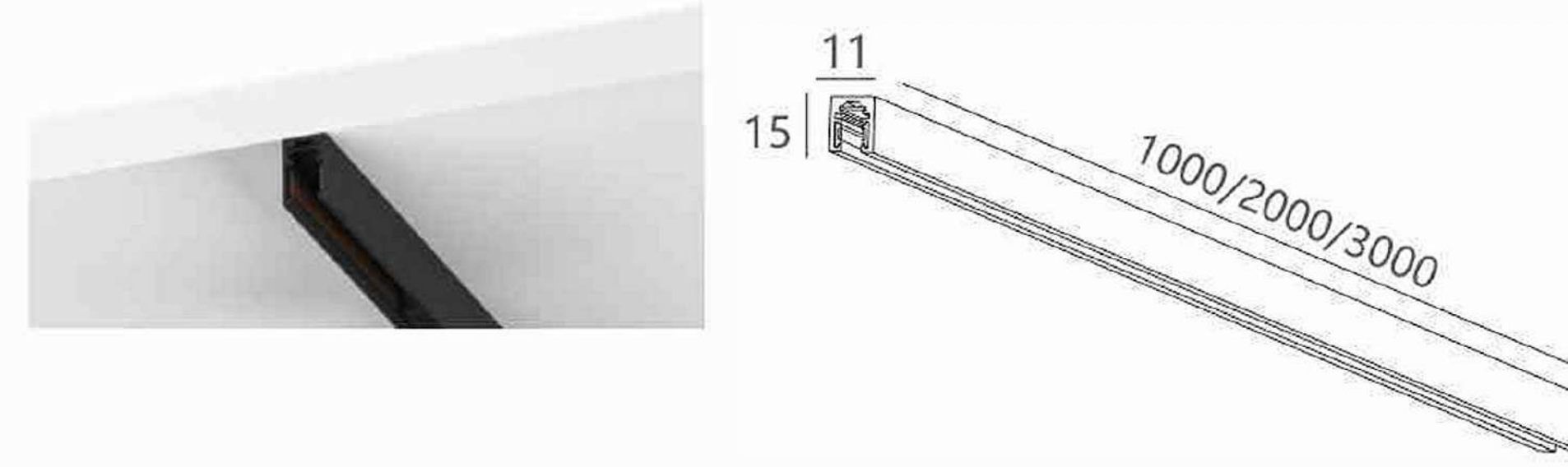
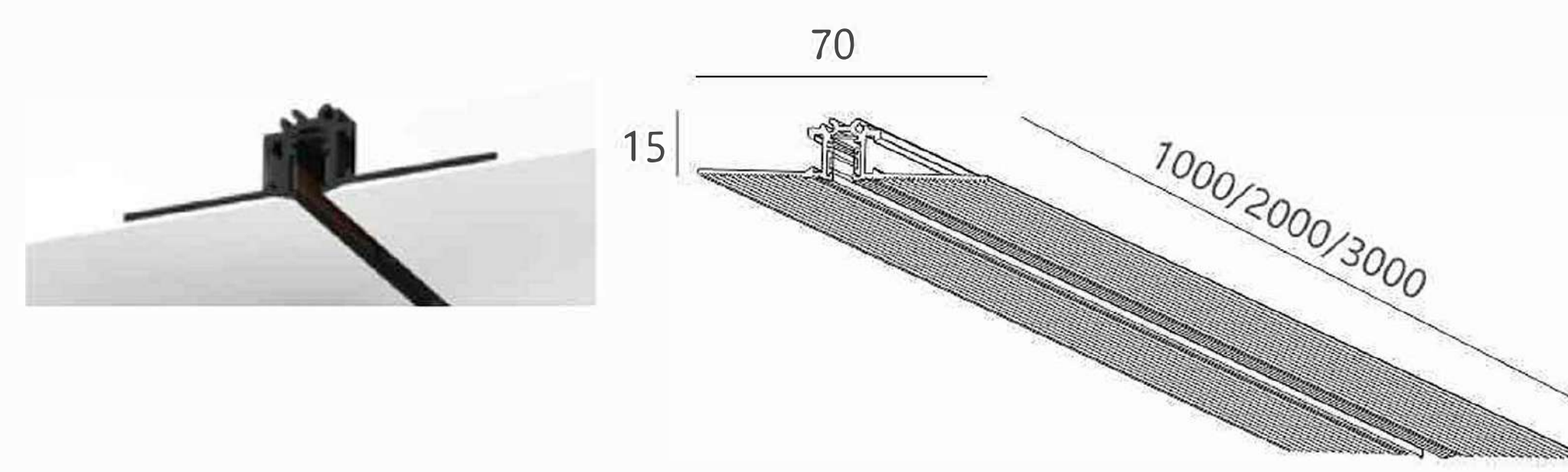
# Mini magnet track



# Mini magnet track



## MagnetTrack

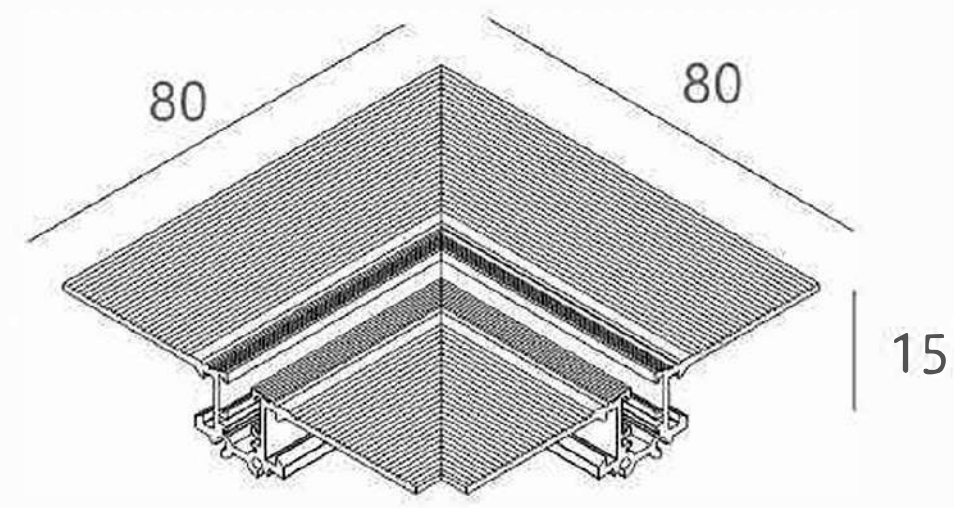


Type	Electrical parameters	Maximum current	Length(mm)
GPS-63-1M	DC48V	4Amax	1000
GPS-63-2M	DC48V	4Amax	2000
GPS-63-3M	DC48V	4Amax	3000

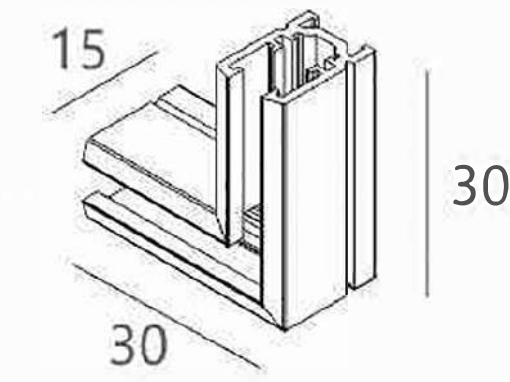
Type	Electrical parameters	Maximum current	Length(mm)
GPS-65-1M	DC48V	4Amax	1000
GPS-65-2M	DC48V	4Amax	2000
GPS-65-3M	DC48V	4Amax	3000

## Track Parts

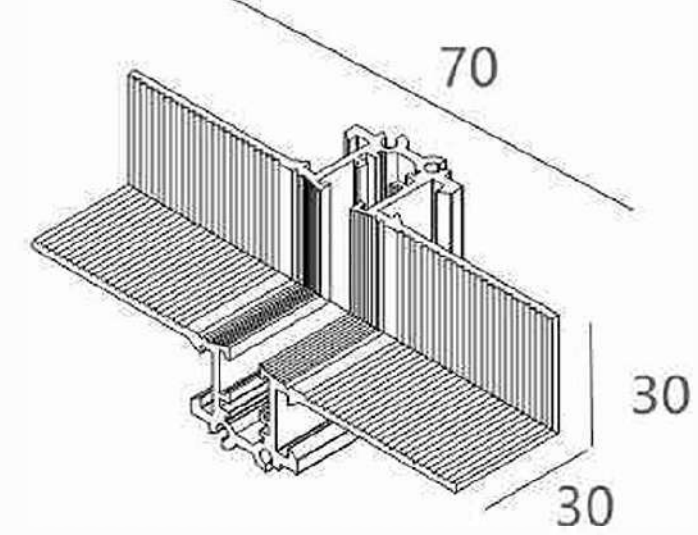
GPS-63-L02



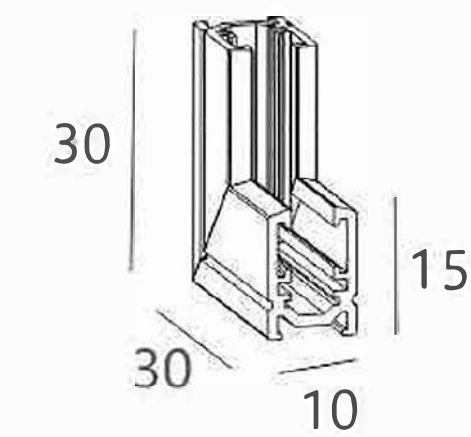
GPS-65-L02



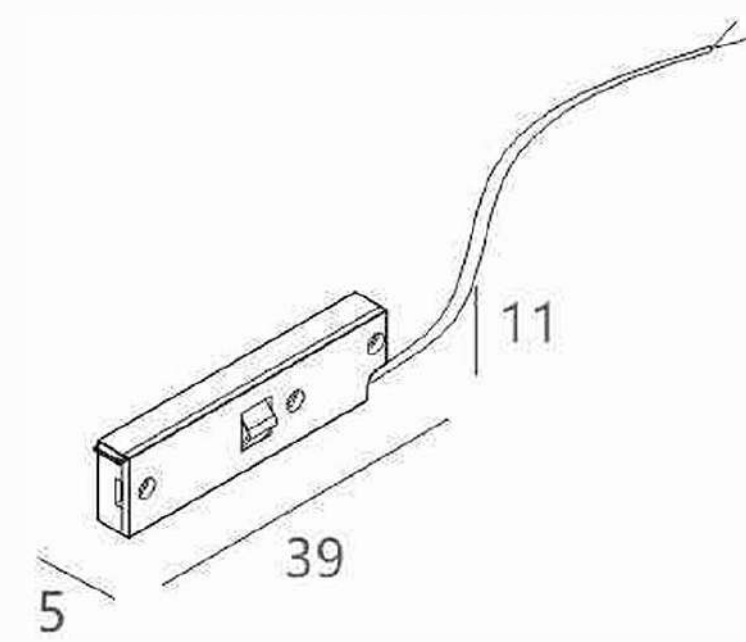
GPS-63-J02



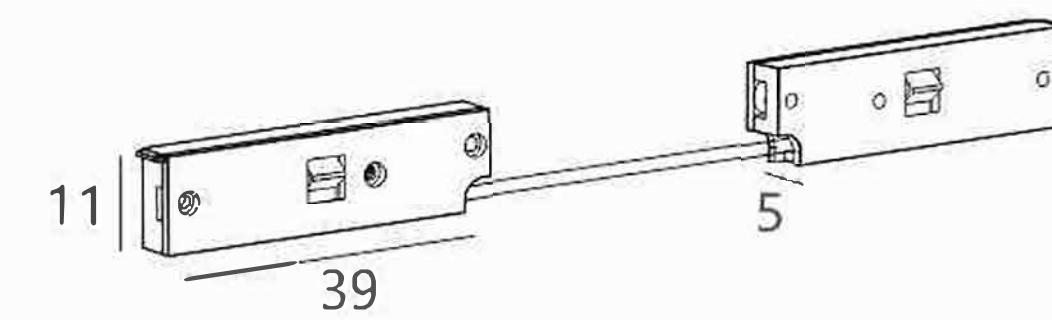
GPS-65-J02



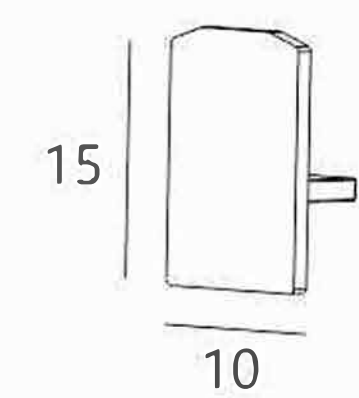
GPS-64-E01



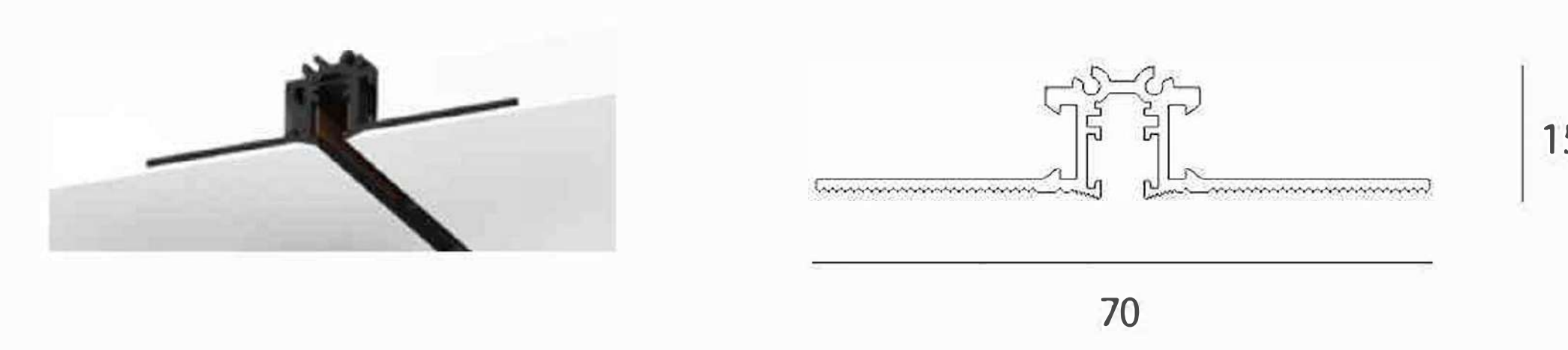
GPS-64-E02



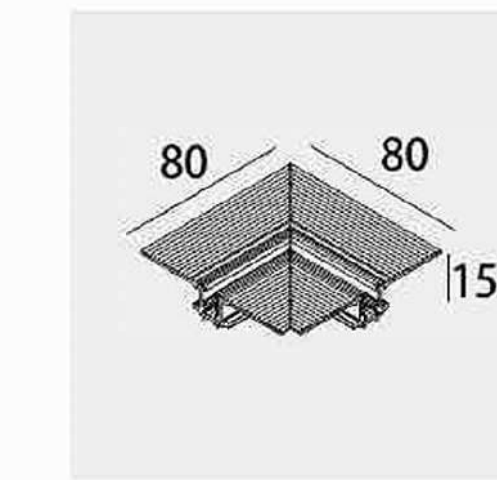
WT-END



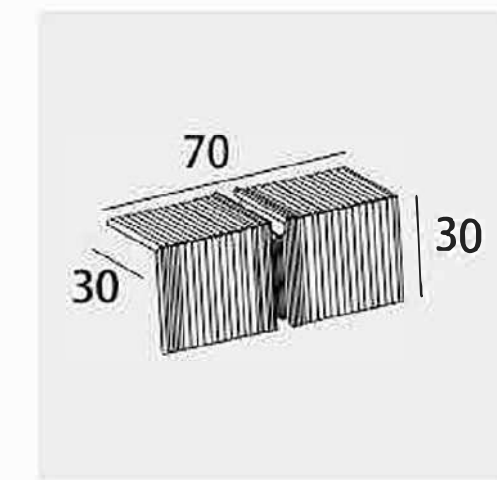
## WRT Track (Flush mounting)



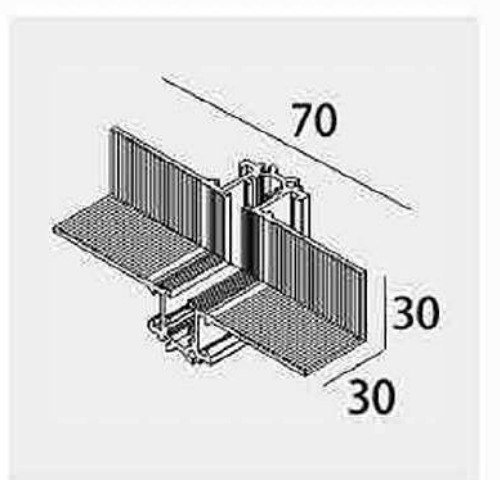
Type	Electrical parameters	Maximum current	Length(mm)
GPS-66-0.5M	DC 24V	4A max	500
GPS-66-1M	DC 24V	4A max	1000
GPS-66-2M	DC 24V	4A max	2000
GPS-66-3M	DC 24V	4A max	3000



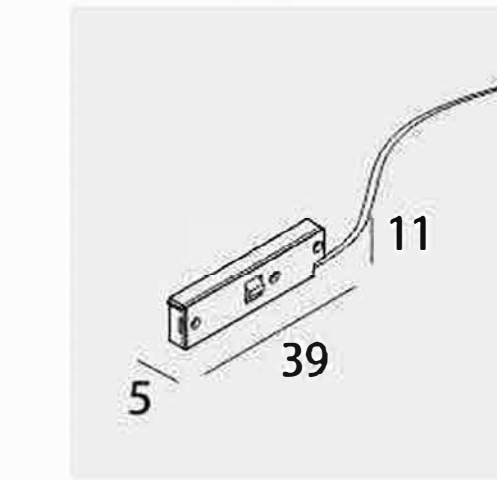
GPS-66-L01



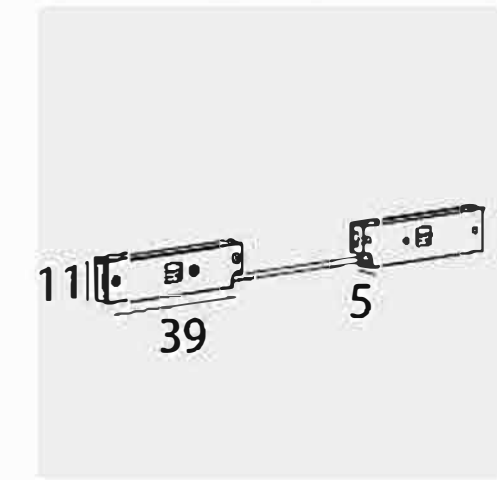
GPS-66-J01



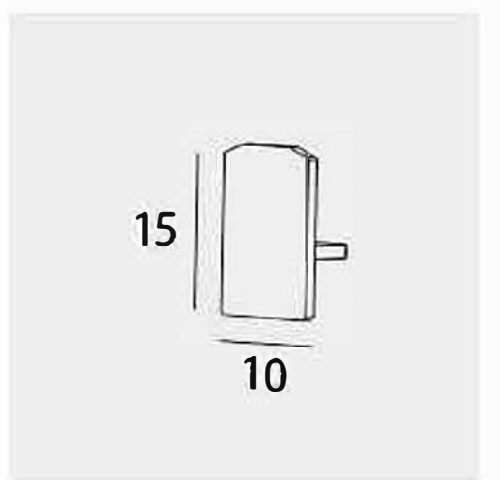
GPS-66-J02



GPS-64-E01



GPS-64-E02

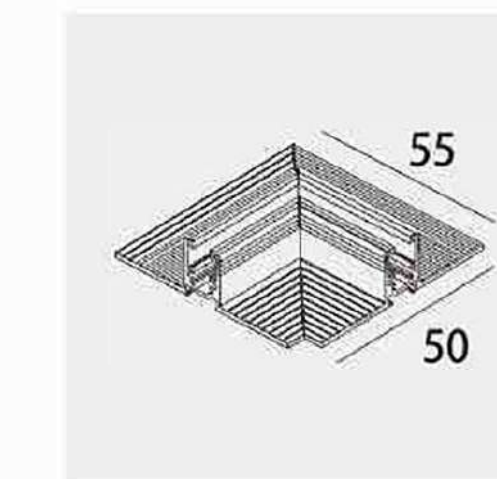
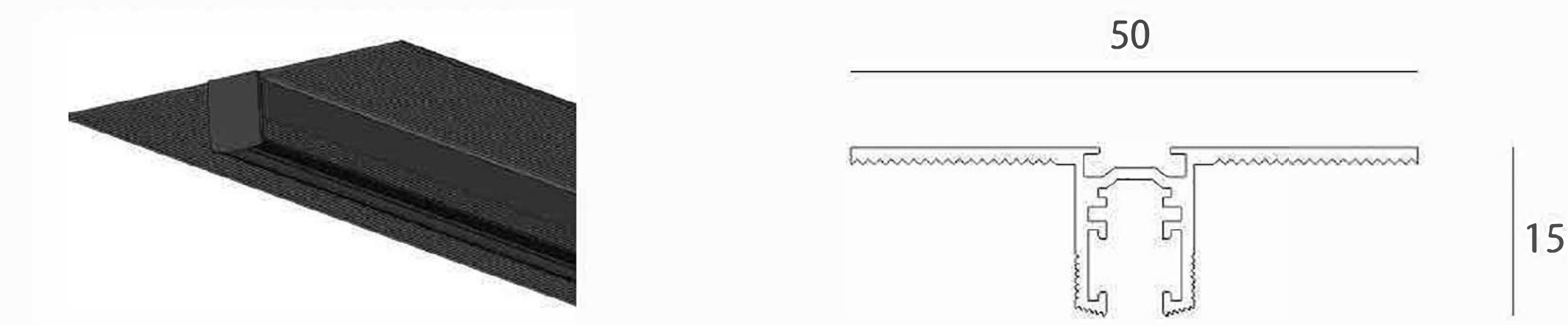


GPS-64-END

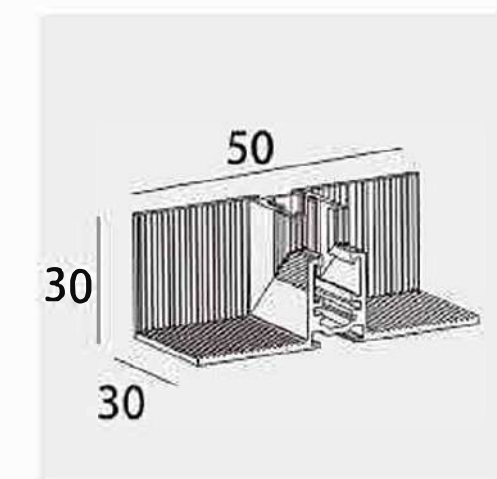


GPS-64-C01

## WDT Track (CLAMP PLATE)



GPS-67-L02

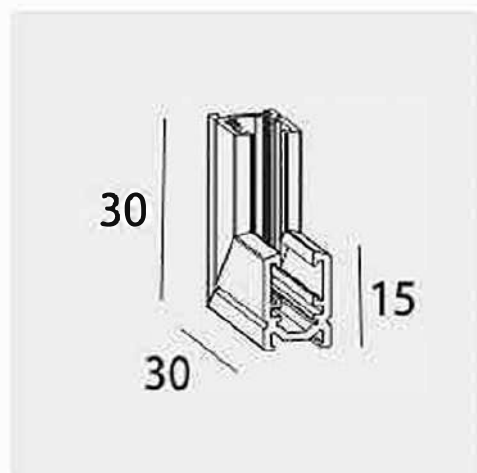
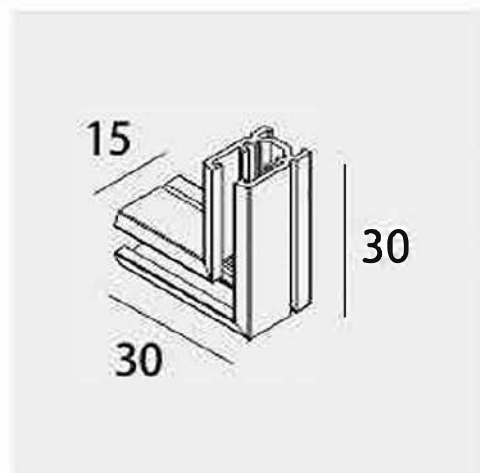
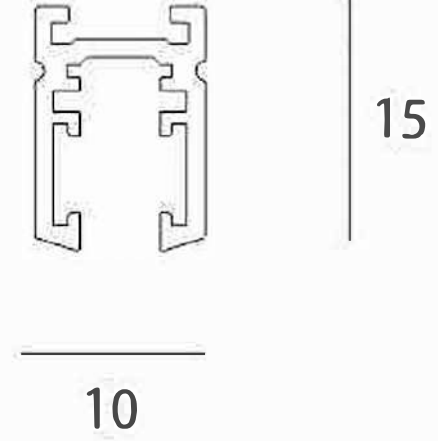


GPS-67-J02

Type	Electrical parameters	Maximum current	Length(mm)
GPS-67-0.5M	DC 24V	4A max	500
GPS-67-1M	DC 24V	4A max	1000
GPS-67-2M	DC 24V	4A max	2000
GPS-67-3M	DC 24V	4A max	3000



WST Track (Surface mounting)

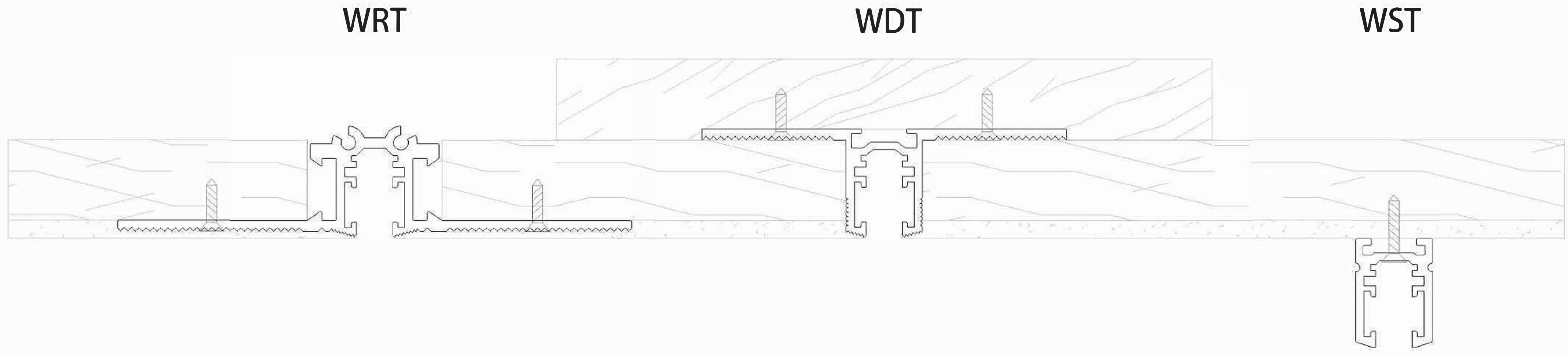


GPS-68-L02

GPS-68-D02

GPS-68-C01

Type	Electrical parameters	Maximum current	Length(mm)
GPS-68-0.5M	DC 24V	4A max	500
GPS-68-1M	DC 24V	4A max	1000
GPS-68-2M	DC 24V	4A max	2000
GPS-68-3M	DC 24V	4A max	3000

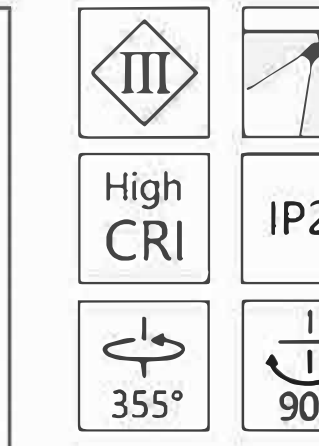
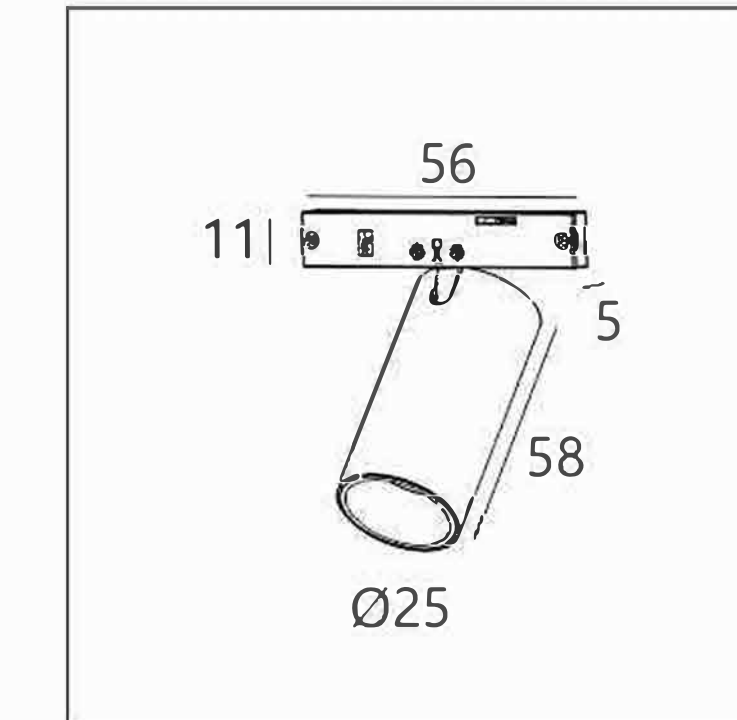


Mini  
magnet track



# Mini magnet track

## GPS-69



**LightSource:**  
LED

**Luminousflux:**  
180lm

**CRI:**  
Ra > 90

**CCT:**  
2700K/3000K/4000K/5000K

**Material:**  
Aluminum

**Power:**  
3W

**Outputvoltage:**  
3V

**Outputcurrent:**  
700mA

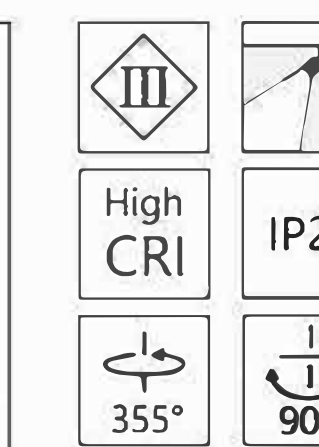
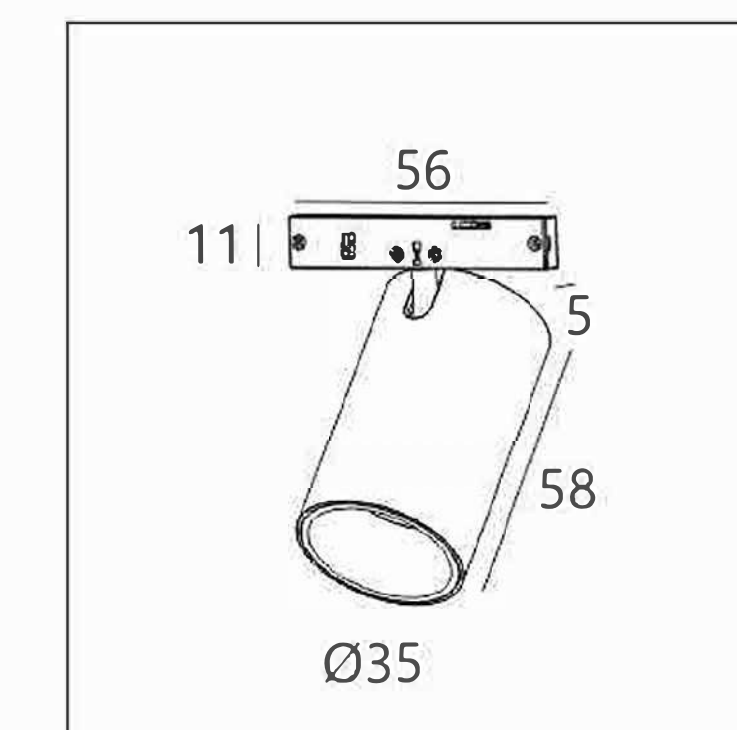
**OPTIC:**  
15°/24°/36°

**Mainsvoltage:**  
DC24V

**Description:**  
Magneticsuction

**Cutout:**  
/

## GPS-70



**LightSource:**  
COB

**Luminousflux:**  
500lm

**CRI:**  
Ra > 90

**CCT:**  
2700K/3000K/4000K/5000K

**Material:**  
Aluminum

**Power:**  
5W

**Outputvoltage:**  
36V

**Outputcurrent:**  
120mA

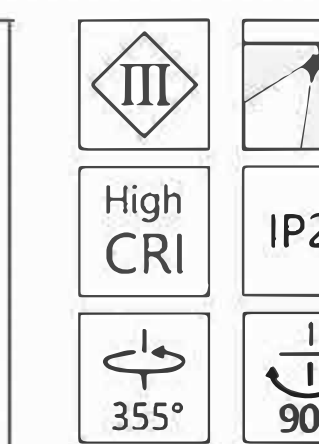
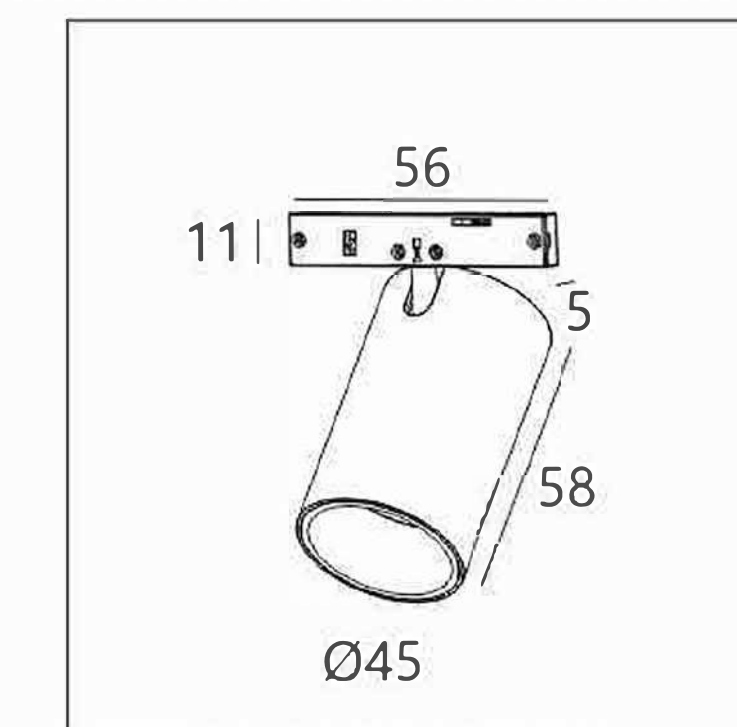
**OPTIC:**  
15°/24°/36°

**Mainsvoltage:**  
DC24V

**Description:**  
Magneticsuction

**Cutout:**  
/

## GPS-71



**LightSource:**  
COB

**Luminousflux:**  
700lm

**CRI:**  
Ra > 90

**CCT:**  
2700K/3000K/4000K/5000K

**Material:**  
Aluminum

**Power:**  
9W

**Outputvoltage:**  
36V

**Outputcurrent:**  
200mA

**OPTIC:**  
15°/24°/36°

**Mainsvoltage:**  
DC24V

**Description:**  
Magneticsuction

**Cutout:**  
/

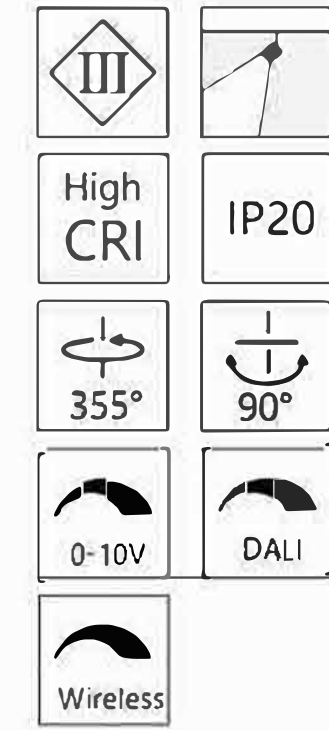
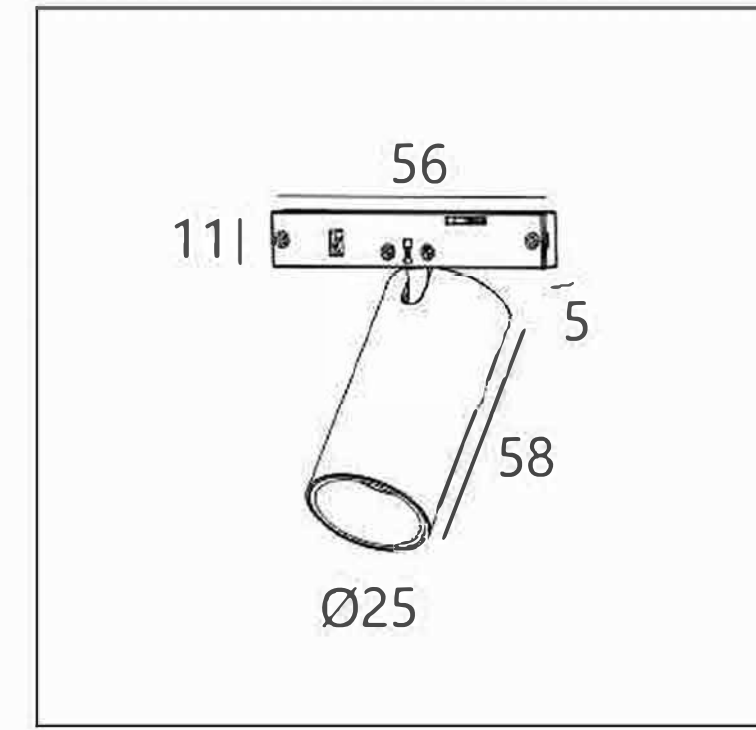
## COLORS



BK



GPS-72



**LightSource:**  
LED

**Luminousflux:**  
180lm

**CRI:**  
Ra>90

**CCT:**  
2700K/3000K/4000K/5000K

**Material:**  
Aluminum

**Power:**  
3W

**Outputvoltage:**  
3V

**Outputcurrent:**  
700mA

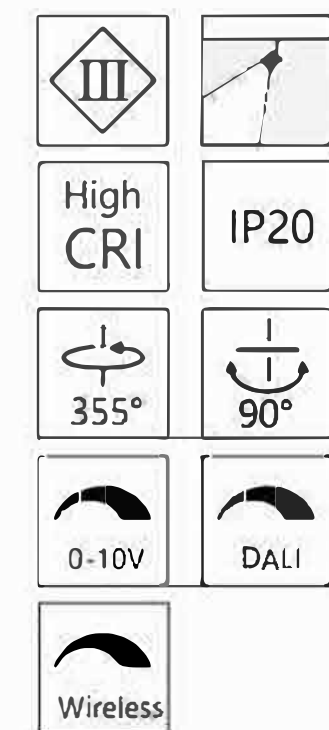
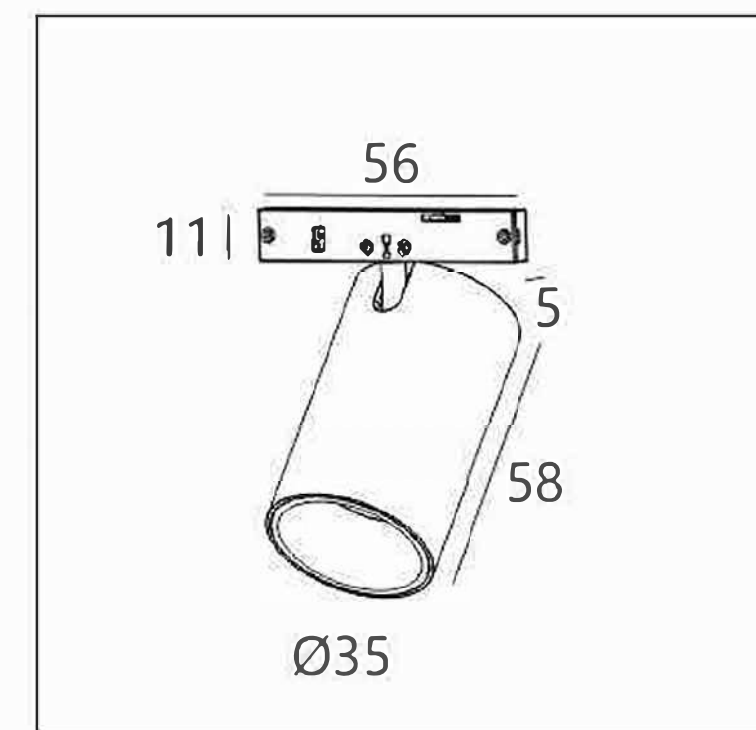
**OPTIC:**  
15°/24°/36°

**Mainsvoltage:**  
DC48V

**Description:**  
Magneticsuction

**Cutout:**  
/

GPS-73



**LightSource:**  
COB

**Luminousflux:**  
500lm

**CRI:**  
Ra>90

**CCT:**  
2700K/3000K/4000K/5000K

**Material:**  
Aluminum

**Power:**  
7W

**Outputvoltage:**  
36V

**Outputcurrent:**  
150mA

**OPTIC:**  
15°/24°/36°

**Mainsvoltage:**  
DC48V

**Description:**  
Magneticsuction

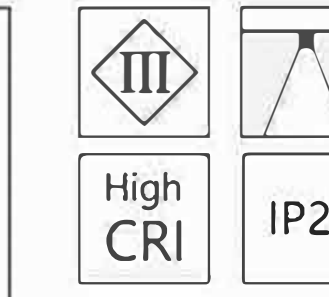
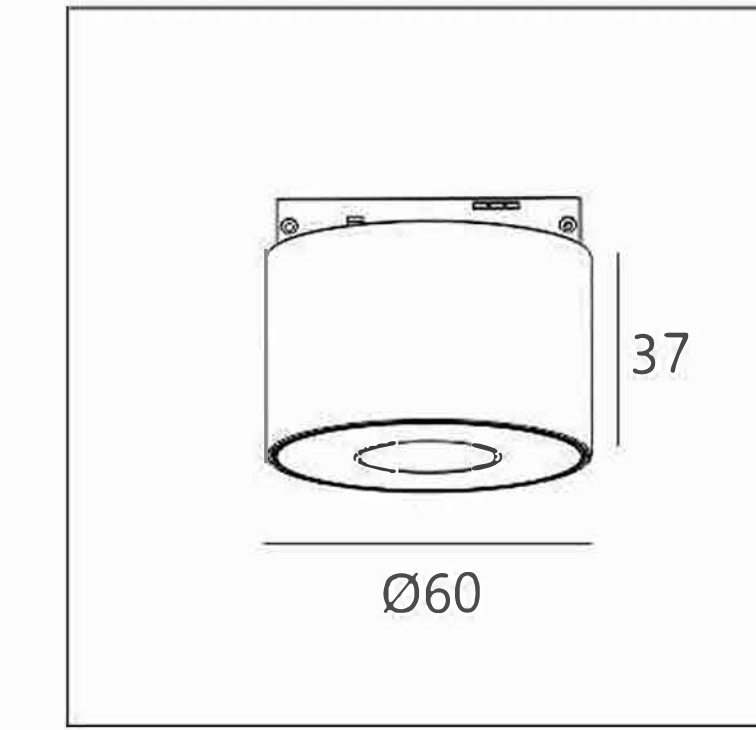
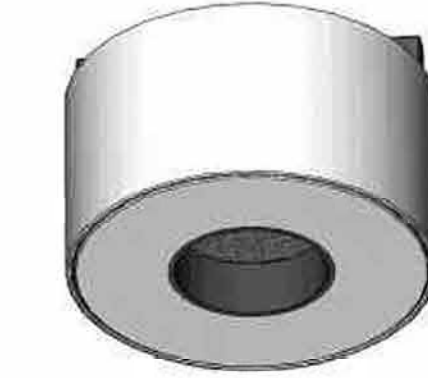
**Cutout:**  
/

COLORS



BK

GPS-74-A



**LightSource:**  
COB

**Luminousflux:**  
450lm

**CRI:**  
Ra>90

**CCT:**  
2700K/3000K/4000K/5000K

**Material:**  
Aluminum

**Power:**  
5W

**Outputvoltage:**  
36V

**Outputcurrent:**  
120mA

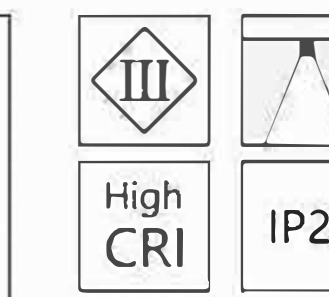
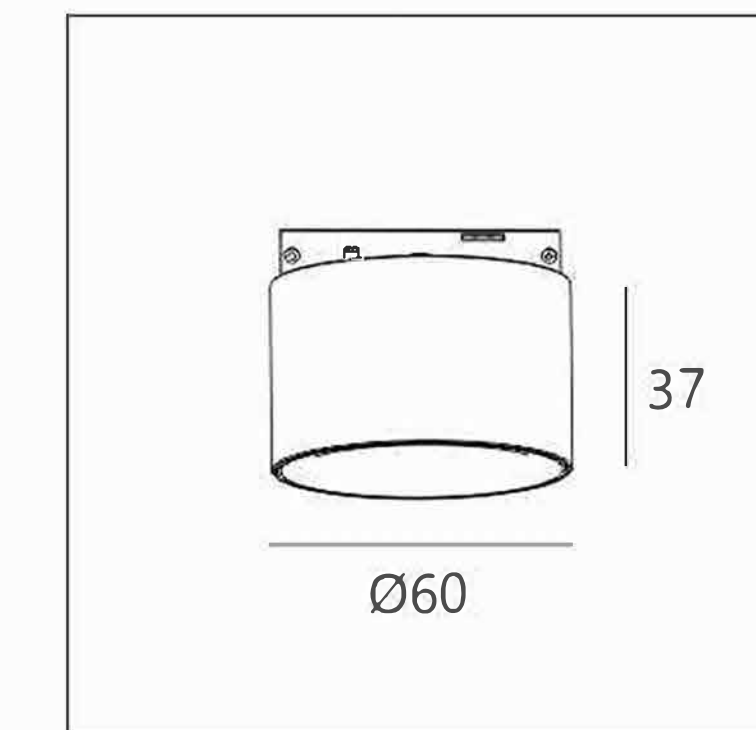
**OPTIC:**  
15°/24°/36°

**Mainsvoltage:**  
DC24V

**Description:**  
Magneticsuction

**Cutout:**  
/

GPS-74-B



**LightSource:**  
COB

**Luminousflux:**  
450lm

**CRI:**  
Ra>90

**CCT:**  
2700K/3000K/4000K/5000K

**Material:**  
Aluminum

**Power:**  
5W

**Outputvoltage:**  
36V

**Outputcurrent:**  
120mA

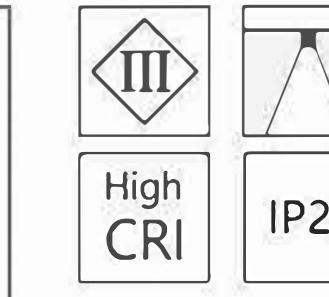
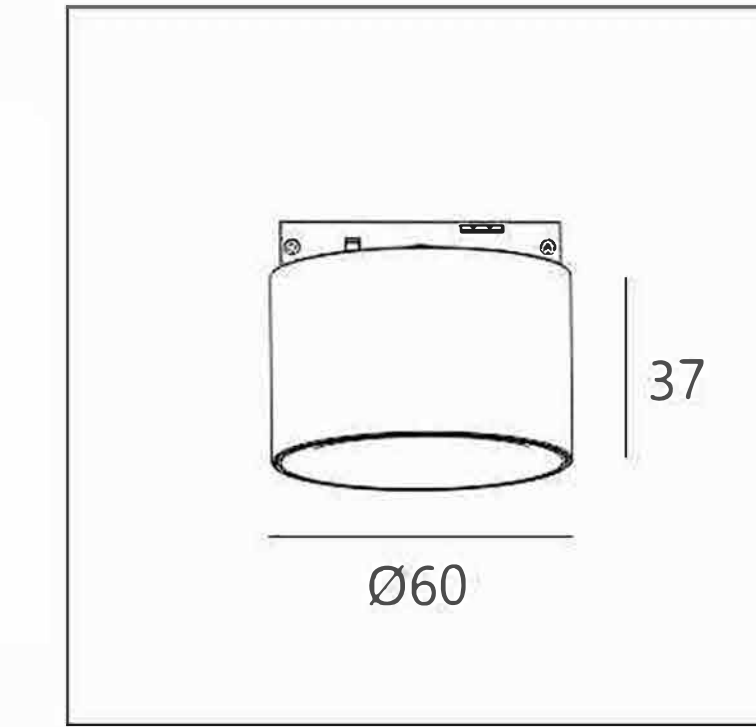
**OPTIC:**  
15°/24°/36°

**Mainsvoltage:**  
DC24V

**Description:**  
Magneticsuction

**Cutout:**  
/

GPS-74-C



**LightSource:**  
COB

**Luminousflux:**  
450lm

**CRI:**  
Ra>90

**CCT:**  
2700K/3000K/4000K/5000K

**Material:**  
Aluminum

**Power:**  
5W

**Outputvoltage:**  
36V

**Outputcurrent:**  
120mA

**OPTIC:**  
15°/24°/36°

**Mainsvoltage:**  
DC24V

**Description:**  
Magneticsuction

**Cutout:**  
/

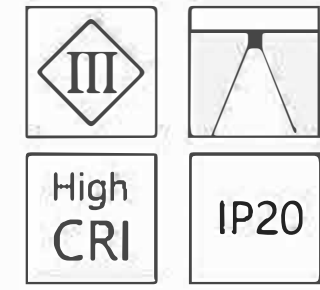
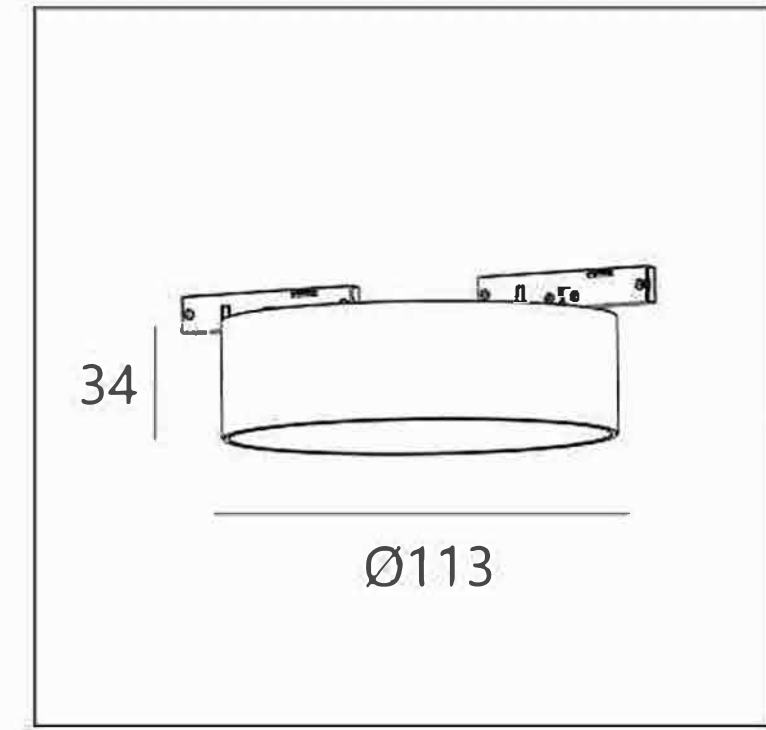
COLORS



BK



GPS-75



LightSource:  
LED

Luminousflux:  
700lm

CRI:  
Ra> 80

CCT:  
2700K/3000K/4000K/5000K

Material:  
Aluminum

Power:  
8W

Outputvoltage:  
36V

Outputcurrent:  
/

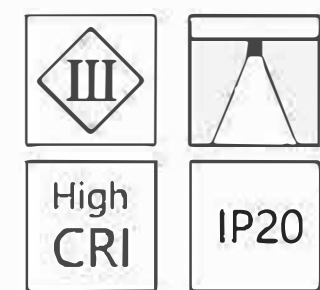
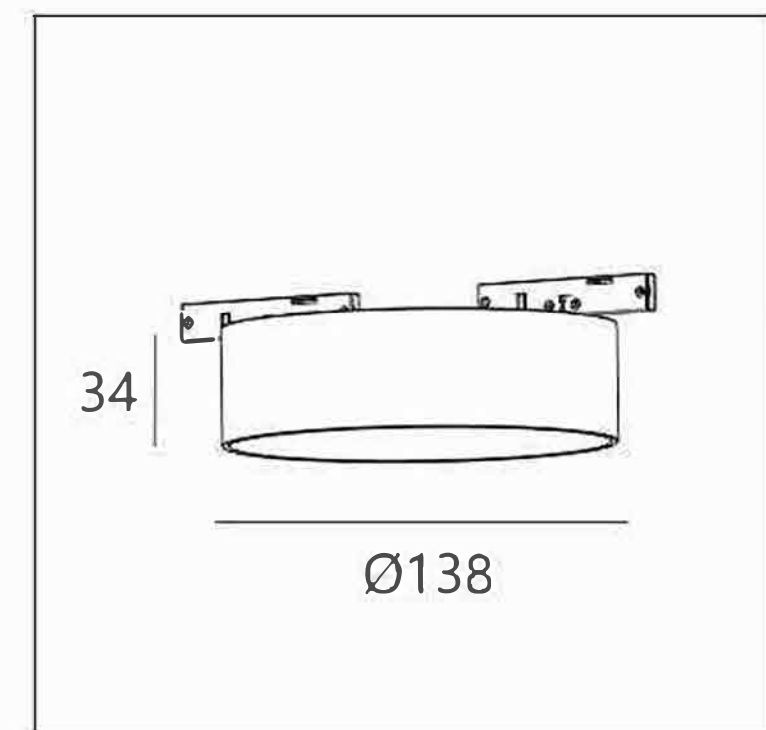
OPTIC:  
100°

Mainsvoltage:  
DC24V

Description:  
Magneticsuction

Cutout:  
/

GPS-76



LightSource:  
LED

Luminousflux:  
1100lm

CRI:  
Ra> 80

CCT:  
2700K/3000K/4000K/5000K

Material:  
Aluminum

Power:  
12W

Outputvoltage:  
36V

Outputcurrent:  
/

OPTIC:  
100°

Mainsvoltage:  
DC24V

Description:  
Magneticsuction

Cutout:  
/

COLORS



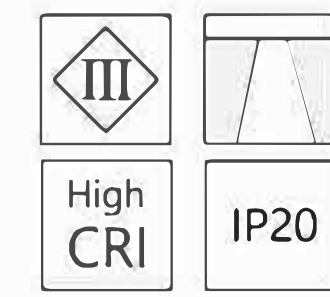
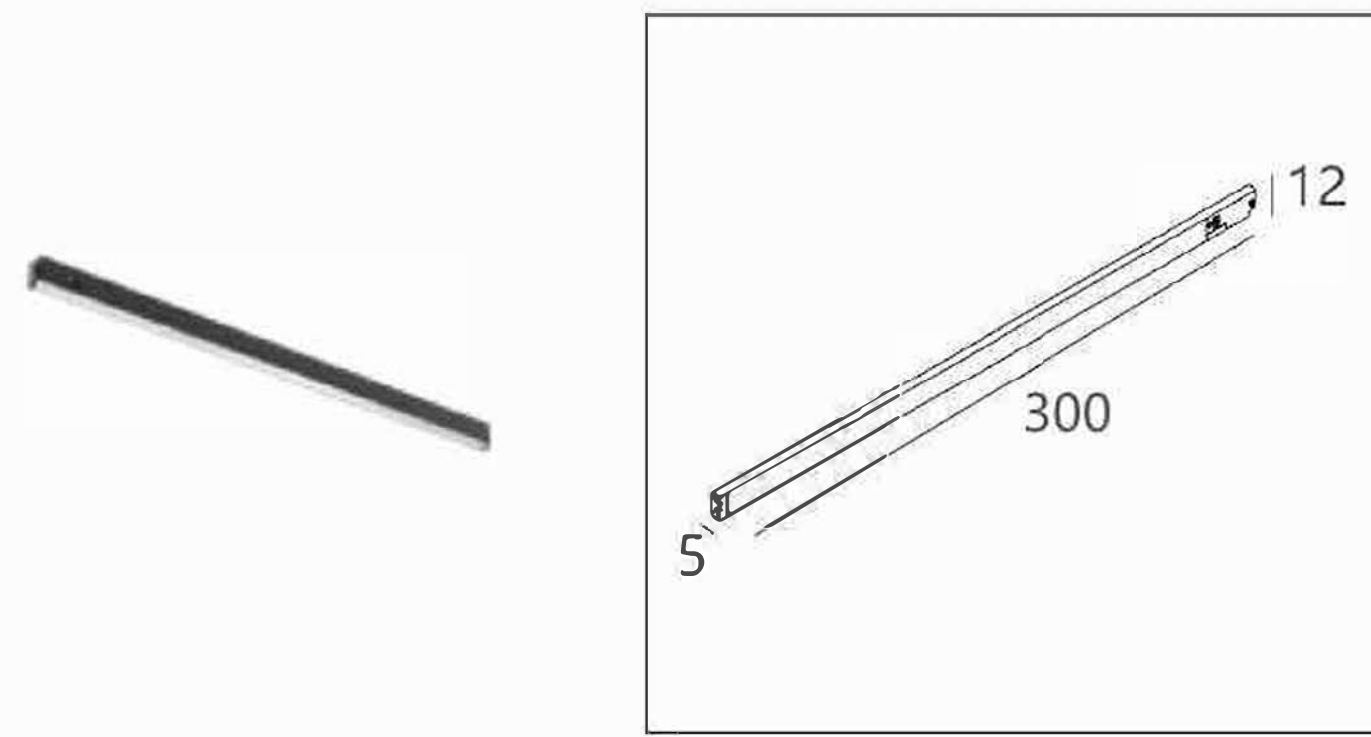
BK



Mini  
magnet track



GPS-77



**LightSource:**  
LED

**Luminousflux:**  
450lm

**CRI:**  
Ra>80

**CCT:**  
2700K/3000K/4000K/5000K

**Material:**  
Aluminum

**Power:**  
5W

**Outputvoltage:**  
36V

**Outputcurrent:**  
/

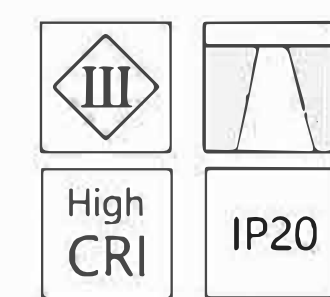
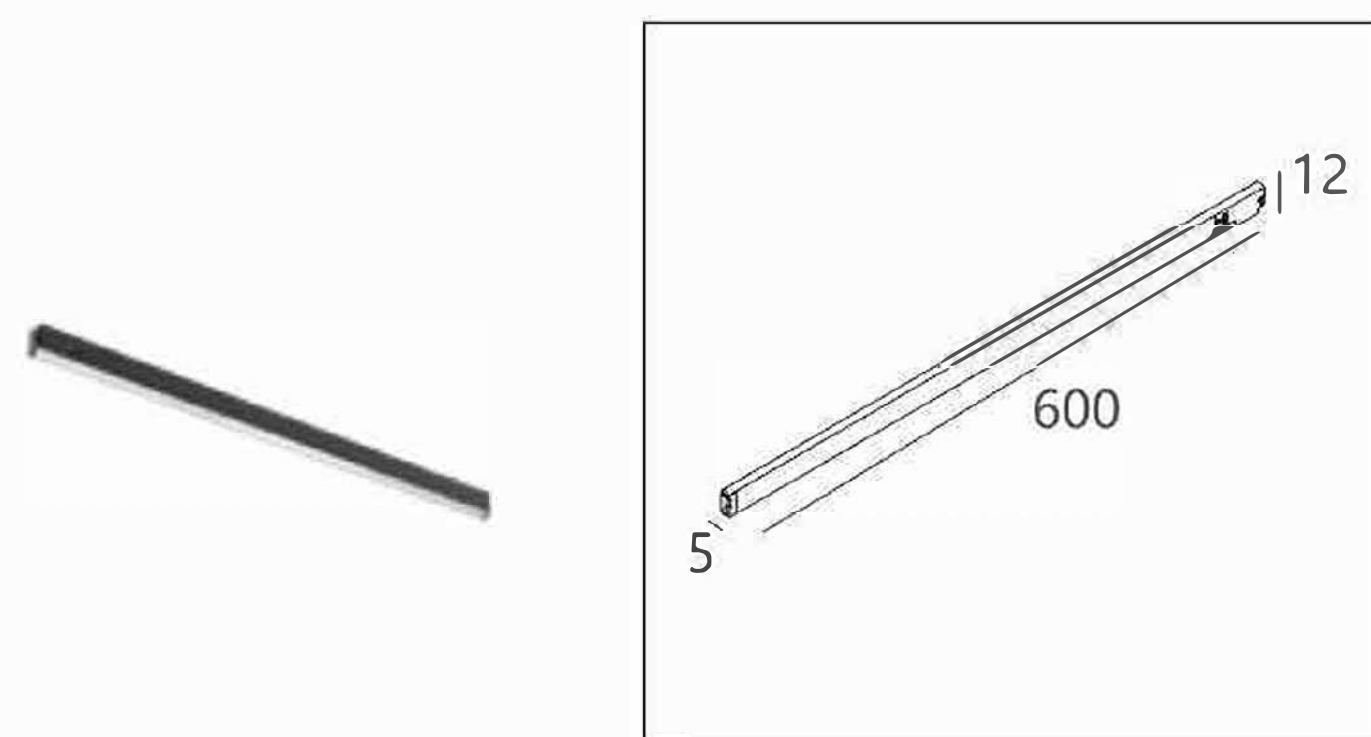
**OPTIC:**  
100°

**Mainsvoltage:**  
DC24V

**Description:**  
Magneticsuction

**Cutout:**  
/

GPS-78



**LightSource:**  
LED

**Luminousflux:**  
900lm

**CRI:**  
Ra>80

**CCT:**  
2700K/3000K/4000K/5000K

**Material:**  
Aluminum

**Power:**  
10W

**Outputvoltage:**  
36V

**Outputcurrent:**  
/

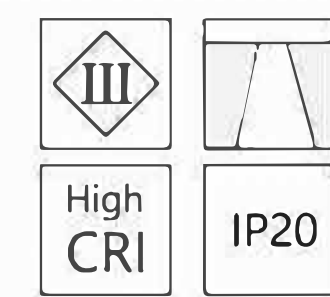
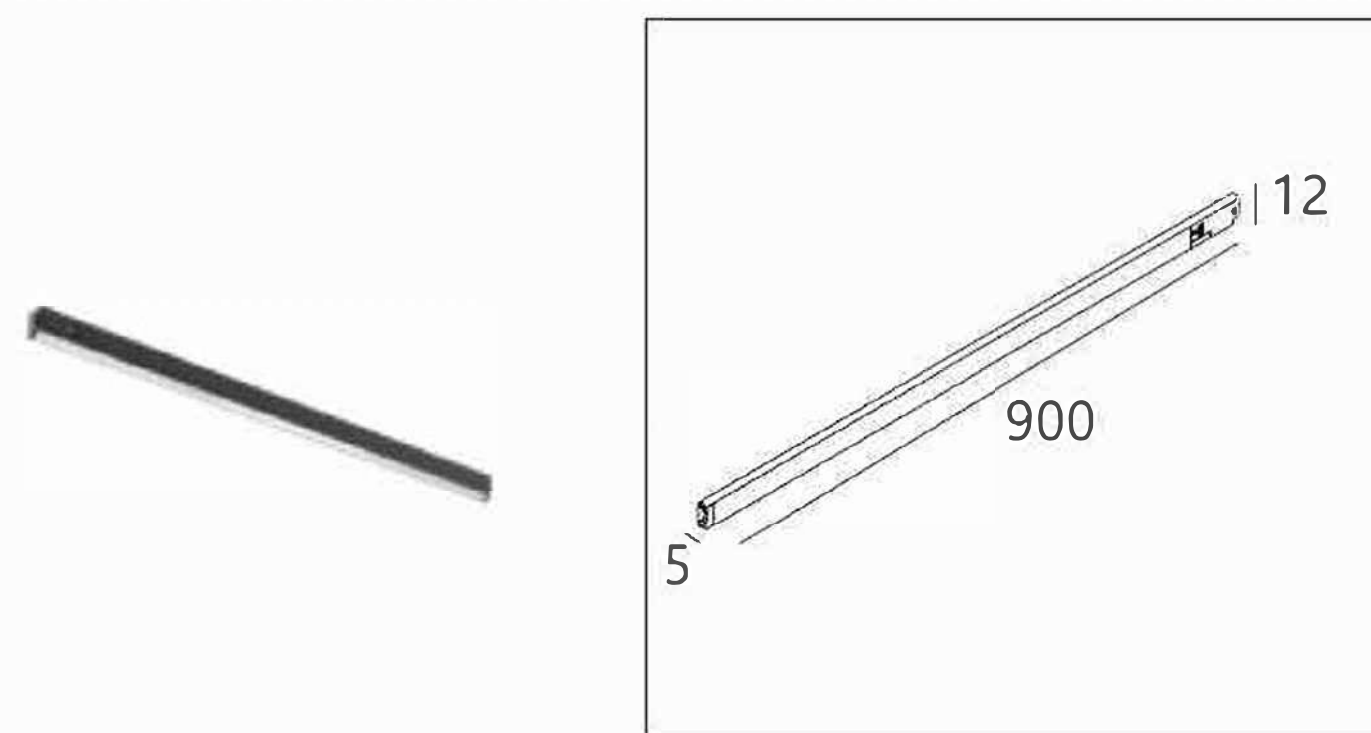
**OPTIC:**  
100°

**Mainsvoltage:**  
DC24V

**Description:**  
Magneticsuction

**Cutout:**  
/

GPS-79



**LightSource:**  
LED

**Luminousflux:**  
1300lm

**CRI:**  
Ra>80

**CCT:**  
2700K/3000K/4000K/5000K

**Material:**  
Aluminum

**Power:**  
15W

**Outputvoltage:**  
36V

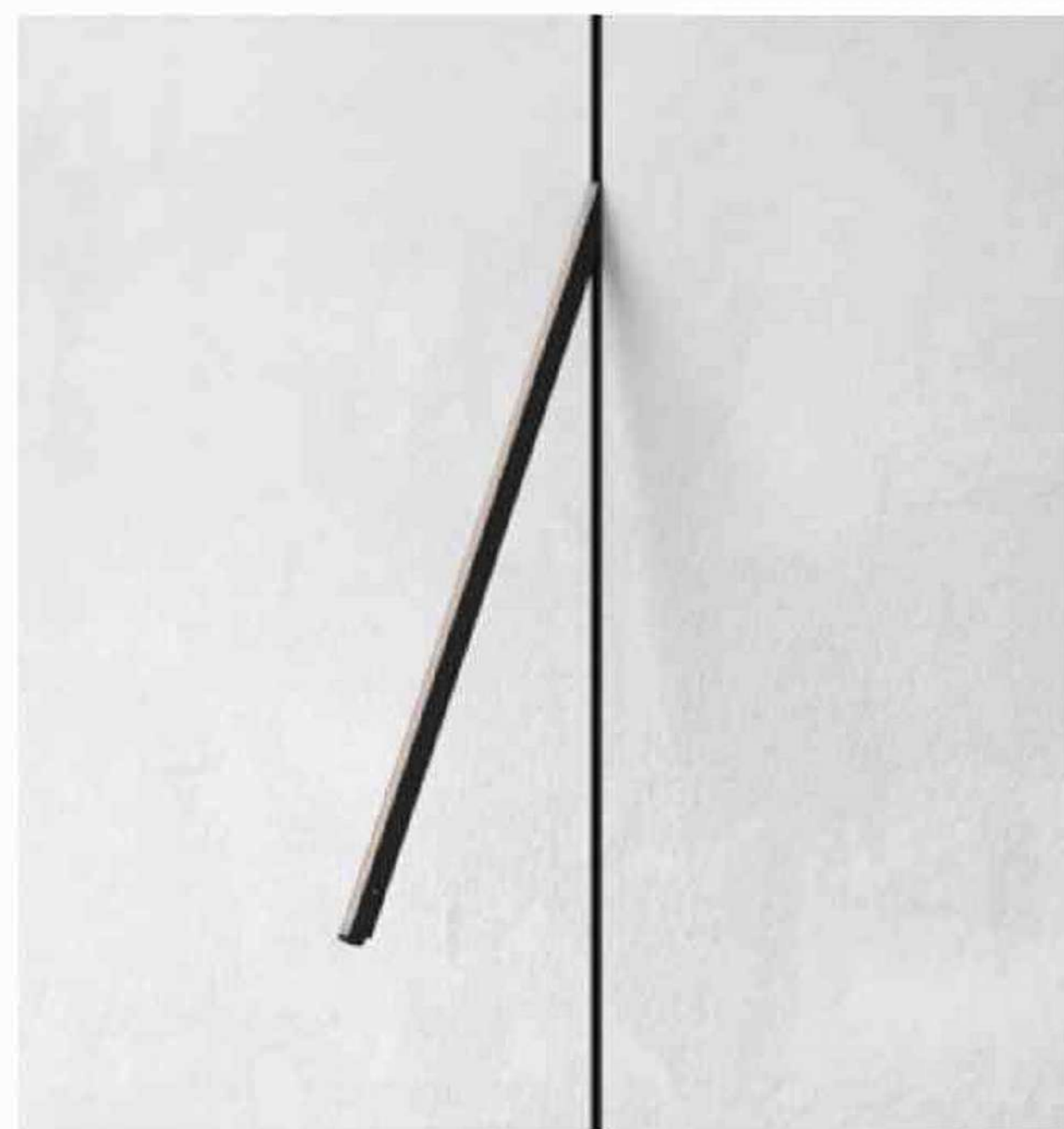
**Outputcurrent:**  
/

**OPTIC:**  
100°

**Mainsvoltage:**  
DC24V

**Description:**  
Magneticsuction

**Cutout:**  
/

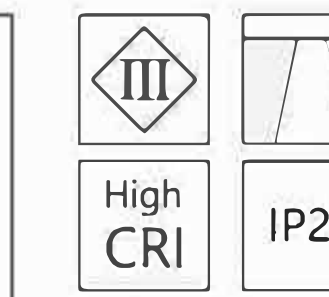
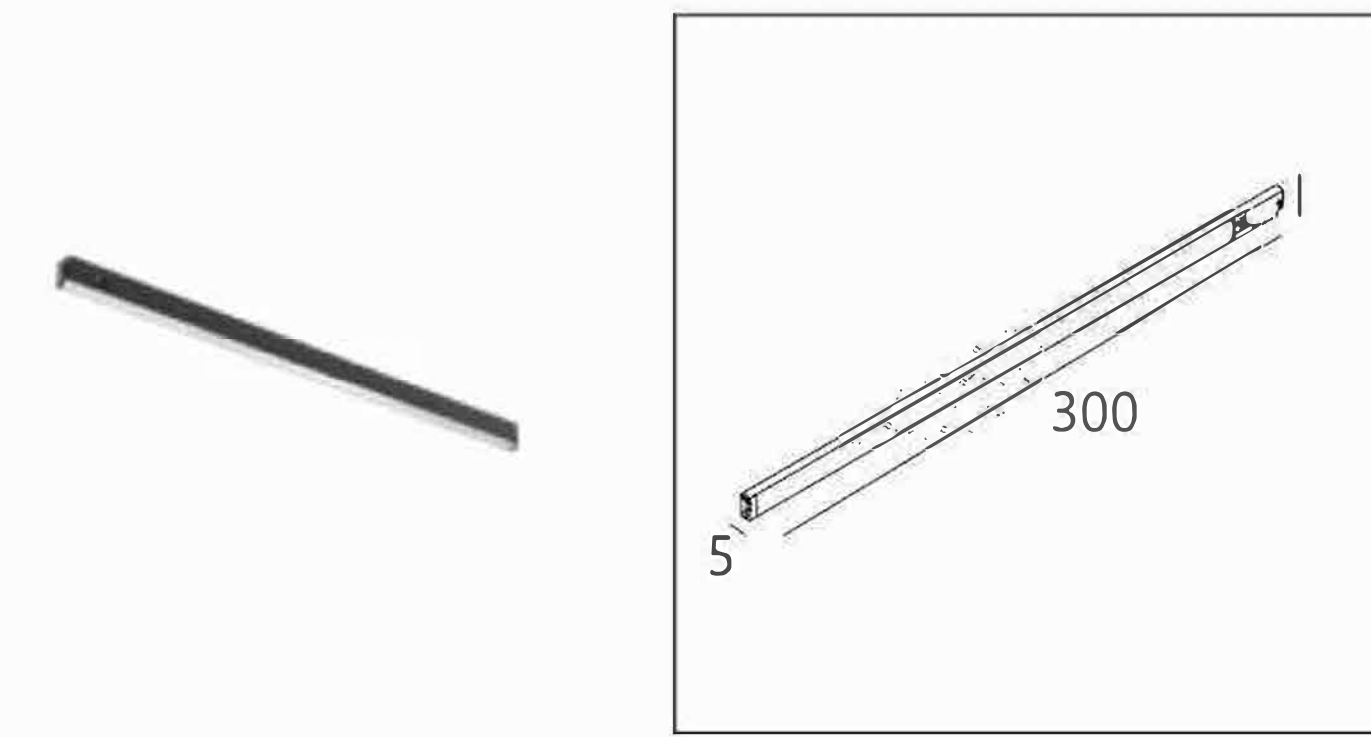


COLORS



BK

GPS-80



**LightSource:**  
LED

**Luminousflux:**  
450lm

**CRI:**  
Ra>80

**CCT:**  
2700K/3000K/4000K/5000K

**Material:**  
Aluminum

**Power:**  
5W

**Outputvoltage:**  
36V

**Outputcurrent:**  
/

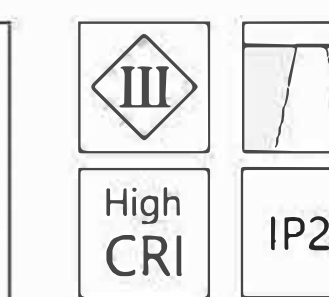
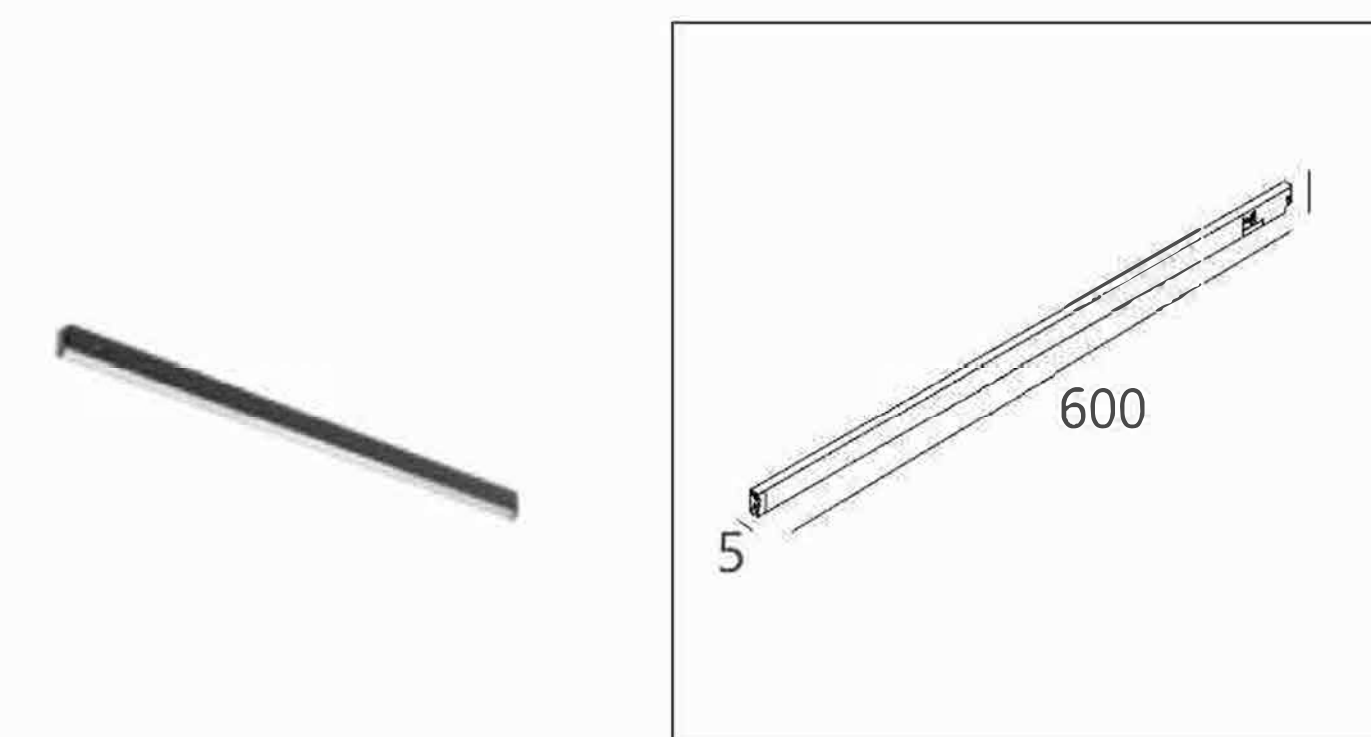
**OPTIC:**  
100°

**Mainsvoltage:**  
DC48V

**Description:**  
Magneticsuction

**Cutout:**  
/

GPS-81



**LightSource:**  
LED

**Luminousflux:**  
900lm

**CRI:**  
Ra>80

**CCT:**  
2700K/3000K/4000K/5000K

**Material:**  
Aluminum

**Power:**  
10W

**Outputvoltage:**  
36V

**Outputcurrent:**  
/

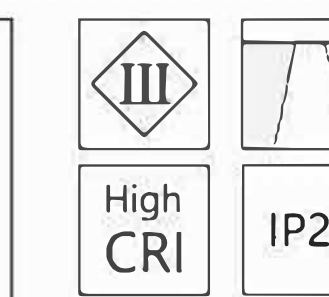
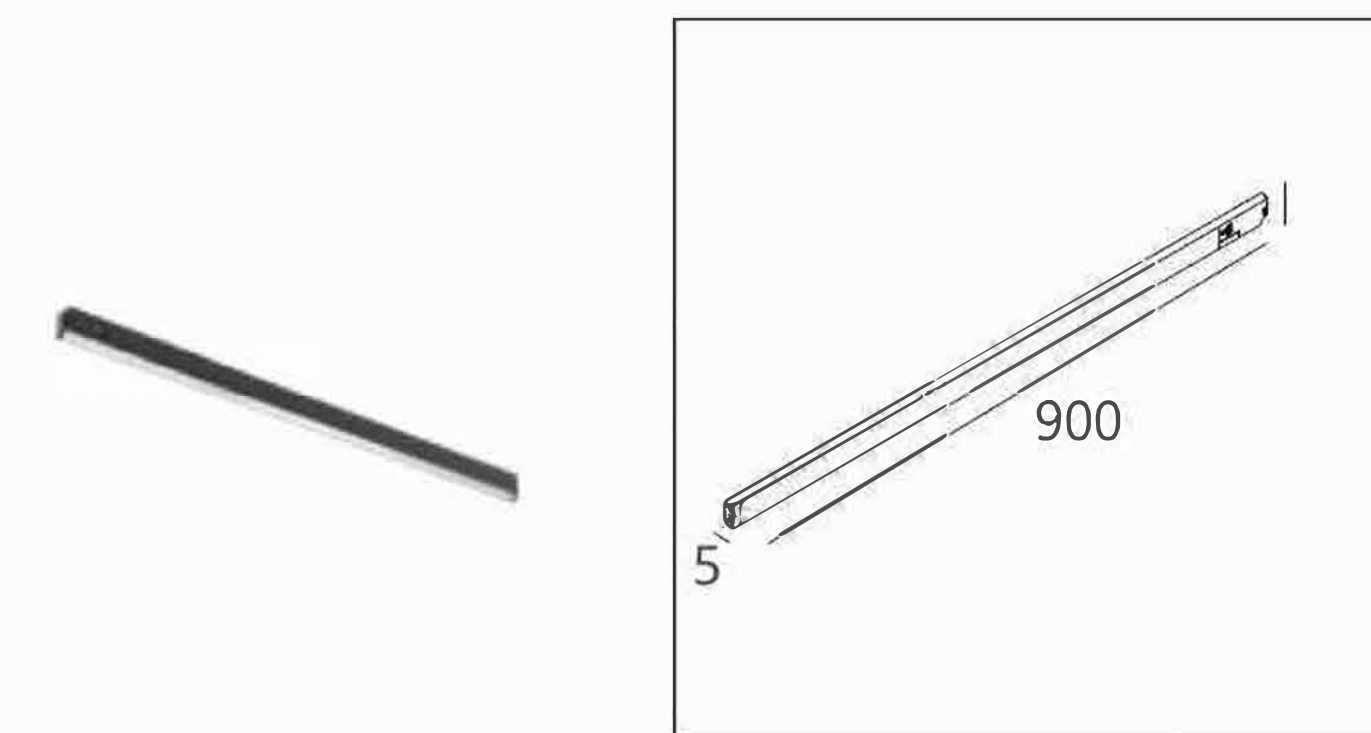
**OPTIC:**  
100°

**Mainsvoltage:**  
DC48V

**Description:**  
Magneticsuction

**Cutout:**  
/

GPS-82



**LightSource:**  
LED

**Luminousflux:**  
1300lm

**CRI:**  
Ra>80

**CCT:**  
2700K/3000K/4000K/5000K

**Material:**  
Aluminum

**Power:**  
15W

**Outputvoltage:**  
36V

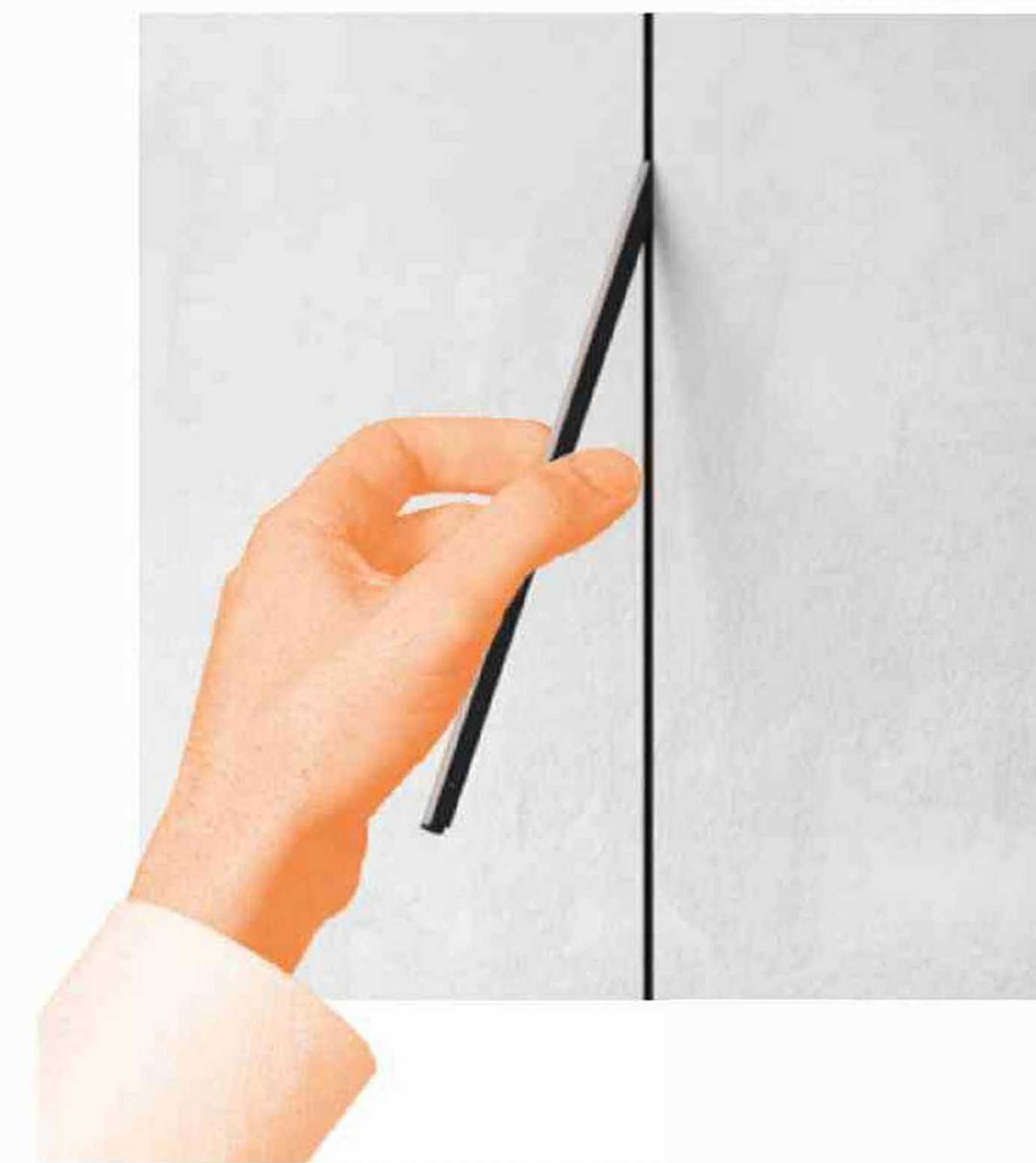
**Outputcurrent:**  
/

**OPTIC:**  
100°

**Mainsvoltage:**  
DC48V

**Description:**  
Magneticsuction

**Cutout:**  
/



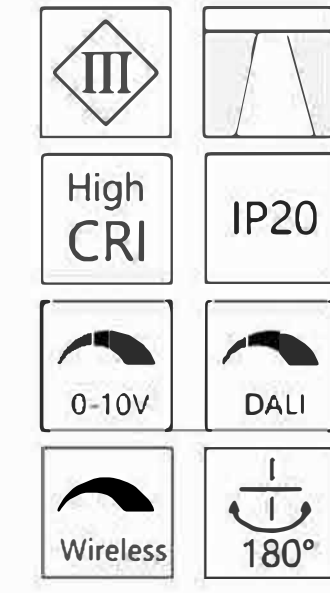
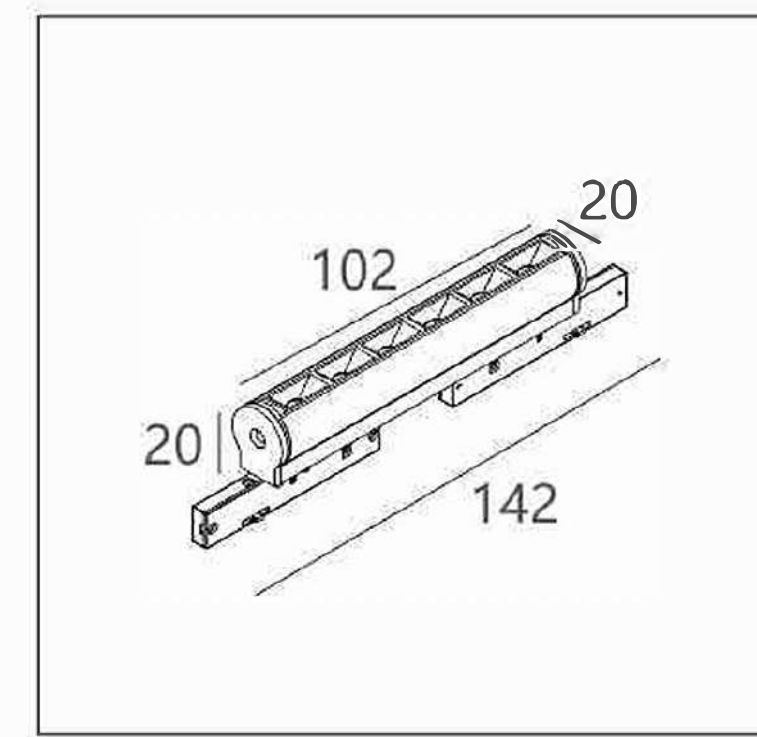
COLORS



BK



GPS-83



**LightSource:**  
LED

**Luminousflux:**  
450lm

**CRI:**  
Ra > 90

**CCT:**  
2700K/3000K/4000K/5000K

**Material:**  
Aluminum

**Power:**  
5W

**Outputvoltage:**  
36V

**Outputcurrent:**  
/

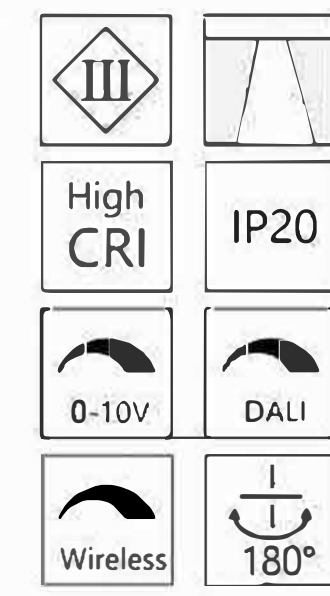
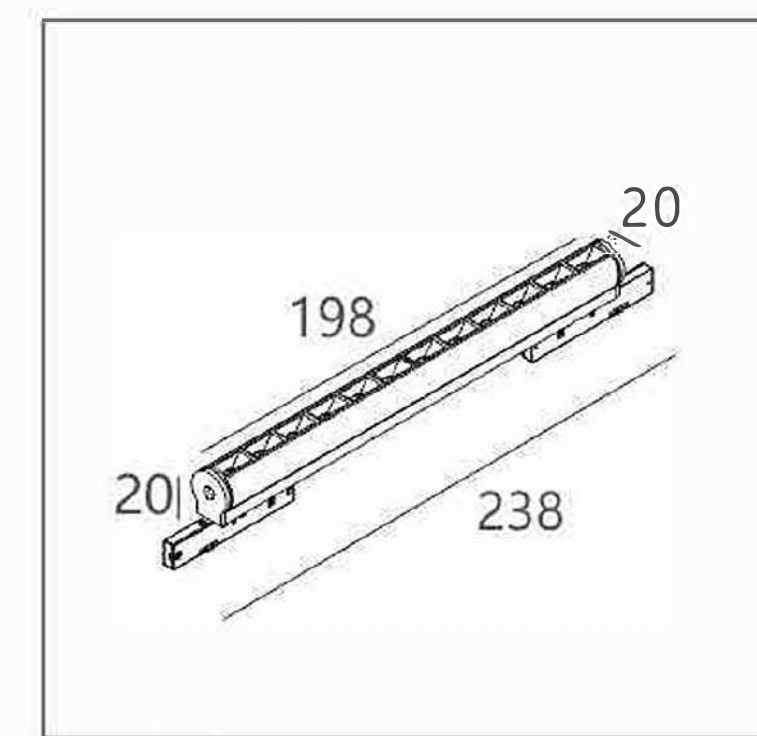
**OPTIC:**  
15°/24°/36°

**Mainsvoltage:**  
DC48V

**Description:**  
Magneticsuction

**Cutout:**  
/

GPS-84



**LightSource:**  
LED

**Luminousflux:**  
900lm

**CRI:**  
Ra > 90

**CCT:**  
2700K/3000K/4000K/5000K

**Material:**  
Aluminum

**Power:**  
10W

**Outputvoltage:**  
36V

**Outputcurrent:**  
/

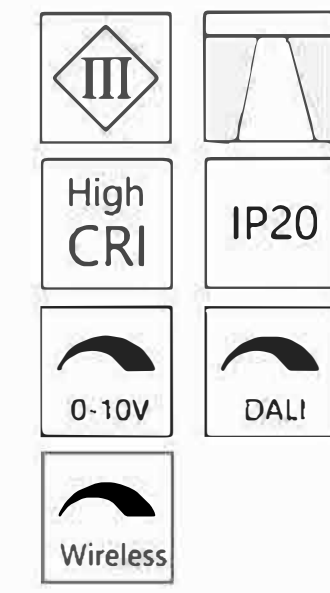
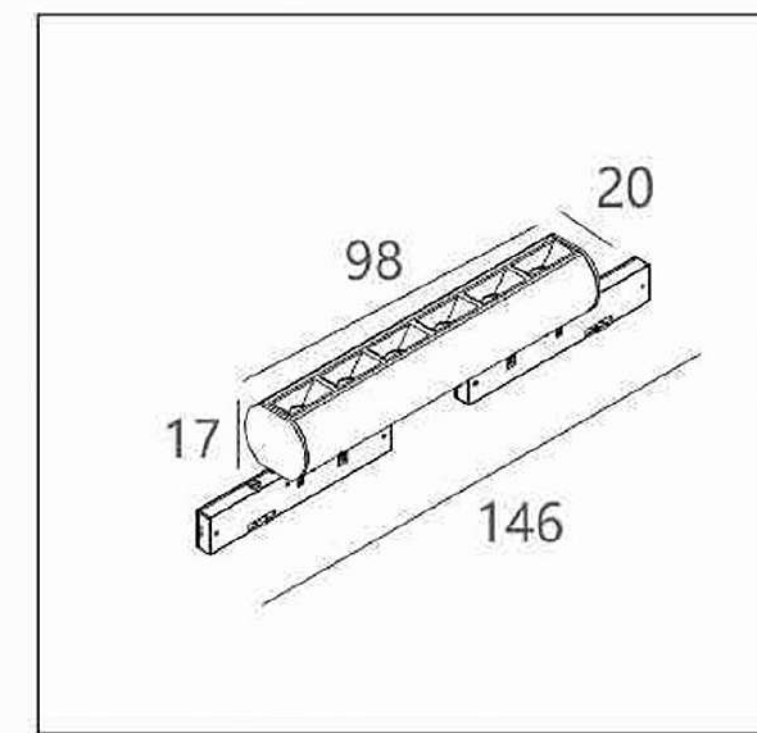
**OPTIC:**  
15°/24°/36°

**Mainsvoltage:**  
DC48V

**Description:**  
Magneticsuction

**Cutout:**  
/

GPS-85



**LightSource:**  
LED

**Luminousflux:**  
450lm

**CRI:**  
Ra > 90

**CCT:**  
2700K/3000K/4000K/5000K

**Material:**  
Aluminum

**Power:**  
5W

**Outputvoltage:**  
36V

**Outputcurrent:**  
/

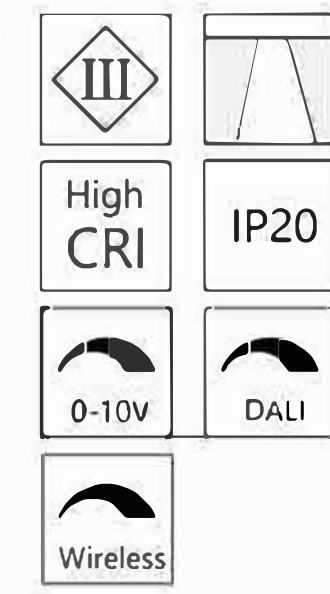
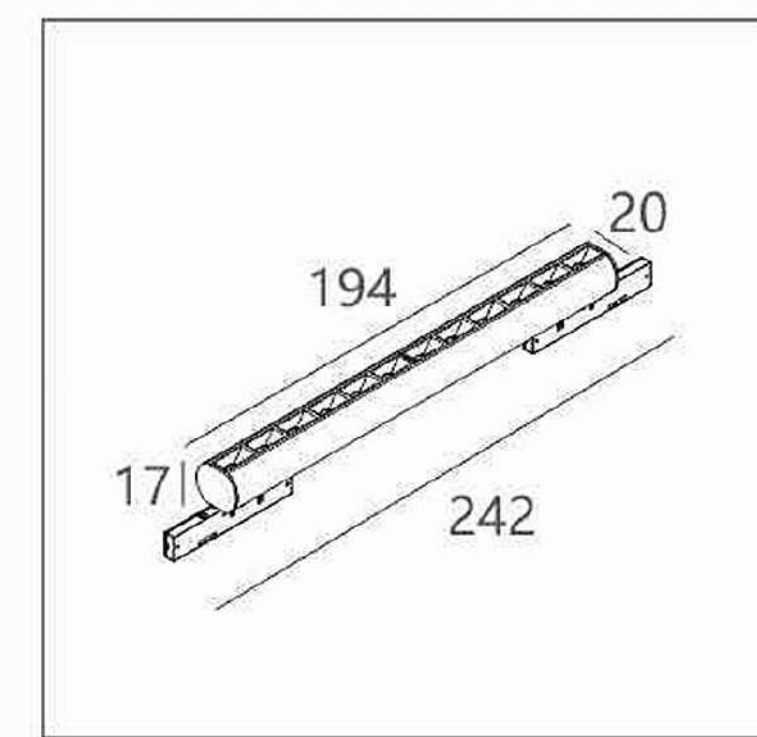
**OPTIC:**  
15°/24°/36°

**Mainsvoltage:**  
DC48V

**Description:**  
Magneticsuction

**Cutout:**  
/

GPS-86



**LightSource:**  
LED

**Luminousflux:**  
900lm

**CRI:**  
Ra > 90

**CCT:**  
2700K/3000K/4000K/5000K

**Material:**  
Aluminum

**Power:**  
10W

**Outputvoltage:**  
36V

**Outputcurrent:**  
/

**OPTIC:**  
15°/24°/36°

**Mainsvoltage:**  
DC48V

**Description:**  
Magneticsuction

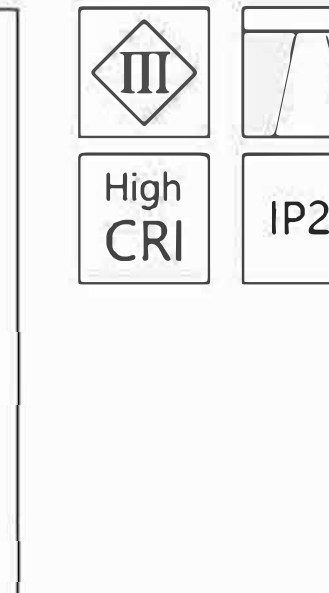
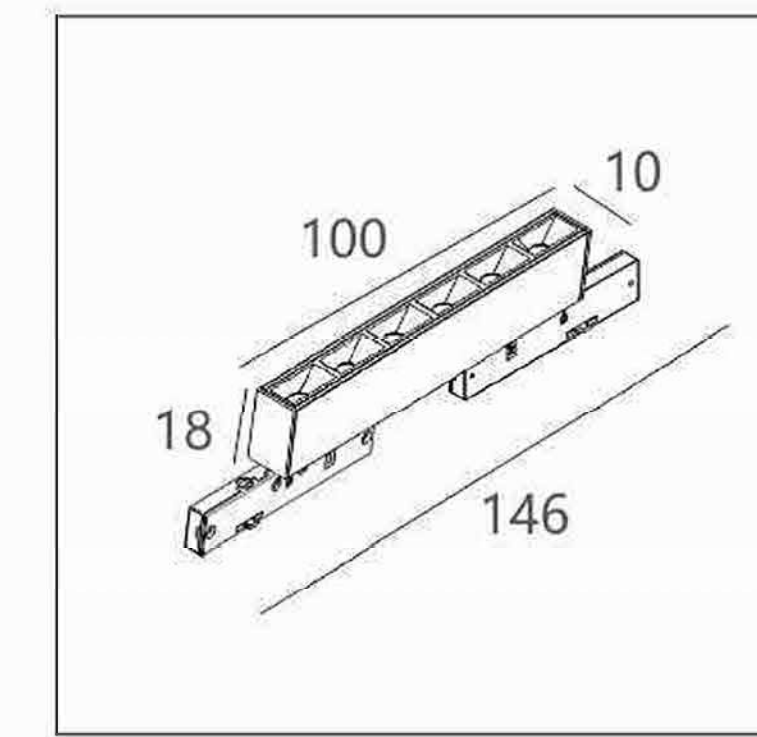
**Cutout:**  
/

COLORS



BK

GPS-87



**LightSource:**  
LED

**Luminousflux:**  
500lm

**CRI:**  
Ra > 90

**CCT:**  
2700K/3000K/4000K/5000K

**Material:**  
Aluminum

**Power:**  
6W

**Outputvoltage:**  
36V

**Outputcurrent:**  
/

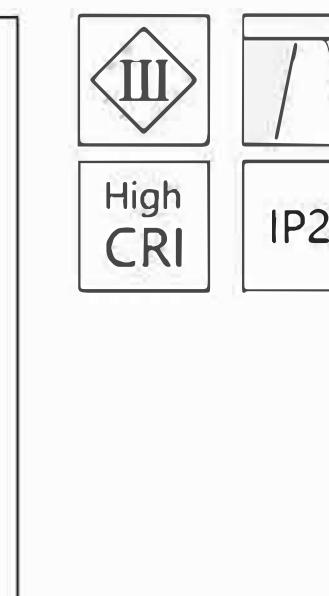
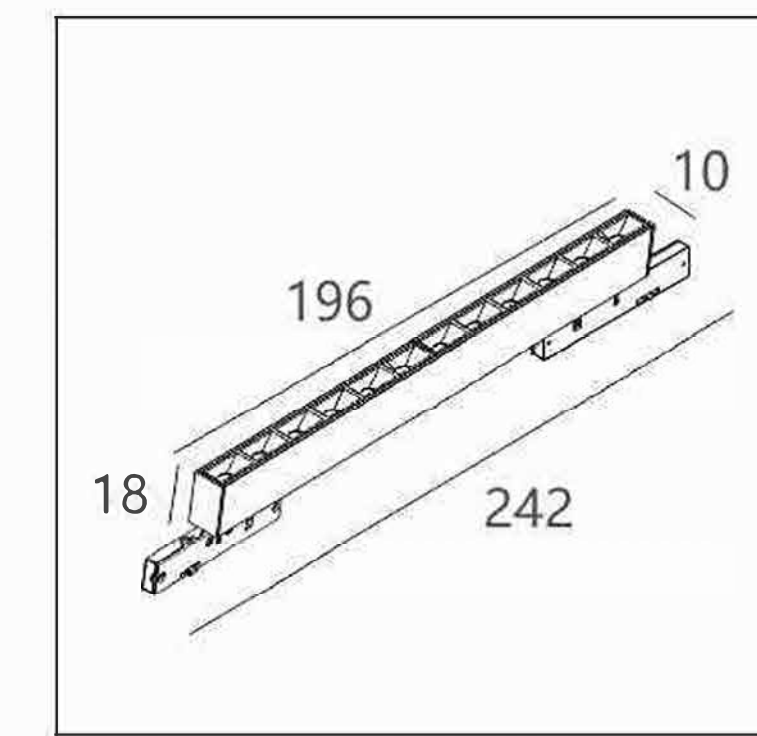
**OPTIC:**  
15°/24°/36°

**Mainsvoltage:**  
DC24V

**Description:**  
Magneticsuction

**Cutout:**  
/

GPS-88



**LightSource:**  
LED

**Luminousflux:**  
1100lm

**CRI:**  
Ra > 90

**CCT:**  
2700K/3000K/4000K/5000K

**Material:**  
Aluminum

**Power:**  
12W

**Outputvoltage:**  
36V

**Outputcurrent:**  
/

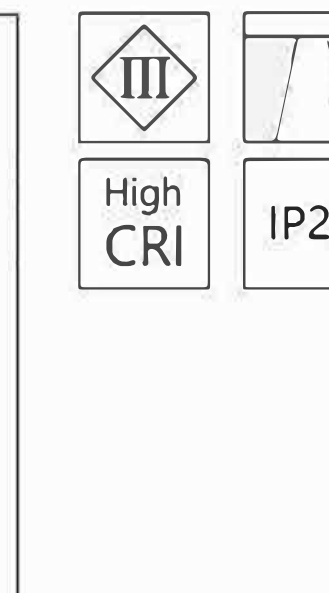
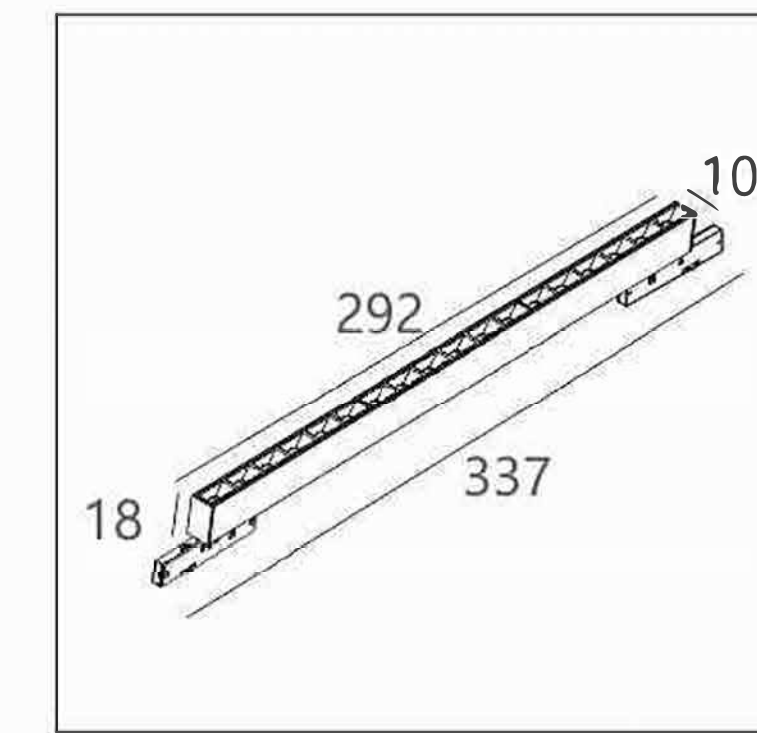
**OPTIC:**  
15°/24°/36°

**Mainsvoltage:**  
DC24V

**Description:**  
Magneticsuction

**Cutout:**  
/

GPS-89



**LightSource:**  
LED

**Luminousflux:**  
1600lm

**CRI:**  
Ra > 90

**CCT:**  
2700K/3000K/4000K/5000K

**Material:**  
Aluminum

**Power:**  
18W

**Outputvoltage:**  
36V

**Outputcurrent:**  
/

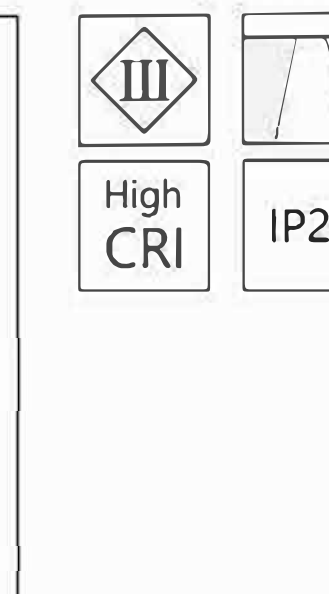
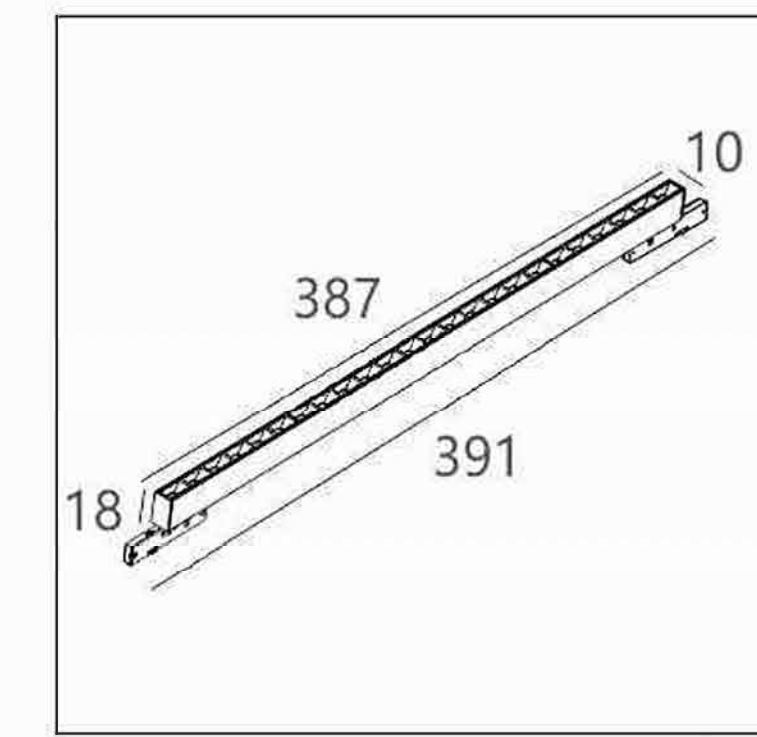
**OPTIC:**  
15°/24°/36°

**Mainsvoltage:**  
DC24V

**Description:**  
Magneticsuction

**Cutout:**  
/

GPS-90



**LightSource:**  
LED

**Luminousflux:**  
2300lm

**CRI:**  
Ra > 90

**CCT:**  
2700K/3000K/4000K/5000K

**Material:**  
Aluminum

**Power:**  
24W

**Outputvoltage:**  
36V

**Outputcurrent:**  
/

**OPTIC:**  
15°/24°/36°

**Mainsvoltage:**  
DC24V

**Description:**  
Magneticsuction

**Cutout:**  
/


COLORS

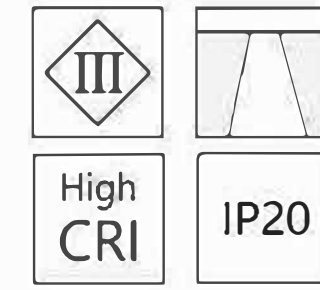
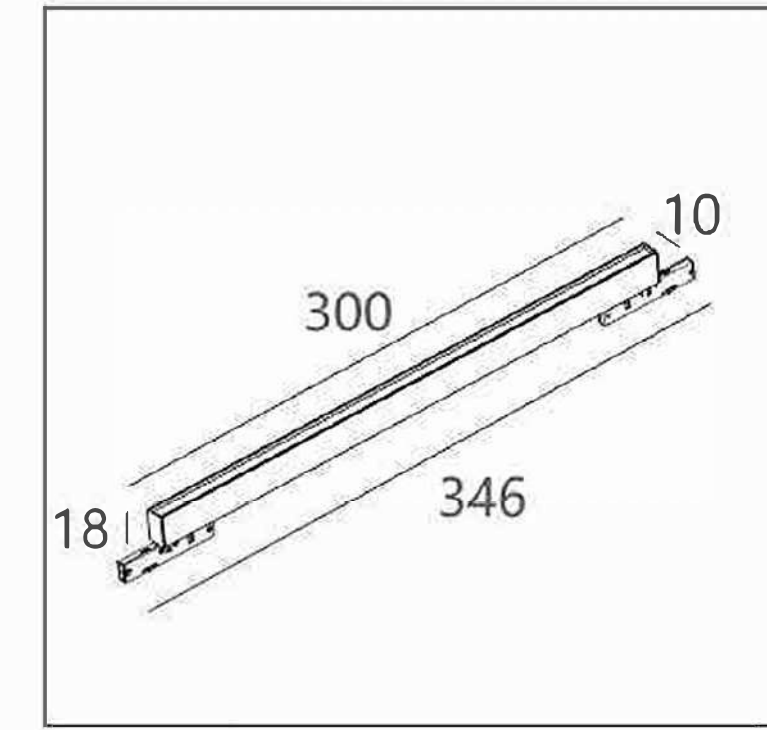


BK



COLOUR TEMPERATURES

GPS-91 



LightSource:  
LED

Luminousflux:  
700lm

CRI:  
Ra > 80

CCT:  
2700K/3000K/4000K/5000K

Material:  
Aluminum

Power:  
8W

Outputvoltage:  
36V

Outputcurrent:  
/

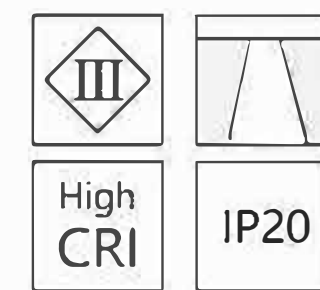
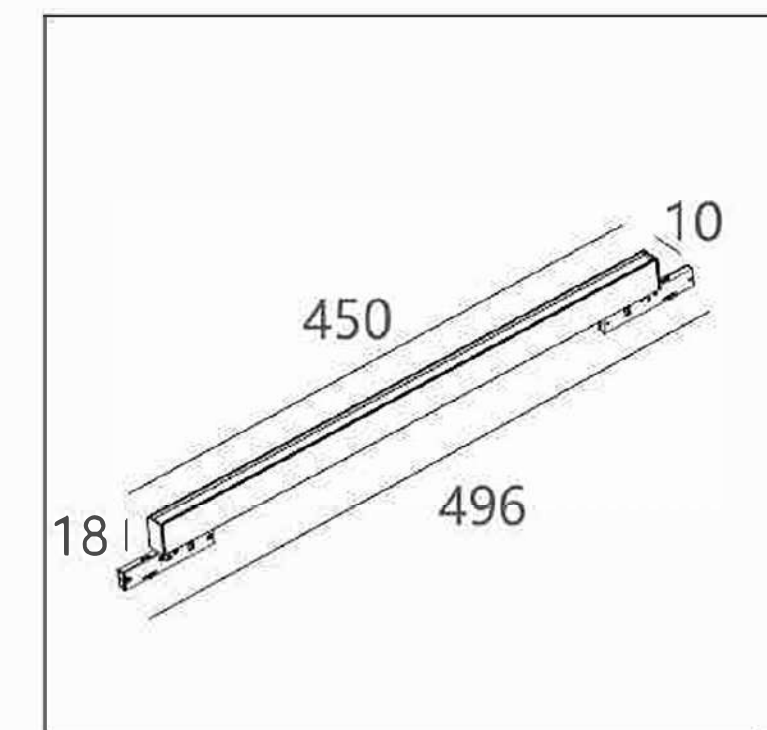
OPTIC:  
100°

Mainsvoltage:  
DC24V

Description:  
Magneticsuction

Cutout:  
/

GPS-92 



LightSource:  
LED

Luminousflux:  
1100lm

CRI:  
Ra > 80

CCT:  
2700K/3000K/4000K/5000K

Material:  
Aluminum

Power:  
12W

Outputvoltage:  
36V


Outputcurrent:  
/

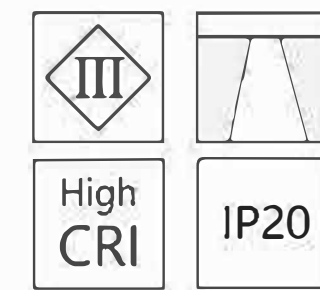
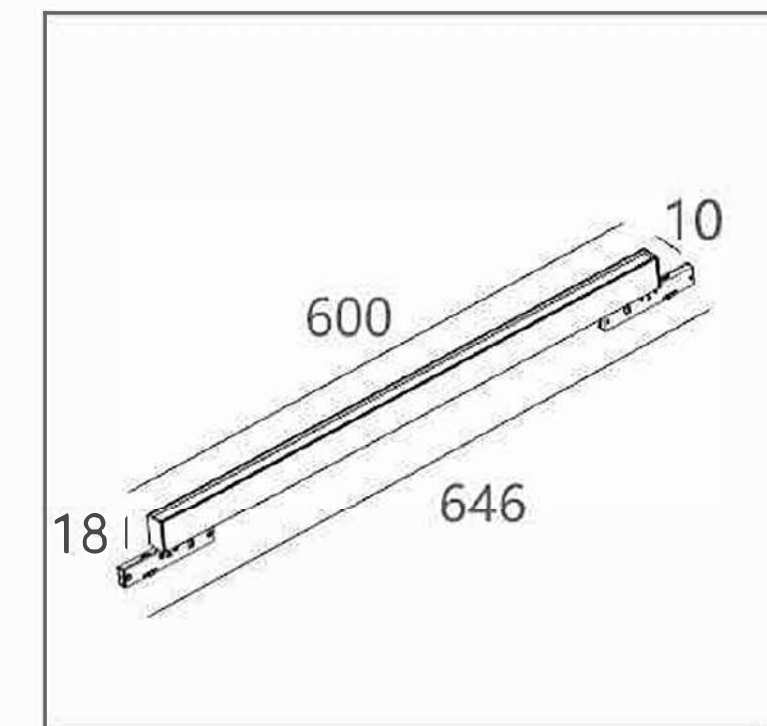
OPTIC:  
100°

Mainsvoltage:  
DC24V

Description:  
Magneticsuction

Cutout:  
/

GPS-93 



LightSource:  
LED

Luminousflux:  
1300lm

CRI:  
Ra > 80

CCT:  
2700K/3000K/4000K/5000K

Material:  
Aluminum

Power:  
16W

Outputvoltage:  
36V


Outputcurrent:  
/

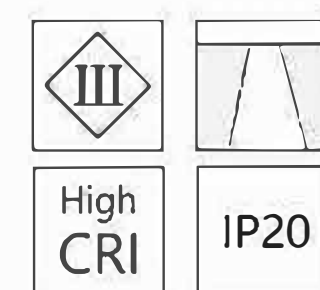
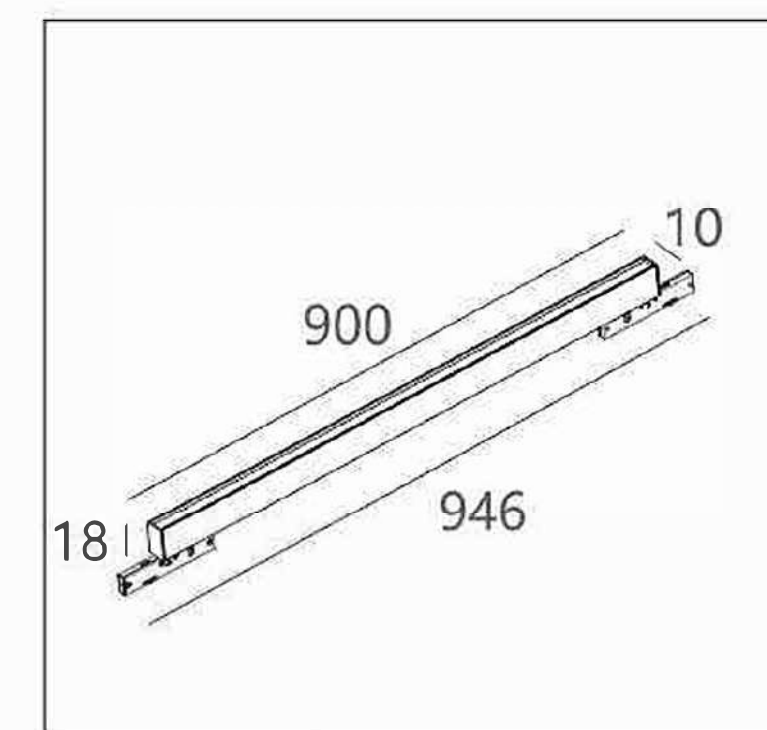
OPTIC:  
100°

Mainsvoltage:  
DC24V

Description:  
Magneticsuction

Cutout:  
/

GPS-94 



LightSource:  
LED

Luminousflux:  
2300lm

CRI:  
Ra > 80

CCT:  
2700K/3000K/4000K/5000K

Material:  
Aluminum

Power:  
24W

Outputvoltage:  
36V

Outputcurrent:  
/

OPTIC:  
100°

Mainsvoltage:  
DC24V

Description:  
Magneticsuction

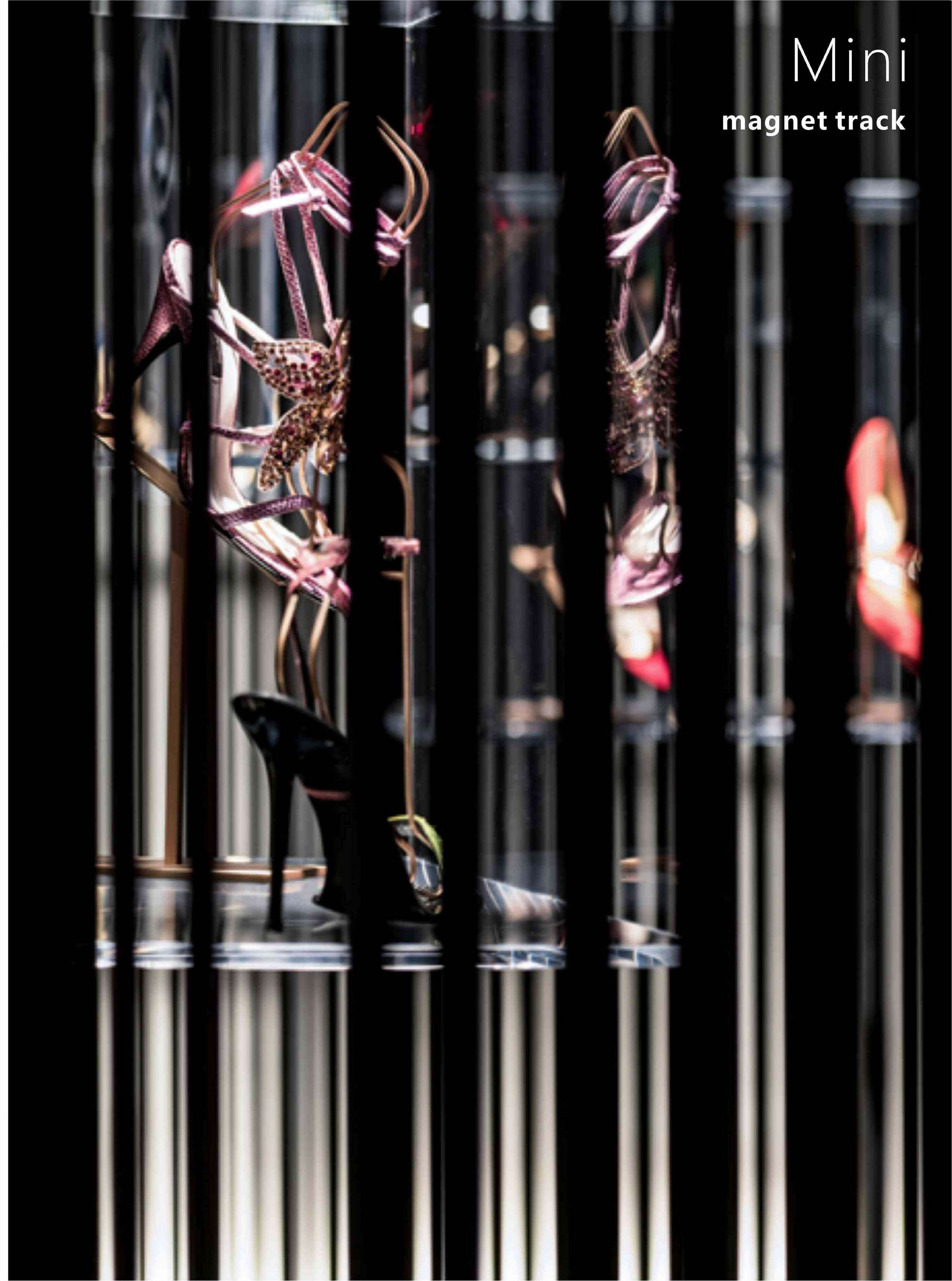
Cutout:  
/

COLORS



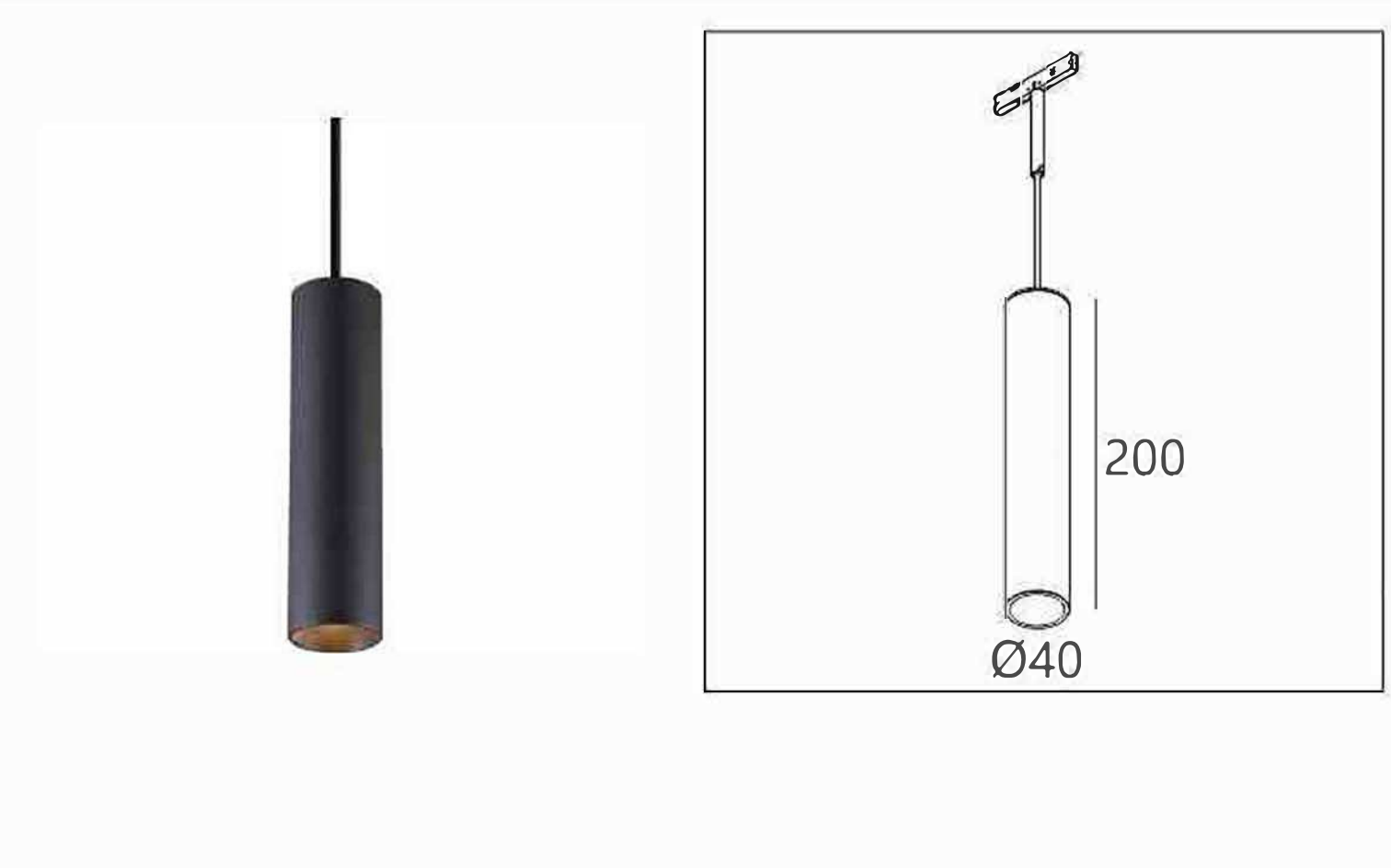
BK



# Mini magnet track



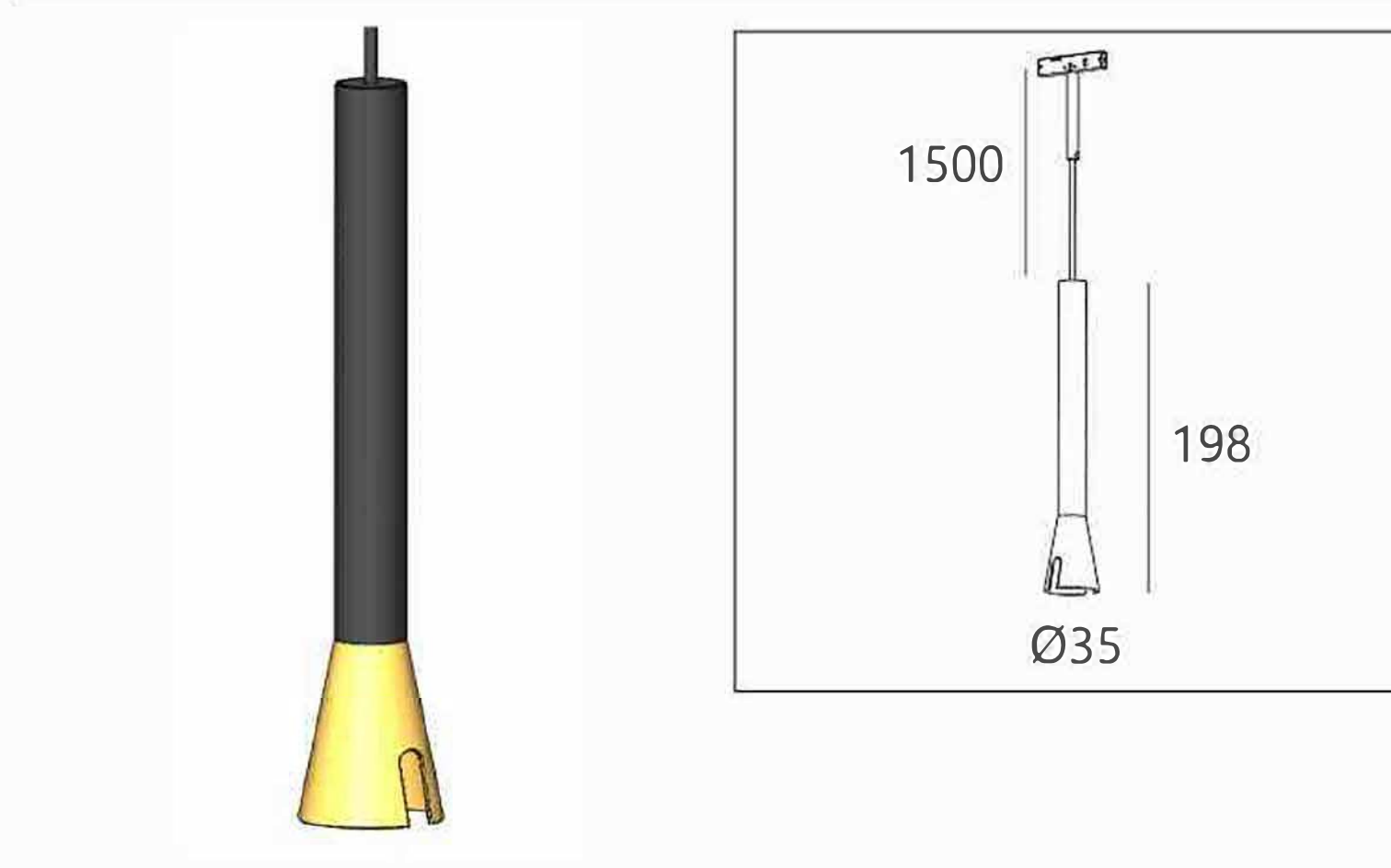




GPS-95



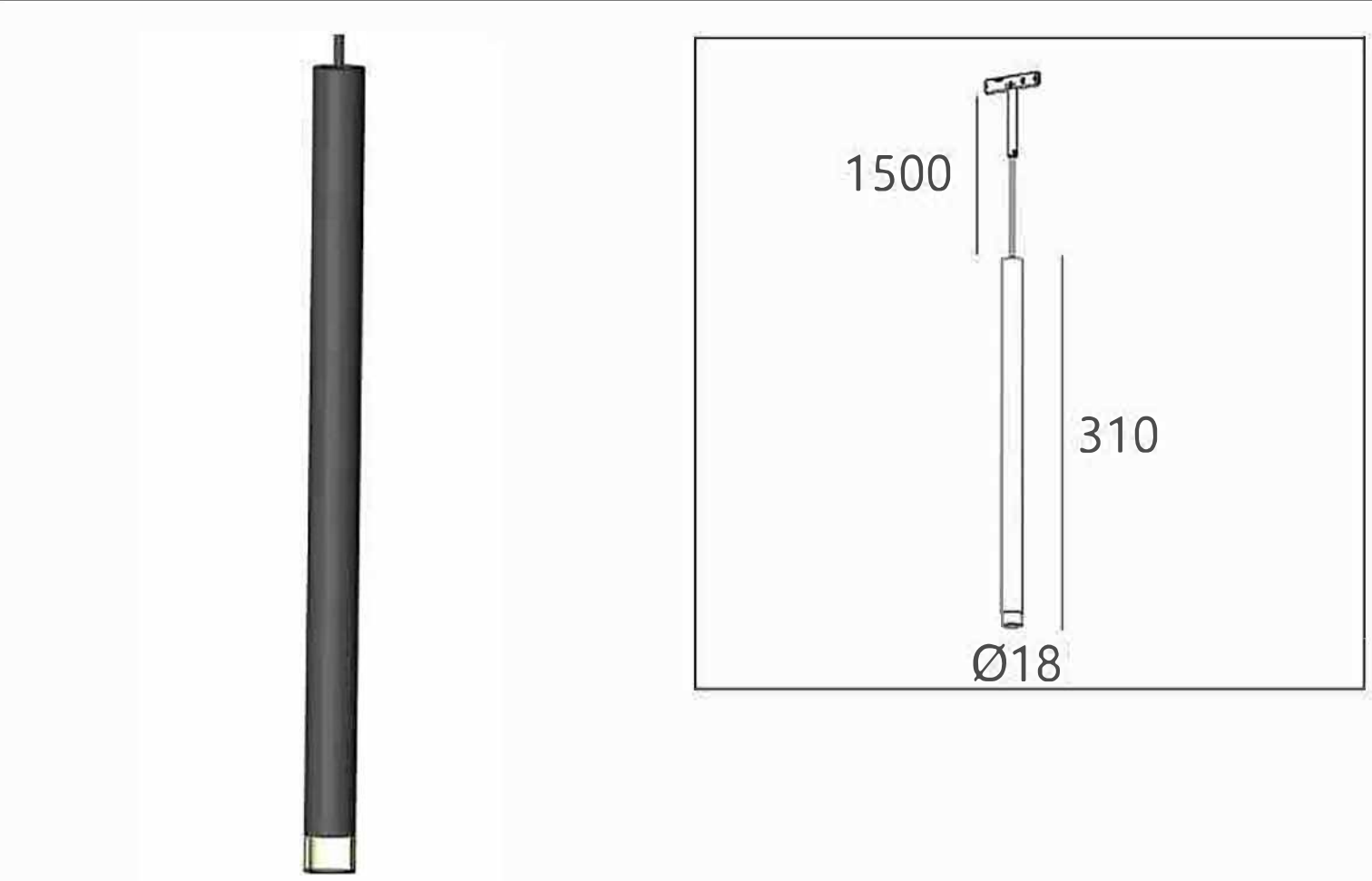
 High CRI	 IP20	<b>LightSource:</b> COB	<b>Material:</b> Aluminum	<b>OPTIC:</b> 15°/24°/36°
		<b>Luminousflux:</b> 500lm	<b>Power:</b> 7W	<b>Mainsvoltage:</b> DC24V
		<b>CRI:</b> Ra>90	<b>Outputvoltage:</b> 36V	<b>Description:</b> Magneticsuction
		<b>CCT:</b> 2700K/3000K/4000K/5000K	<b>Outputcurrent:</b> 150mA	<b>Cutout:</b> /



GPS-96-D




 High CRI	 IP20	<b>LightSource:</b> LED	<b>Material:</b> Aluminum	<b>OPTIC:</b> 15°/24°/36°
		<b>Luminousflux:</b> 180lm	<b>Power:</b> 3W	<b>Mainsvoltage:</b> DC24V
		<b>CRI:</b> Ra>90	<b>Outputvoltage:</b> 3V	<b>Description:</b> Magneticsuction
		<b>CCT:</b> 2700K/3000K/4000K/5000K	<b>Outputcurrent:</b> 700mA	<b>Cutout:</b> /



GPS-96-A



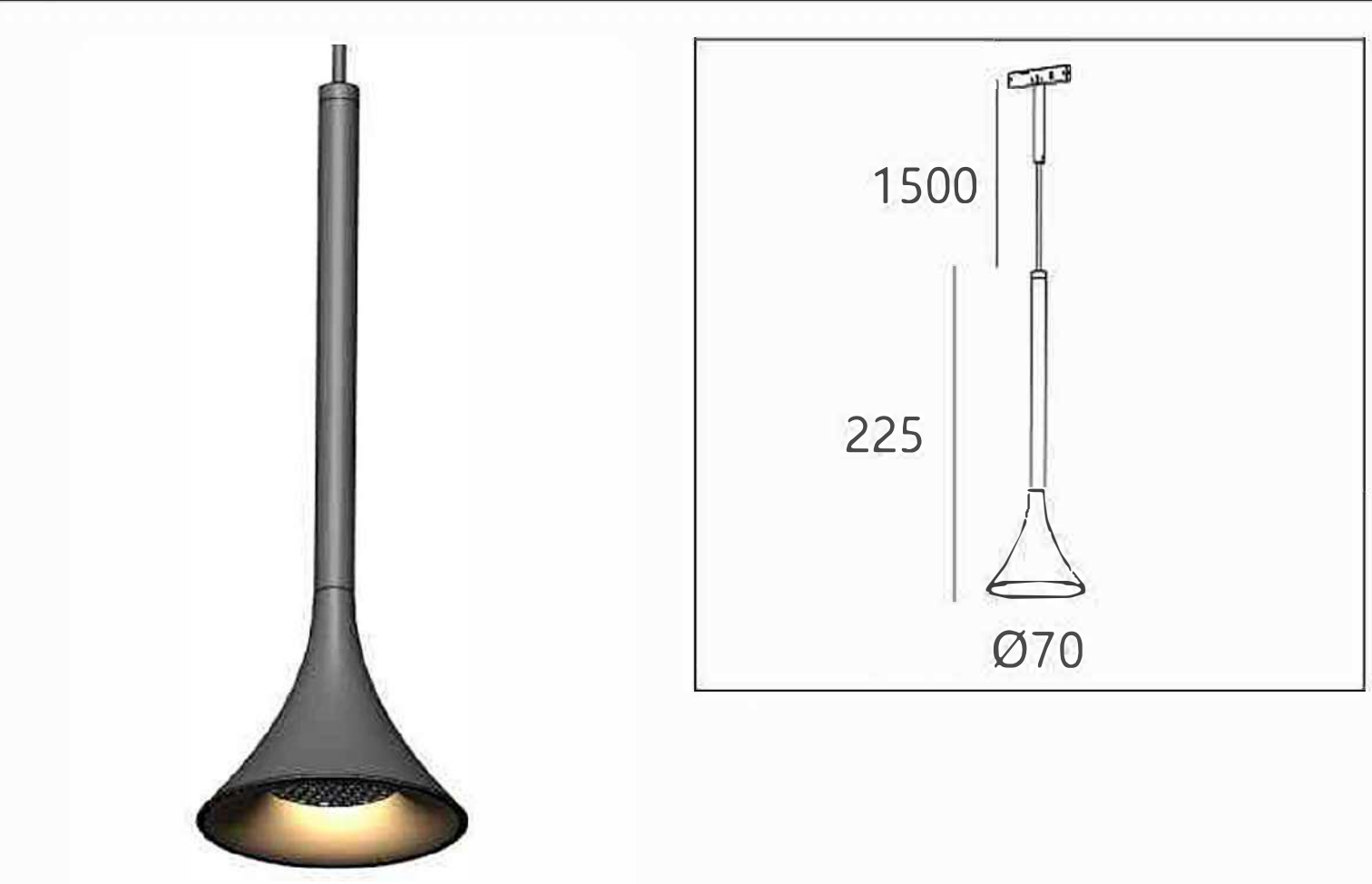
 High CRI	 IP20	<b>LightSource:</b> LED	<b>Material:</b> Aluminum	<b>OPTIC:</b> 15°/24°/36°
		<b>Luminousflux:</b> 180lm	<b>Power:</b> 3W	<b>Mainsvoltage:</b> DC24V
		<b>CRI:</b> Ra>90	<b>Outputvoltage:</b> 3V	<b>Description:</b> Magneticsuction
		<b>CCT:</b> 2700K/3000K/4000K/5000K	<b>Outputcurrent:</b> 700mA	<b>Cutout:</b> /



GPS-97




 High CRI	 IP20	<b>LightSource:</b> COB	<b>Material:</b> Aluminum	<b>OPTIC:</b> 40°
		<b>Luminousflux:</b> 450lm	<b>Power:</b> 5W	<b>Mainsvoltage:</b> DC24V
		<b>CRI:</b> Ra>90	<b>Outputvoltage:</b> 36V	<b>Description:</b> Magneticsuction
		<b>CCT:</b> 2700K/3000K/4000K/5000K	<b>Outputcurrent:</b> 120mA	<b>Cutout:</b> /



GPS-96-B



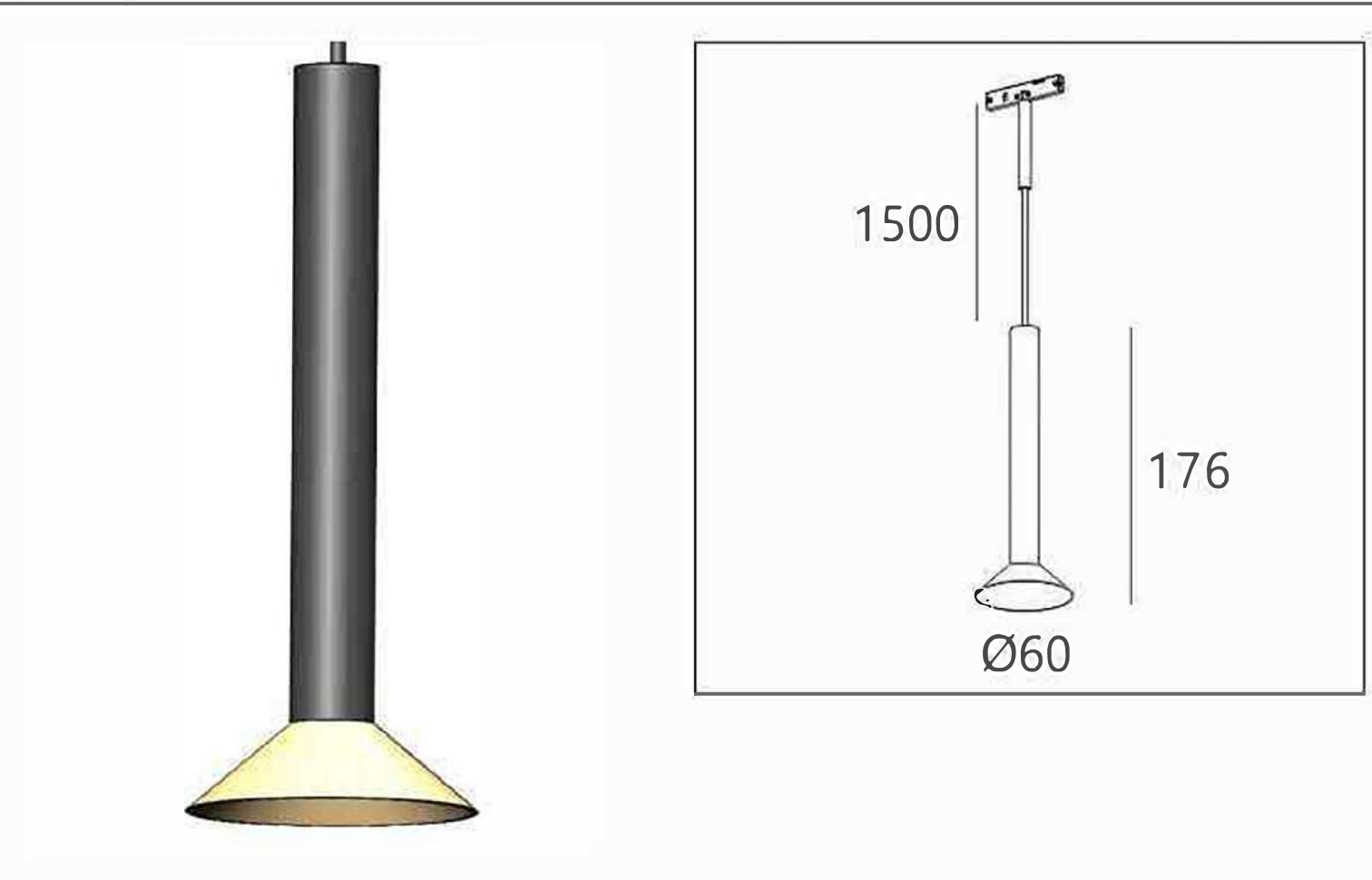
 High CRI	 IP20	<b>LightSource:</b> LED	<b>Material:</b> Aluminum	<b>OPTIC:</b> 15°/24°/36°
		<b>Luminousflux:</b> 180lm	<b>Power:</b> 3W	<b>Mainsvoltage:</b> DC24V
		<b>CRI:</b> Ra>90	<b>Outputvoltage:</b> 3V	<b>Description:</b> Magneticsuction
		<b>CCT:</b> 2700K/3000K/4000K/5000K	<b>Outputcurrent:</b> 700mA	<b>Cutout:</b> /



GPS-98




 High CRI	 IP20	<b>LightSource:</b> LED	<b>Material:</b> Aluminum	<b>OPTIC:</b> 15°/24°/36°
		<b>Luminousflux:</b> 180lm	<b>Power:</b> 3W	<b>Mainsvoltage:</b> DC24V
		<b>CRI:</b> Ra>90	<b>Outputvoltage:</b> 3V	<b>Description:</b> Magneticsuction
		<b>CCT:</b> 2700K/3000K/4000K/5000K	<b>Outputcurrent:</b> 700mA	<b>Cutout:</b> /



GPS-96-C



 High CRI	 IP20	<b>LightSource:</b> LED	<b>Material:</b> Aluminum	<b>OPTIC:</b> 15°/24°/36°
		<b>Luminousflux:</b> 180lm	<b>Power:</b> 3W	<b>Mainsvoltage:</b> DC24V
		<b>CRI:</b> Ra>90	<b>Outputvoltage:</b> 3V	<b>Description:</b> Magneticsuction
		<b>CCT:</b> 2700K/3000K/4000K/5000K	<b>Outputcurrent:</b> 700mA	<b>Cutout:</b> /

GPS-99



 High CRI	 IP20	<b>LightSource:</b> COB	<b>Material:</b> Aluminum	<b>OPTIC:</b> 40°
		<b>Luminousflux:</b> 450lm	<b>Power:</b> 5W	<b>Mainsvoltage:</b> DC24V
		<b>CRI:</b> Ra>90	<b>Outputvoltage:</b> 36V	<b>Description:</b> Magneticsuction
		<b>CCT:</b> 2700K/3000K/4000K/5000K	<b>Outputcurrent:</b> 120mA	<b>Cutout:</b> /

COLORS



BK

COLORS

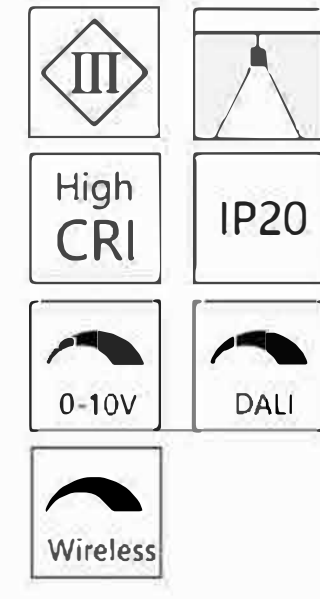
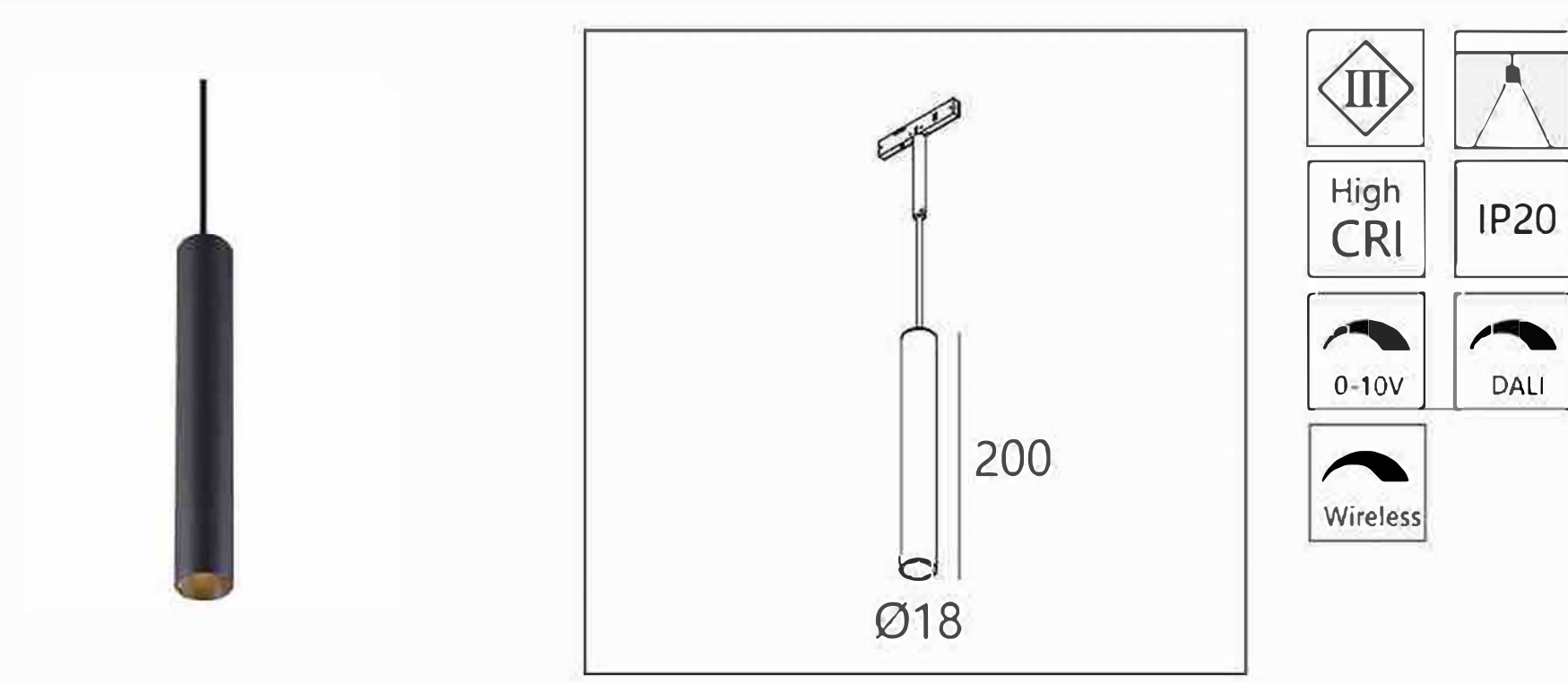


BK



GPS-100 GPS-101

GPS-100



**LightSource:**  
LED

**Luminousflux:**  
180lm

**CRI:**  
Ra > 90

**CCT:**  
2700K/3000K/4000K/5000K

**Material:**  
Aluminum

**Power:**  
3W

**Outputvoltage:**  
3V

**Outputcurrent:**  
700mA

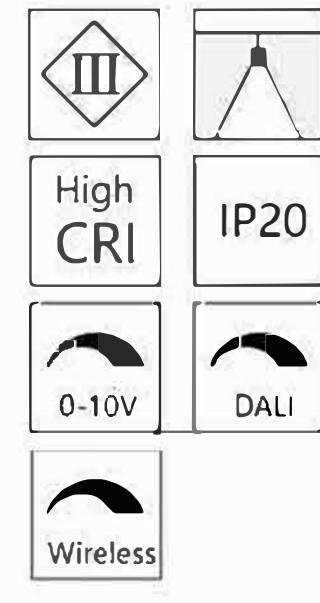
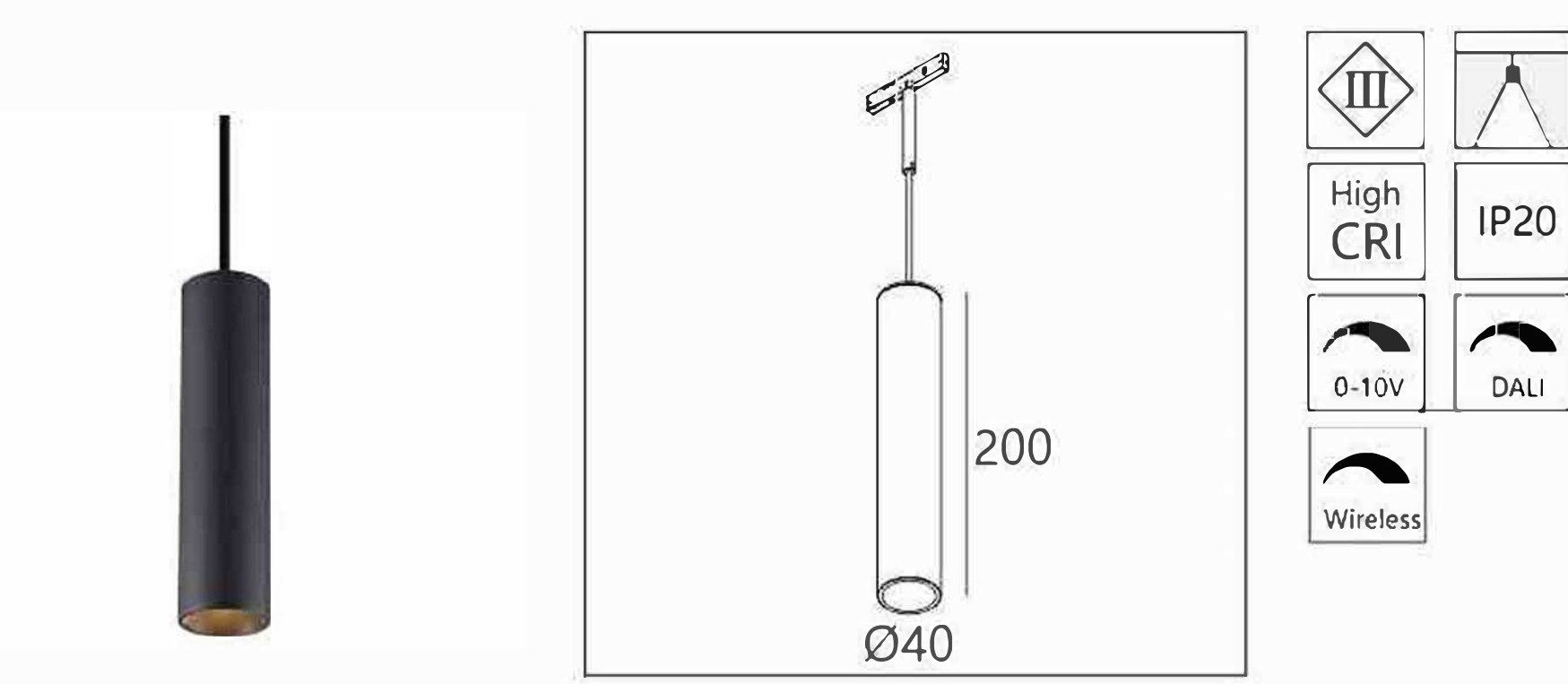
**OPTIC:**  
15°/24°/36°

**Mainsvoltage:**  
DC48V

**Description:**  
Magneticsuction

**Cutout:**  
/

GPS-101



**LightSource:**  
COB

**Luminousflux:**  
500lm

**CRI:**  
Ra > 90

**CCT:**  
2700K/3000K/4000K/5000K

**Material:**  
Aluminum

**Power:**  
7W

**Outputvoltage:**  
36V

**Outputcurrent:**  
150mA

**OPTIC:**  
15°/24°/36°

**Mainsvoltage:**  
DC48V

**Description:**  
Magneticsuction

**Cutout:**  
/

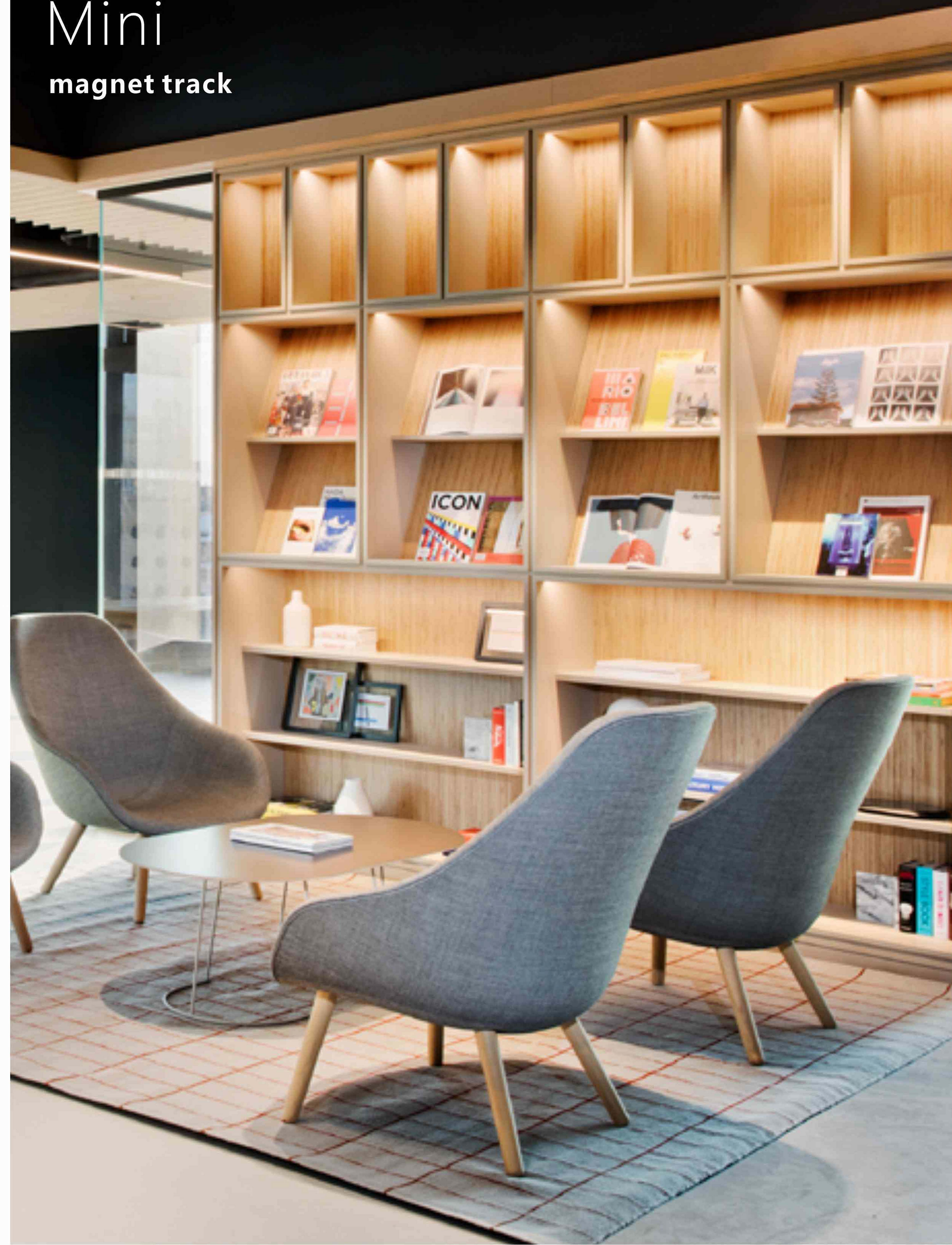


COLORS



BK

# Mini magnet track











## Embedded wall washer spotlight

Heavy upgrade and new experience

- The light source is deeply hidden and anti-glare
- Precision casting all-aluminum lamp body
- Ra≥90

## Deeply hidden light source precise light control

Adopt TIR reflection penetration light control technology lens  
precise and soft light control





## Ra ≥ 90 highly restores the true nature of art

High CRI chip / true color reproduction / high saturation and rich details



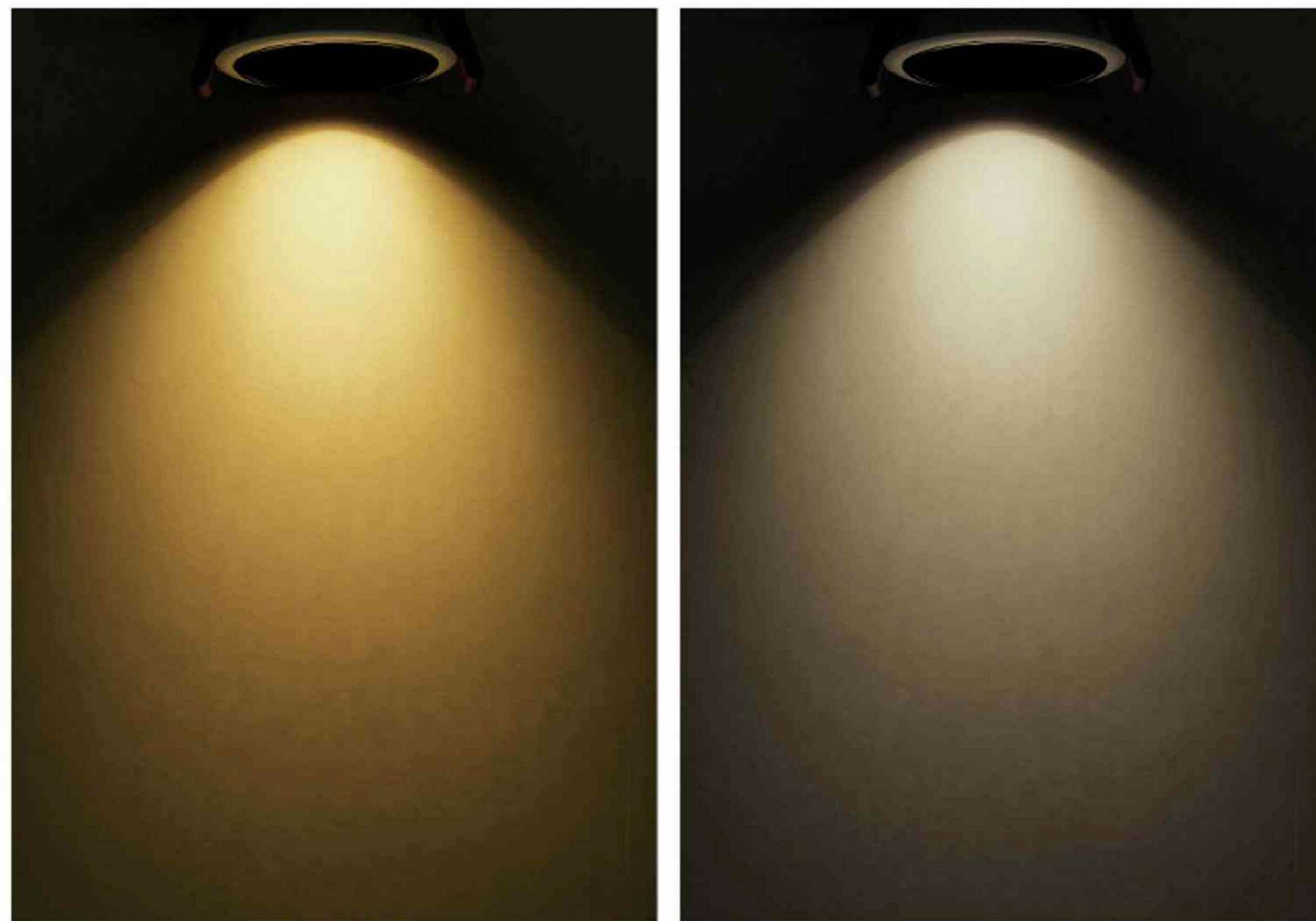
High color rendering ≥90

Low color rendering <80

## Color temperature effect display

3000K

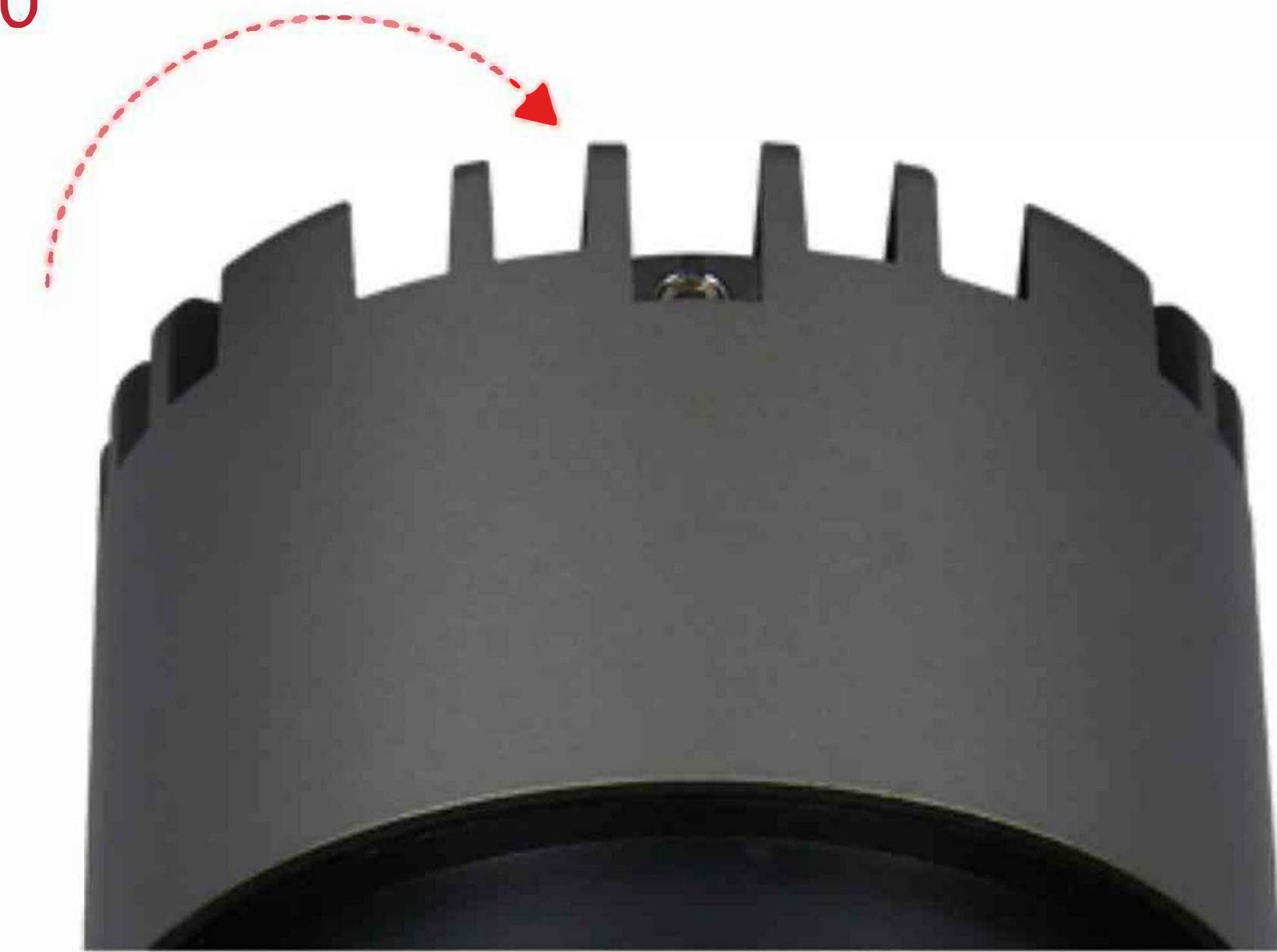
4000K



## Delicate and flexible left and right angle adjustment

Adjustable light angle of 30 degrees  
more accurate light control

Adjustable 30°





## Air convection cooling

- Quickly dissipate
- heatprotect the chip
- and have a longer life



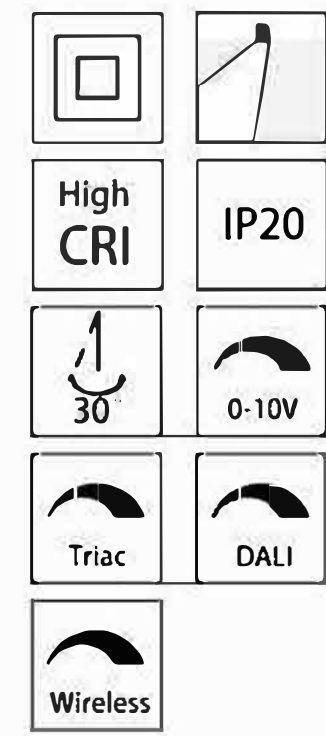
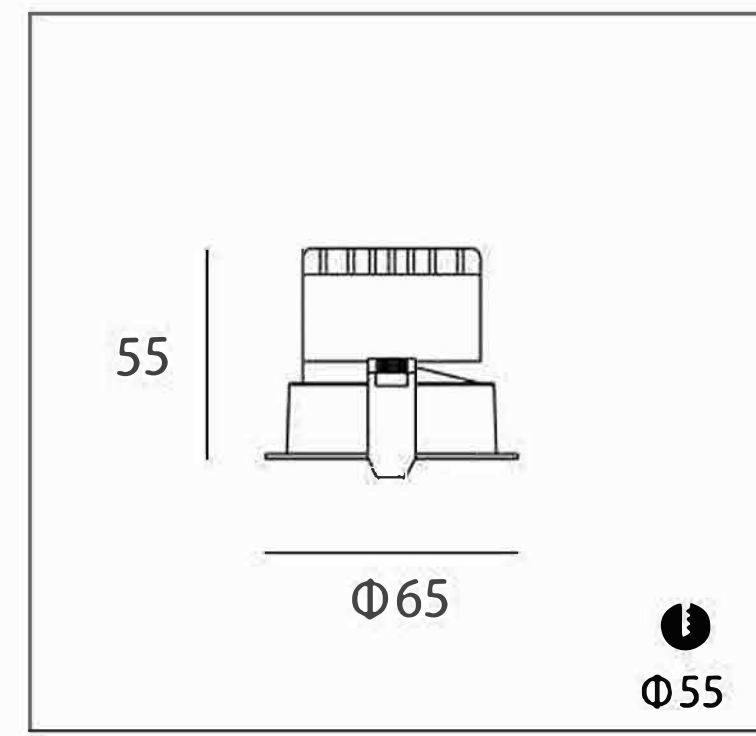
## A variety of lamp cup colors are available

Seiko preferred reflectors with high reflectivity





GPS-102



**Light Source:**  
COB

**Luminous flux:**  
450 lm

**CRI:**  
Ra>90

**CCT:**  
2700K/3000K/4000K/5000K

**Material:**  
Aluminum

**Power:**  
7W

**Output voltage:**  
36V

**Output current:**  
150mA

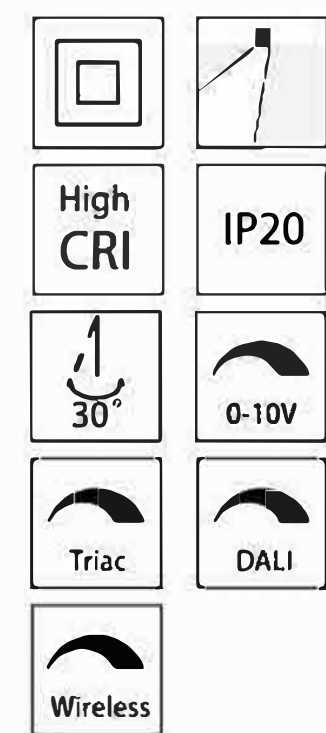
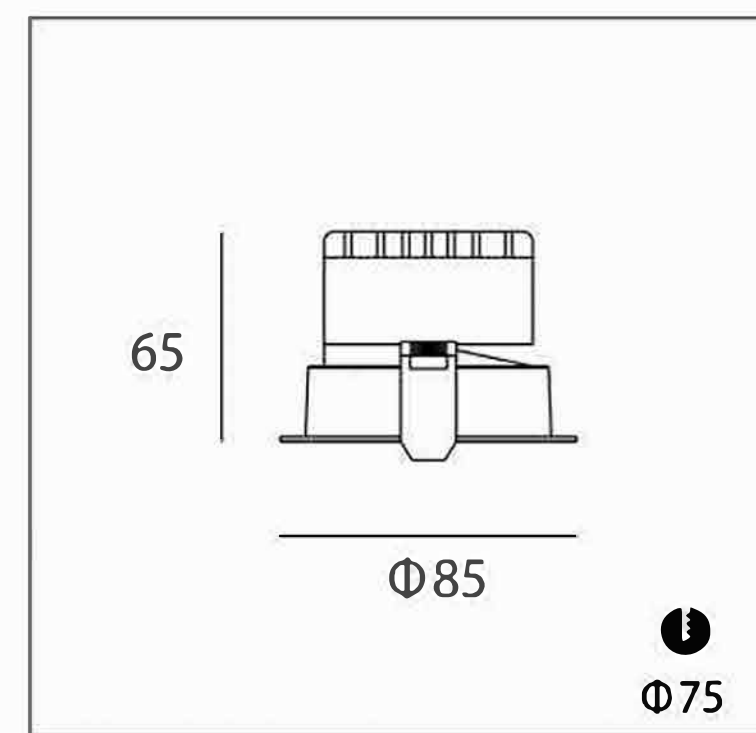
**OPTIC:**  
24° /36°

**Mains voltage:**  
220-240V 50/60Hz

**Description:**  
Downlight

**Cutout:**  
Φ55

GPS-103



**Light Source:**  
COB

**Luminous flux:**  
550 lm

**CRI:**  
Ra>90

**CCT:**  
2700K/3000K/4000K/5000K

**Material:**  
Aluminum

**Power:**  
9W

**Output voltage:**  
36V

**Output current:**  
200mA

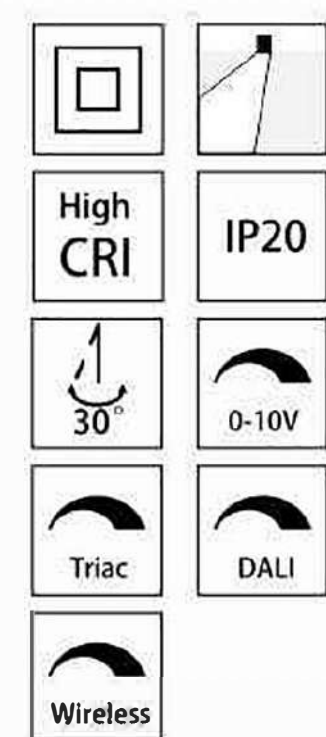
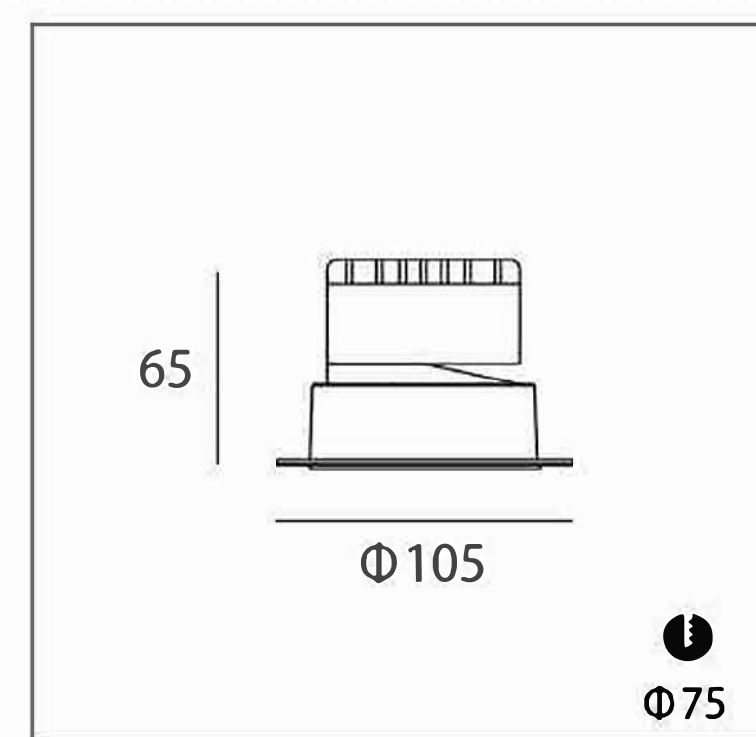
**OPTIC:**  
24° /36°

**Mains voltage:**  
220-240V 50/60Hz

**Description:**  
Downlight

**Cutout:**  
Φ75

GPS-104



**Light Source:**  
COB

**Luminous flux:**  
550 lm

**CRI:**  
Ra>90

**CCT:**  
2700K/3000K/4000K/5000K

**Material:**  
Aluminum

**Power:**  
9W

**Output voltage:**  
36V

**Output current:**  
200mA

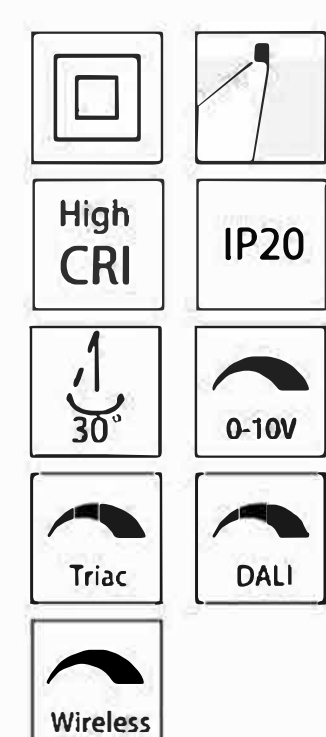
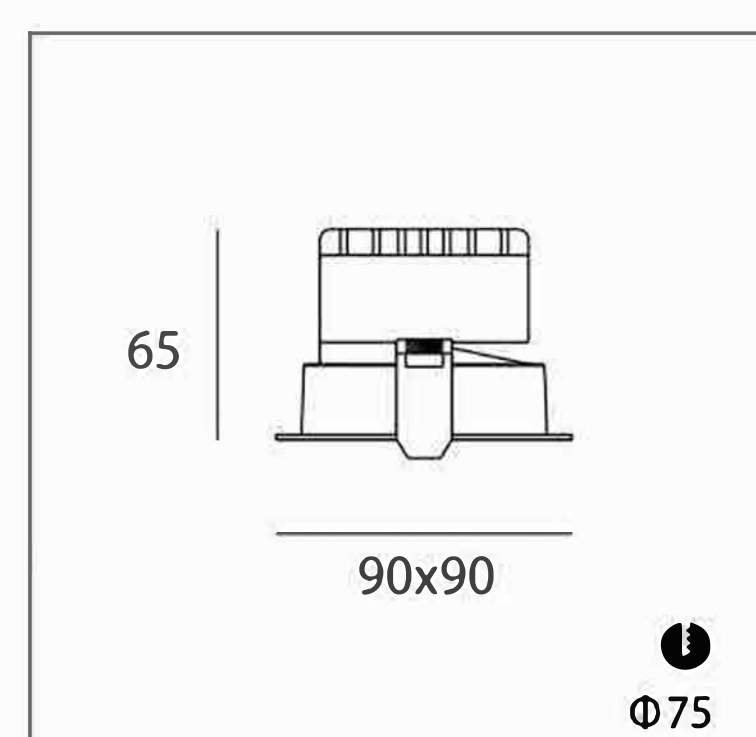
**OPTIC:**  
24° /36°

**Mains voltage:**  
220-240V 50/60Hz

**Description:**  
Downlight

**Cutout:**  
Φ75

GPS-105



**Light Source:**  
COB

**Luminous flux:**  
550 lm

**CRI:**  
Ra>90

**CCT:**  
2700K/3000K/4000K/5000K

**Material:**  
Aluminum

**Power:**  
9W

**Output voltage:**  
36V

**Output current:**  
200mA

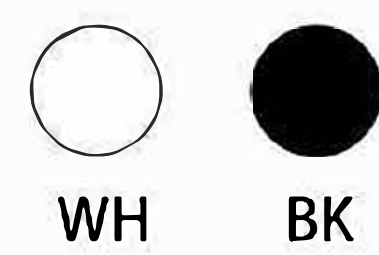
**OPTIC:**  
24° /36°

**Mains voltage:**  
220-240V 50/60Hz

**Description:**  
Downlight

**Cutout:**  
Φ75

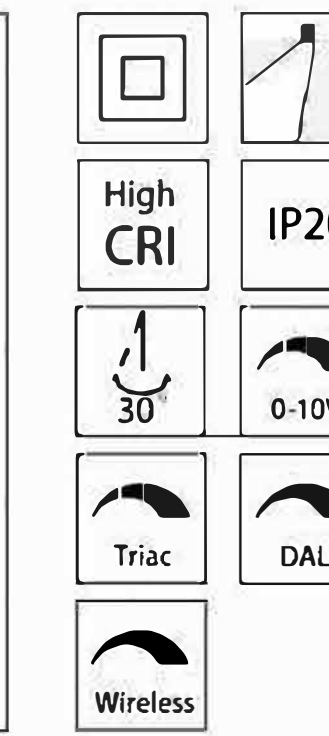
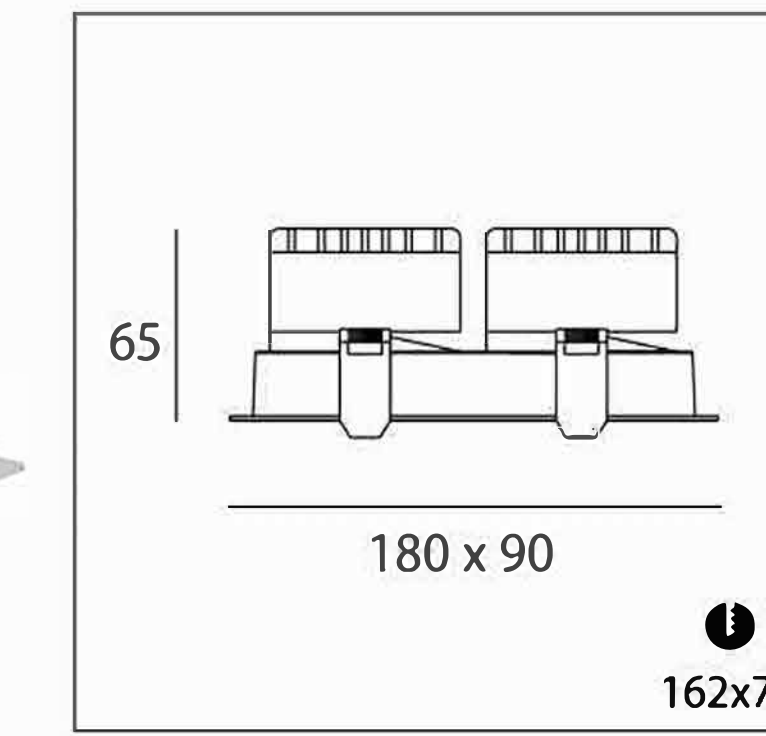
COLORS



ACCESSORIES



GPS-106



**Light Source:**  
COB

**Luminous flux:**  
550 lm x2

**CRI:**  
Ra>90

**CCT:**  
2700K/3000K/4000K/5000K

**Material:**  
Aluminum

**Power:**  
9W x2

**Output voltage:**  
36V

**Output current:**  
200mA

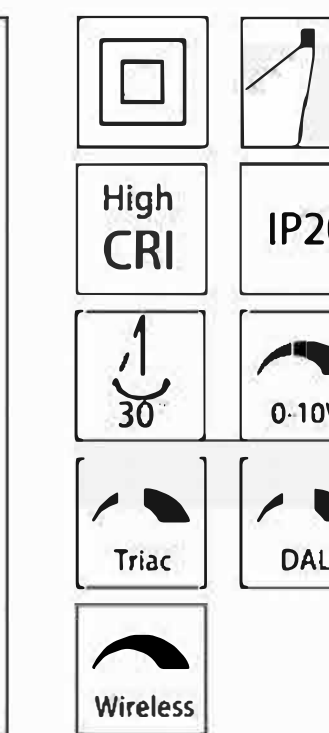
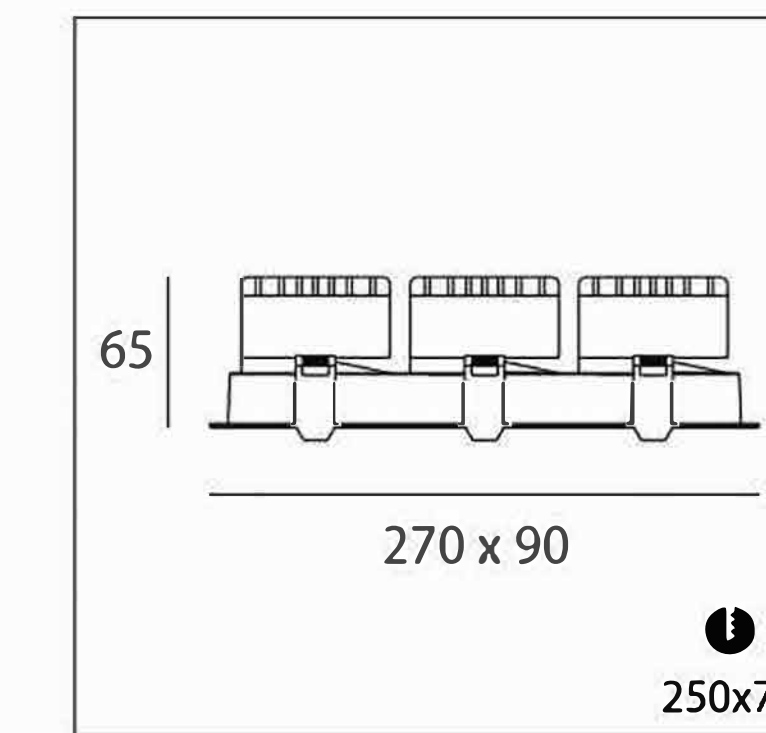
**OPTIC:**  
24° /36°

**Mains voltage:**  
220-240V 50/60Hz

**Description:**  
Downlight

**Cutout:**  
162 x 75

GPS-107



**Light Source:**  
COB

**Luminous flux:**  
550 lm x3

**CRI:**  
Ra>90

**CCT:**  
2700K/3000K/4000K/5000K

**Material:**  
Aluminum

**Power:**  
9W x3

**Output voltage:**  
36V

**Output current:**  
200mA

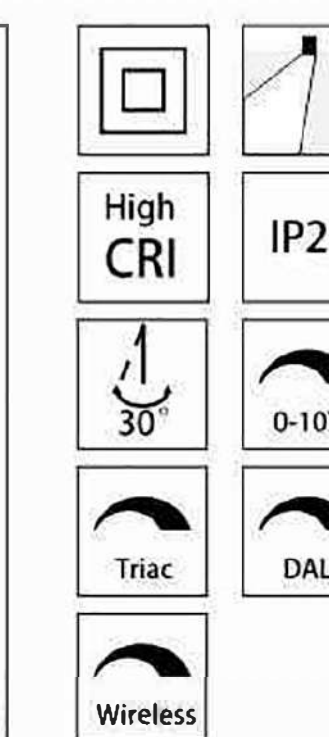
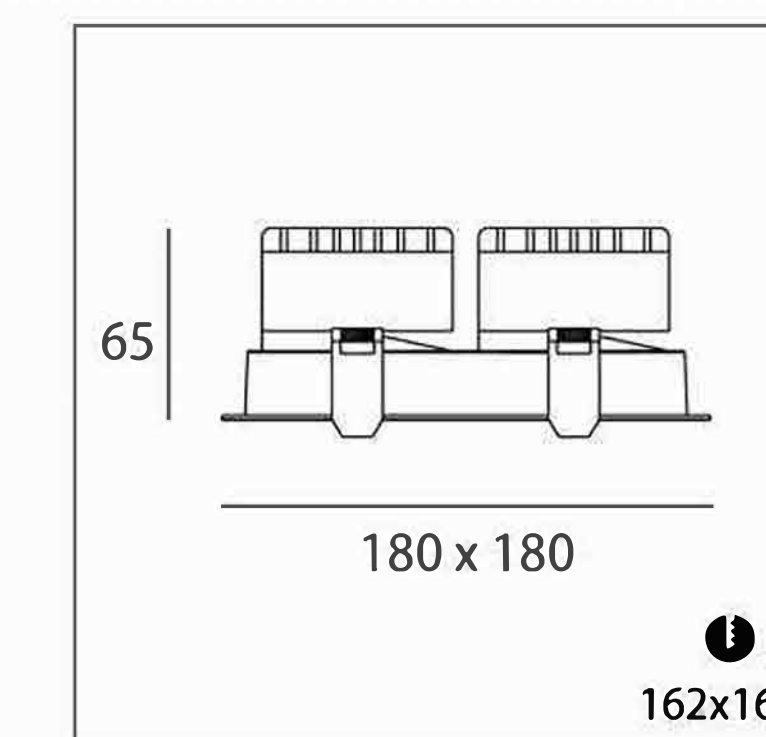
**OPTIC:**  
24° /36°

**Mains voltage:**  
220-240V 50/60Hz

**Description:**  
Downlight

**Cutout:**  
250x75

GPS-108



**Light Source:**  
COB

**Luminous flux:**  
550 lm x4

**CRI:**  
Ra>90

**CCT:**  
2700K/3000K/4000K/5000K

**Material:**  
Aluminum

**Power:**  
9W x4

**Output voltage:**  
36V

**Output current:**  
200mA

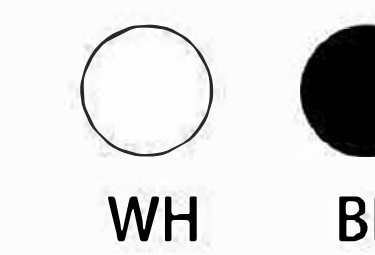
**OPTIC:**  
24° /36°

**Mains voltage:**  
220-240V 50/60Hz

**Description:**  
Downlight

**Cutout:**  
162 x 162

COLORS

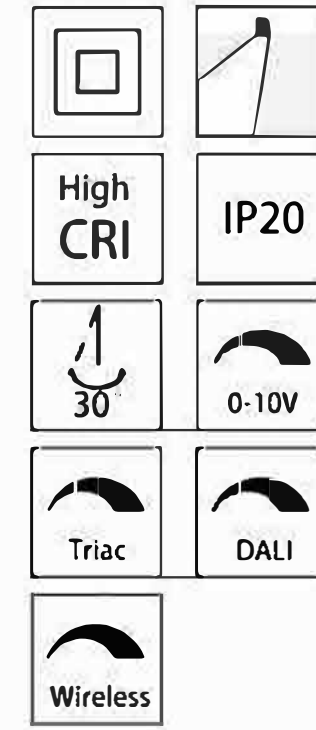
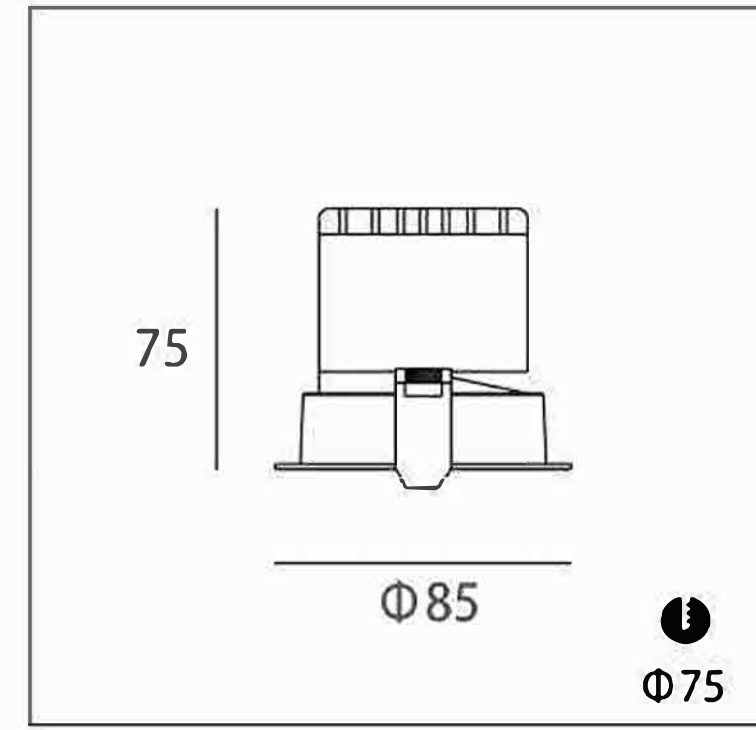


ACCESSORIES





GPS-109



**Light Source:**  
COB

**Luminous flux:**  
800 lm

**CRI:**  
Ra>90

**CCT:**  
2700K/3000K/4000K/5000K

**Material:**  
Aluminum

**Power:**  
12W

**Output voltage:**  
36V

**Output current:**  
300mA

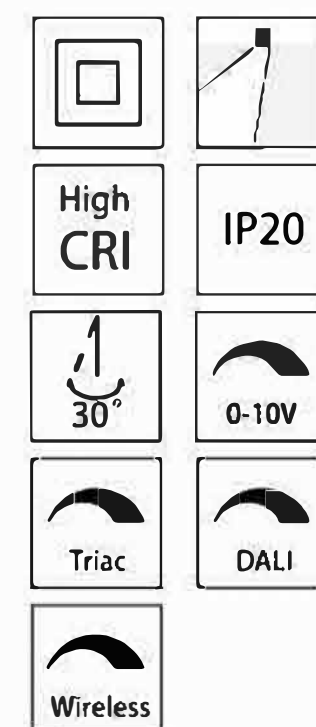
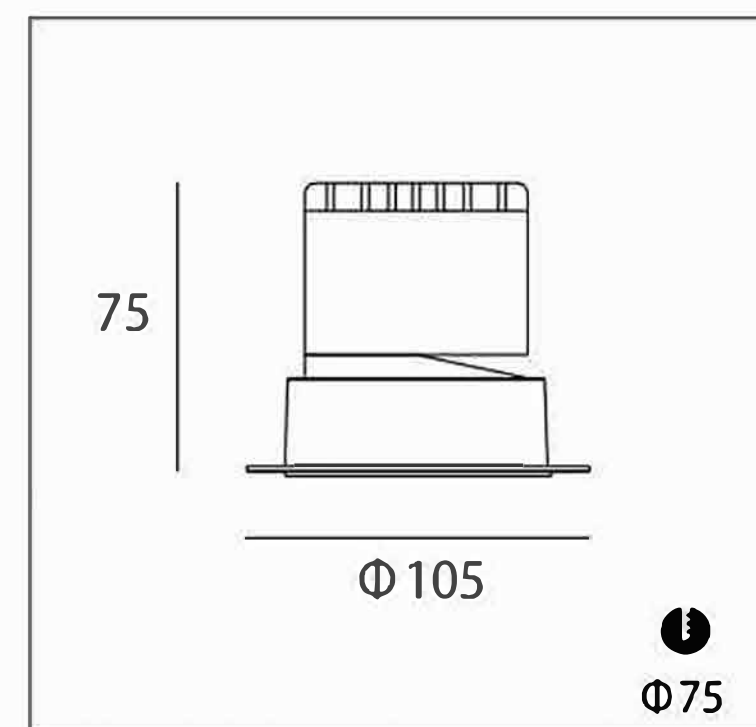
**OPTIC:**  
24° /36°

**Mains voltage:**  
220-240V 50/60Hz

**Description:**  
Downlight

**Cutout:**  
Φ75

GPS-110



**Light Source:**  
COB

**Luminous flux:**  
800 lm

**CRI:**  
Ra>90

**CCT:**  
2700K/3000K/4000K/5000K

**Material:**  
Aluminum

**Power:**  
12W

**Output voltage:**  
36V

**Output current:**  
300mA

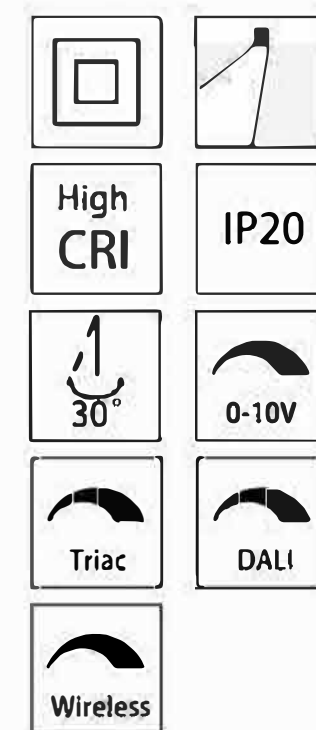
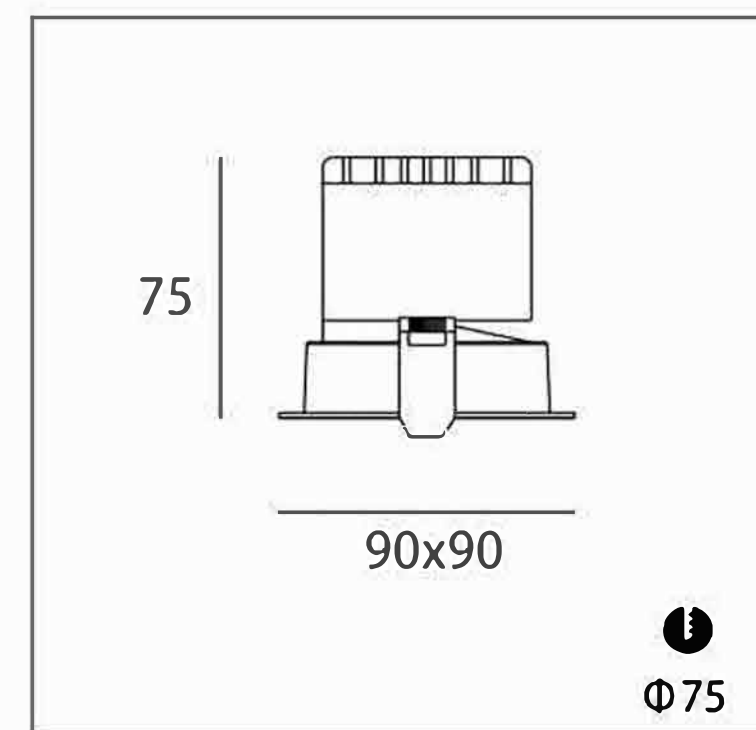
**OPTIC:**  
24° /36°

**Mains voltage:**  
220-240V 50/60Hz

**Description:**  
Downlight

**Cutout:**  
Φ75

GPS-111



**Light Source:**  
COB

**Luminous flux:**  
800 lm

**CRI:**  
Ra>90

**CCT:**  
2700K/3000K/4000K/5000K

**Material:**  
Aluminum

**Power:**  
12W

**Output voltage:**  
36V

**Output current:**  
300mA

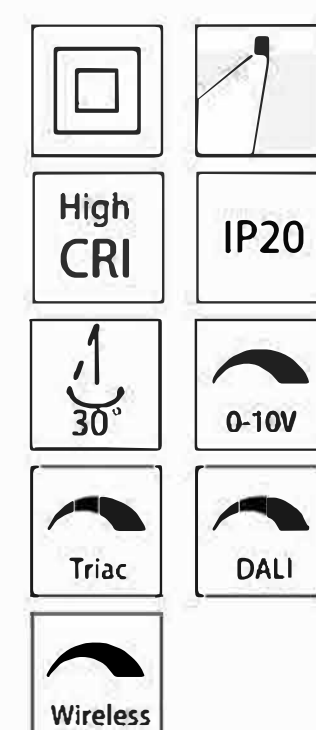
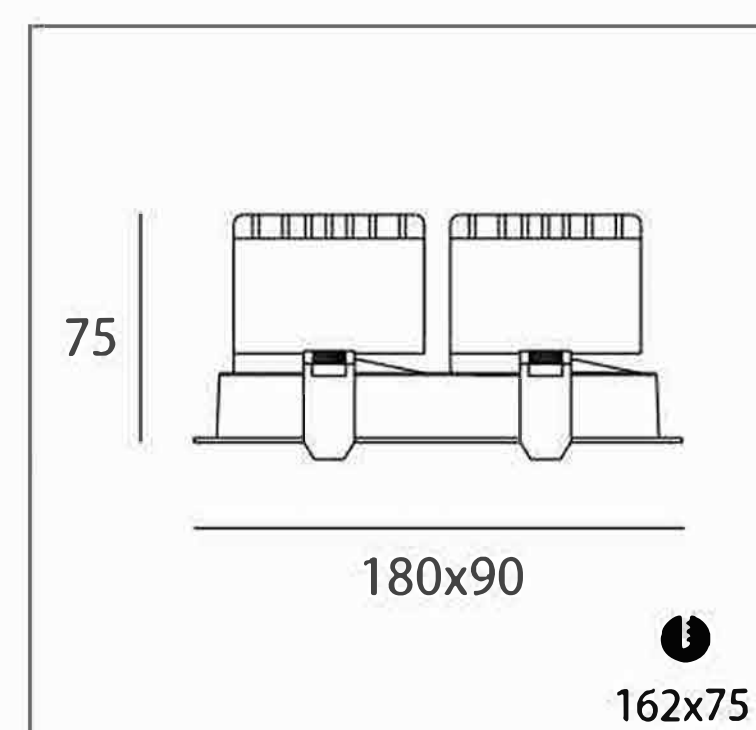
**OPTIC:**  
24° /36°

**Mains voltage:**  
220-240V 50/60Hz

**Description:**  
Downlight

**Cutout:**  
Φ75

GPS-112



**Light Source:**  
COB

**Luminous flux:**  
800 lm x2

**CRI:**  
Ra>90

**CCT:**  
2700K/3000K/4000K/5000K

**Material:**  
Aluminum

**Power:**  
12W x2

**Output voltage:**  
36V

**Output current:**  
200mA

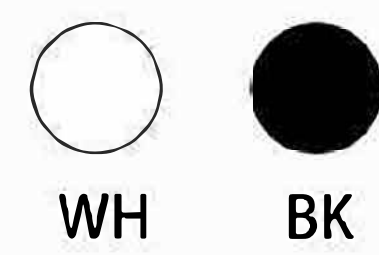
**OPTIC:**  
24° /36°

**Mains voltage:**  
220-240V 50/60Hz

**Description:**  
Downlight

**Cutout:**  
162x75

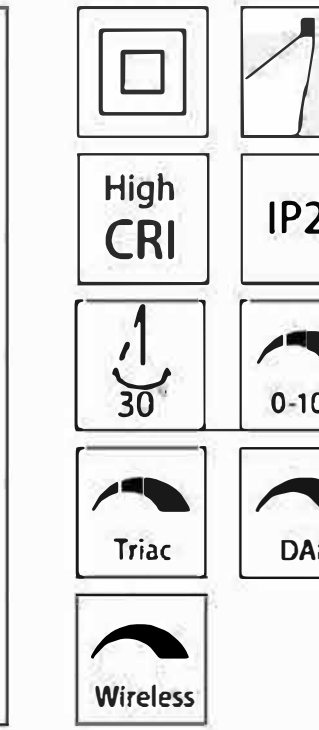
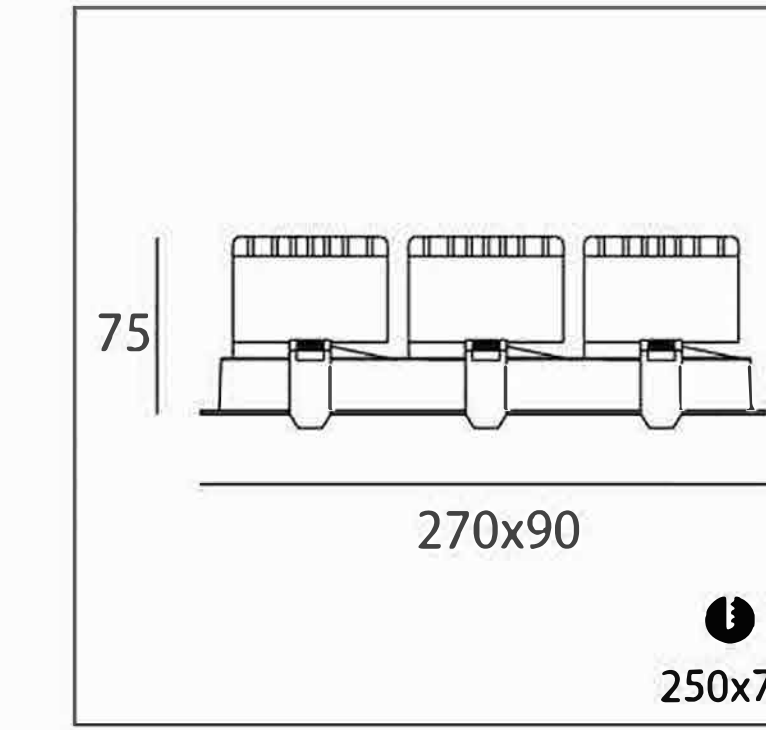
COLORS



ACCESSORIES



GPS-113



**Light Source:**  
COB

**Luminous flux:**  
800 lm x3

**CRI:**  
Ra>90

**CCT:**  
2700K/3000K/4000K/5000K

**Material:**  
Aluminum

**Power:**  
12W x3

**Output voltage:**  
36V

**Output current:**  
300mA

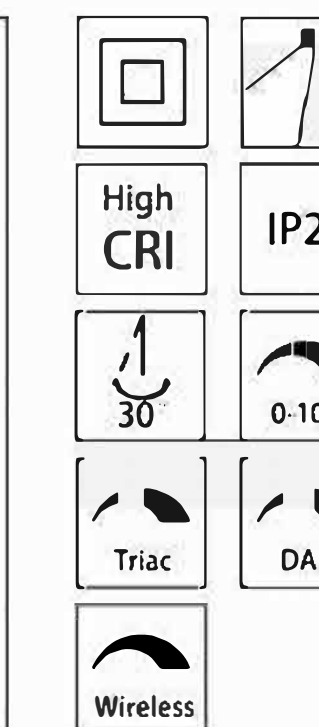
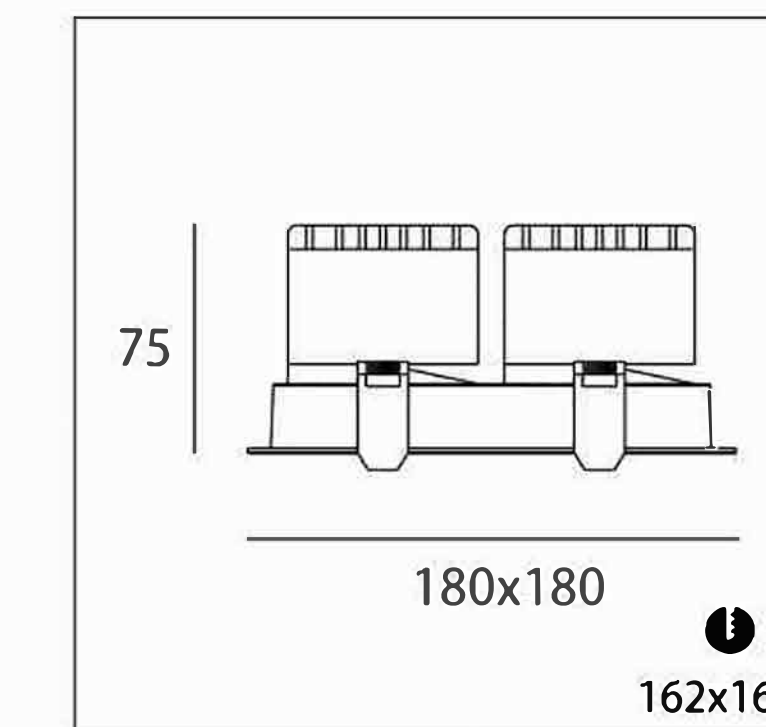
**OPTIC:**  
24° /36°

**Mains voltage:**  
220-240V 50/60Hz

**Description:**  
Downlight

**Cutout:**  
250x75

GPS-114



**Light Source:**  
COB

**Luminous flux:**  
800 lm x4

**CRI:**  
Ra>90

**CCT:**  
2700K/3000K/4000K/5000K

**Material:**  
Aluminum

**Power:**  
12W x4

**Output voltage:**  
36V

**Output current:**  
300mA

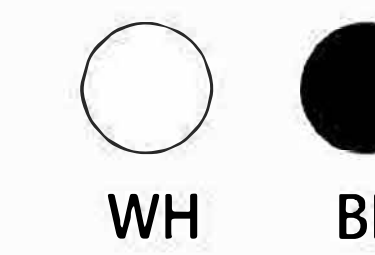
**OPTIC:**  
24° /36°

**Mains voltage:**  
220-240V 50/60Hz

**Description:**  
Downlight

**Cutout:**  
162x162

COLORS

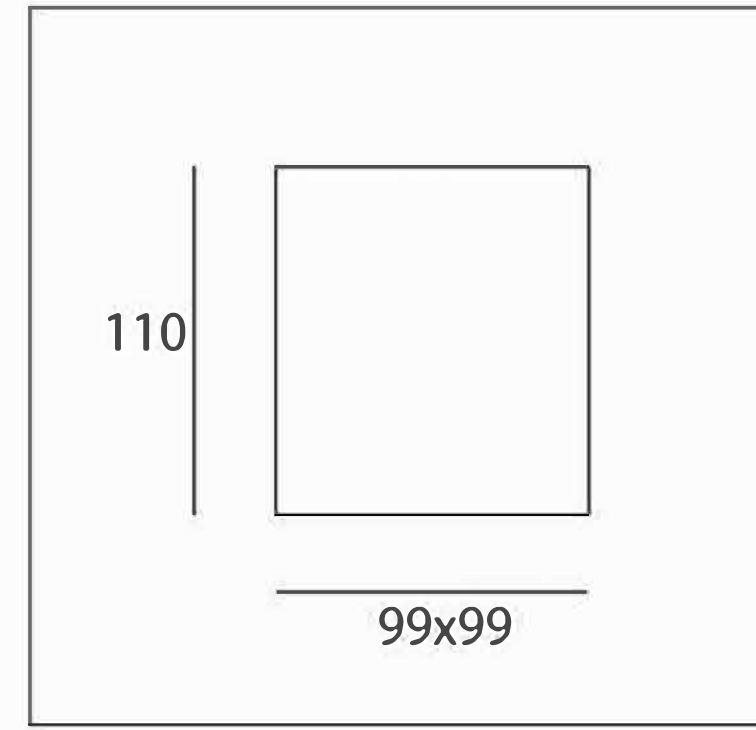


ACCESSORIES





GPS-115



**Light Source:**  
COB

**Luminous flux:**  
800 lm

**CRI:**  
Ra>90

**CCT:**  
2700K/3000K/4000K/5000K

**Material:**  
Aluminum

**Power:**  
12W

**Output voltage:**  
36V

**Output current:**  
300mA

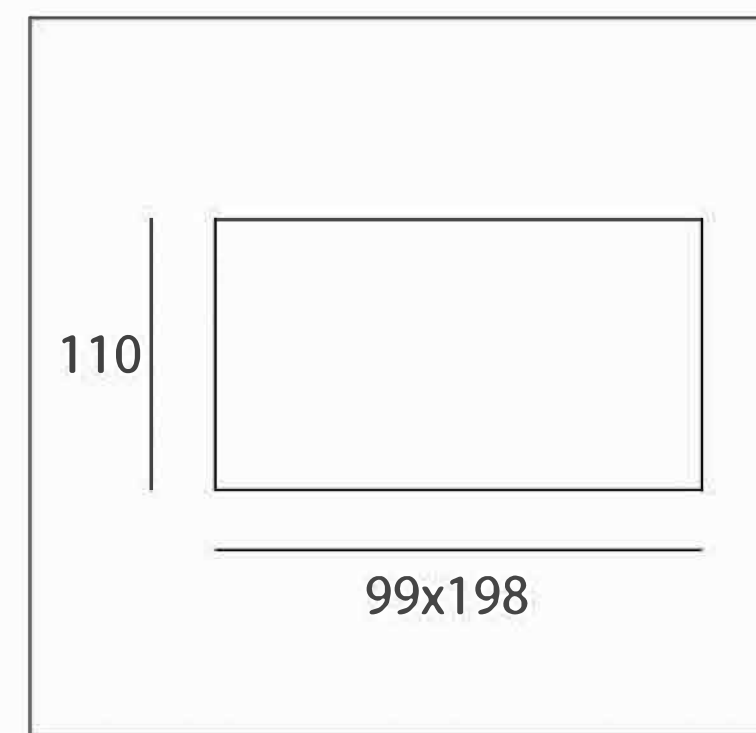
**OPTIC:**  
24° /36°

**Mains voltage:**  
220-240V 50/60Hz

**Description:**  
General Lighting

**Cutout:**  
/

GPS-116



**Light Source:**  
COB

**Luminous flux:**  
800 lm x2

**CRI:**  
Ra>90

**CCT:**  
2700K/3000K/4000K/5000K

**Material:**  
Aluminum

**Power:**  
12W x2

**Output voltage:**  
36V

**Output current:**  
300mA

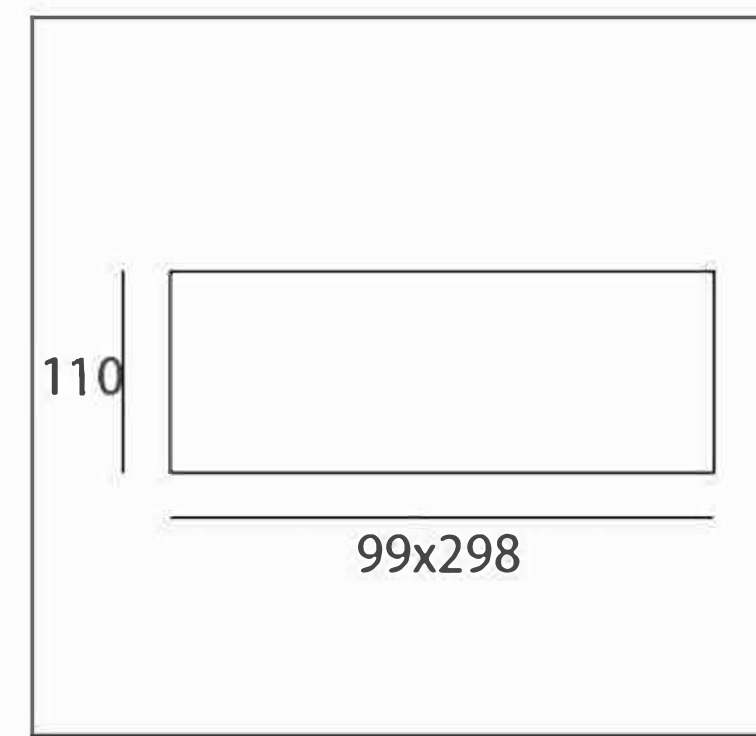
**OPTIC:**  
24° /36°

**Mains voltage:**  
220-240V 50/60Hz

**Description:**  
General Lighting

**Cutout:**  
/

GPS-117



**Light Source:**  
COB

**Luminous flux:**  
800 lm x3

**CRI:**  
Ra>90

**CCT:**  
2700K/3000K/4000K/5000K

**Material:**  
Aluminum

**Power:**  
12W x3

**Output voltage:**  
36V

**Output current:**  
300mA

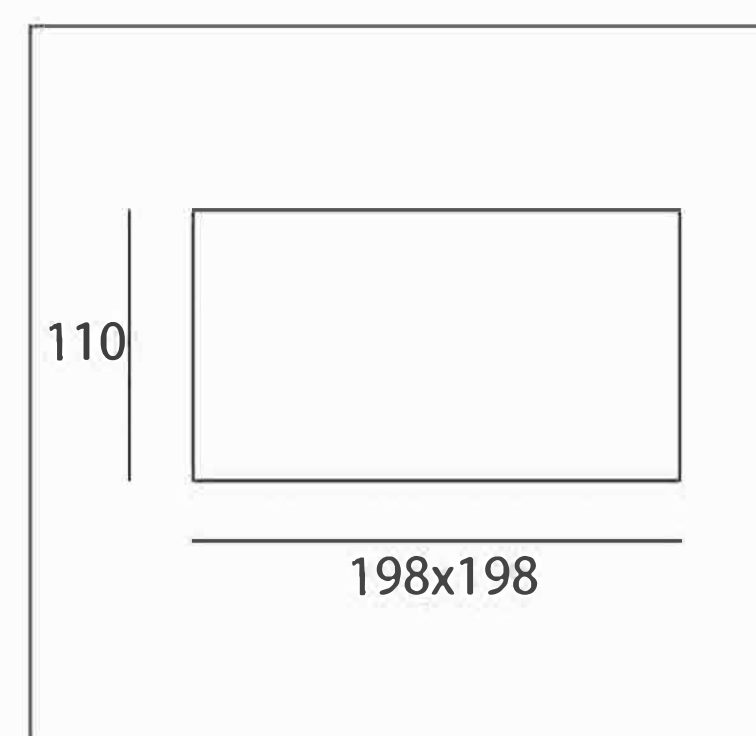
**OPTIC:**  
24° /36°

**Mains voltage:**  
220-240V 50/60Hz

**Description:**  
General Lighting

**Cutout:**  
/

GPS-118



**Light Source:**  
COB

**Luminous flux:**  
800 lm x4

**CRI:**  
Ra>90

**CCT:**  
2700K/3000K/4000K/5000K

**Material:**  
Aluminum

**Power:**  
12W x4

**Output voltage:**  
36V

**Output current:**  
200mA

**OPTIC:**  
24° /36°

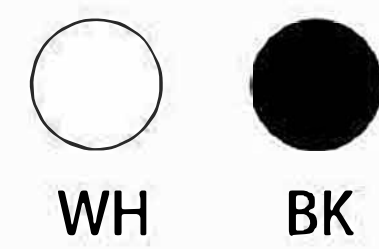
**Mains voltage:**  
220-240V 50/60Hz

**Description:**  
General Lighting

**Cutout:**  
/



COLORS



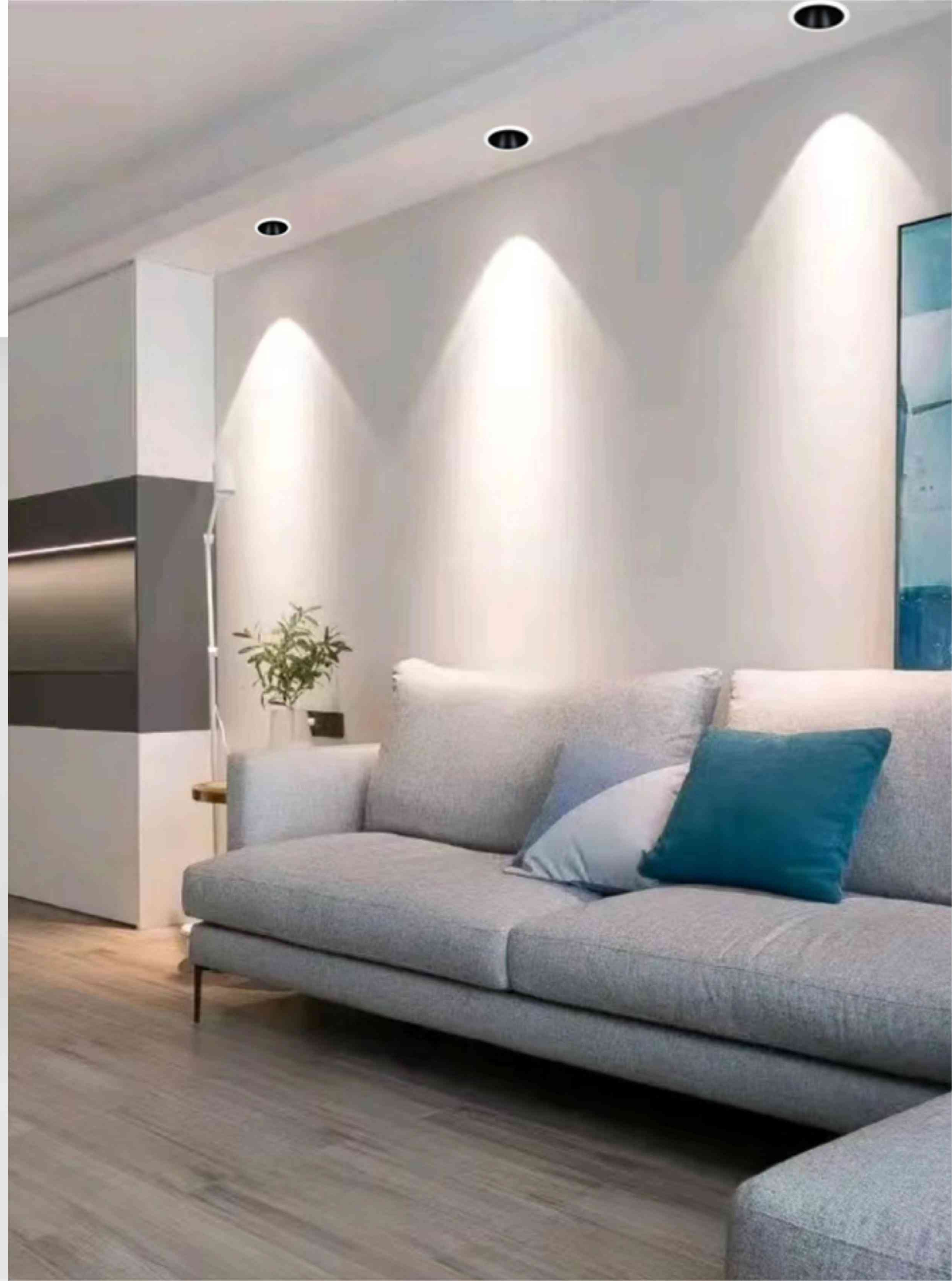
ACCESSORIES



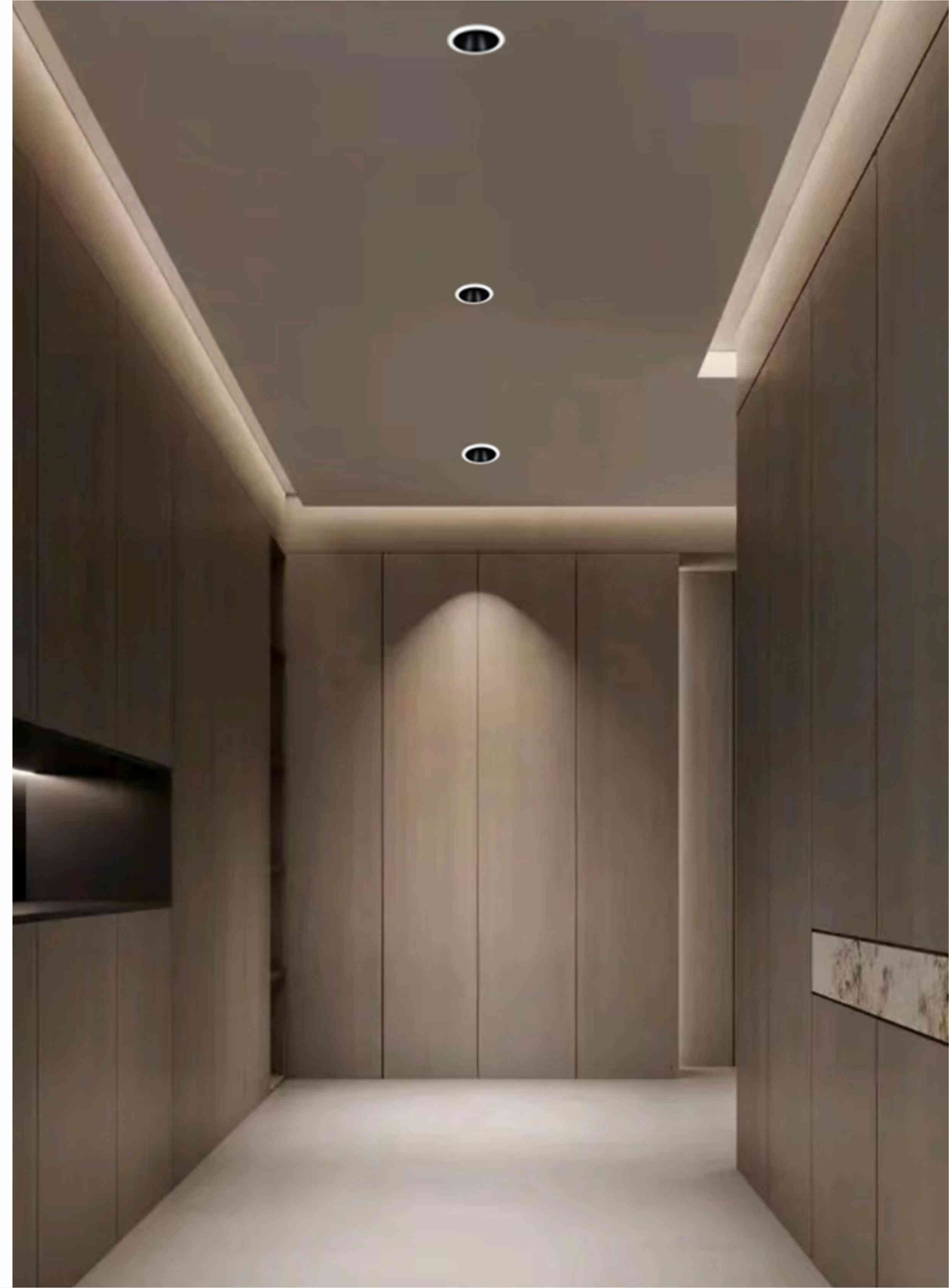


# SCENARIO SHOWS

Give space inspiration, simplicity is not simple











- Up and down luminescence
- Soft and comfortable lighting
- A variety of styles to meet the needs of different spaces





GPS-119  
2W+6W



GPS-120  
2W+10W



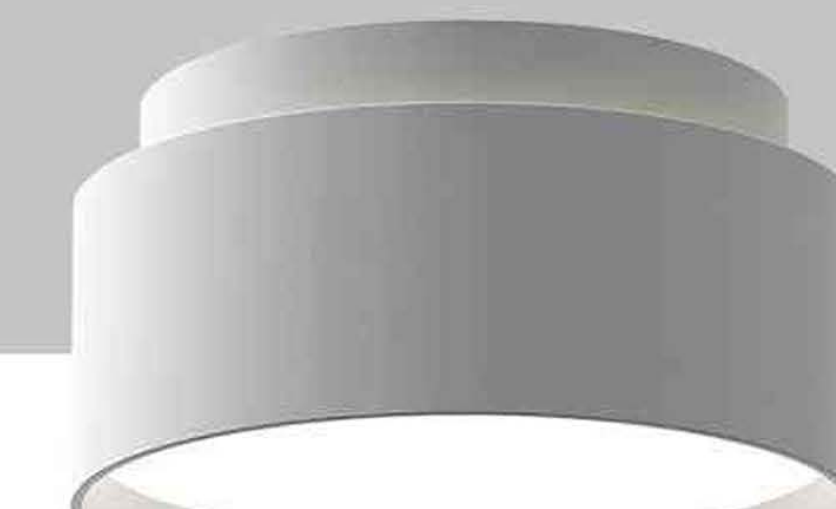
GPS-121  
2W+16W



GPS-127  
2W+6W



GPS-128  
2W+10W



GPS-129  
2W+16W



GPS-122  
3W+7W



GPS-123  
3W+12W



GPS-124  
3W+20W



GPS-130  
3W+12W



GPS-131  
3W+20W



GPS-125  
3W+7W



GPS-126  
3W+15W



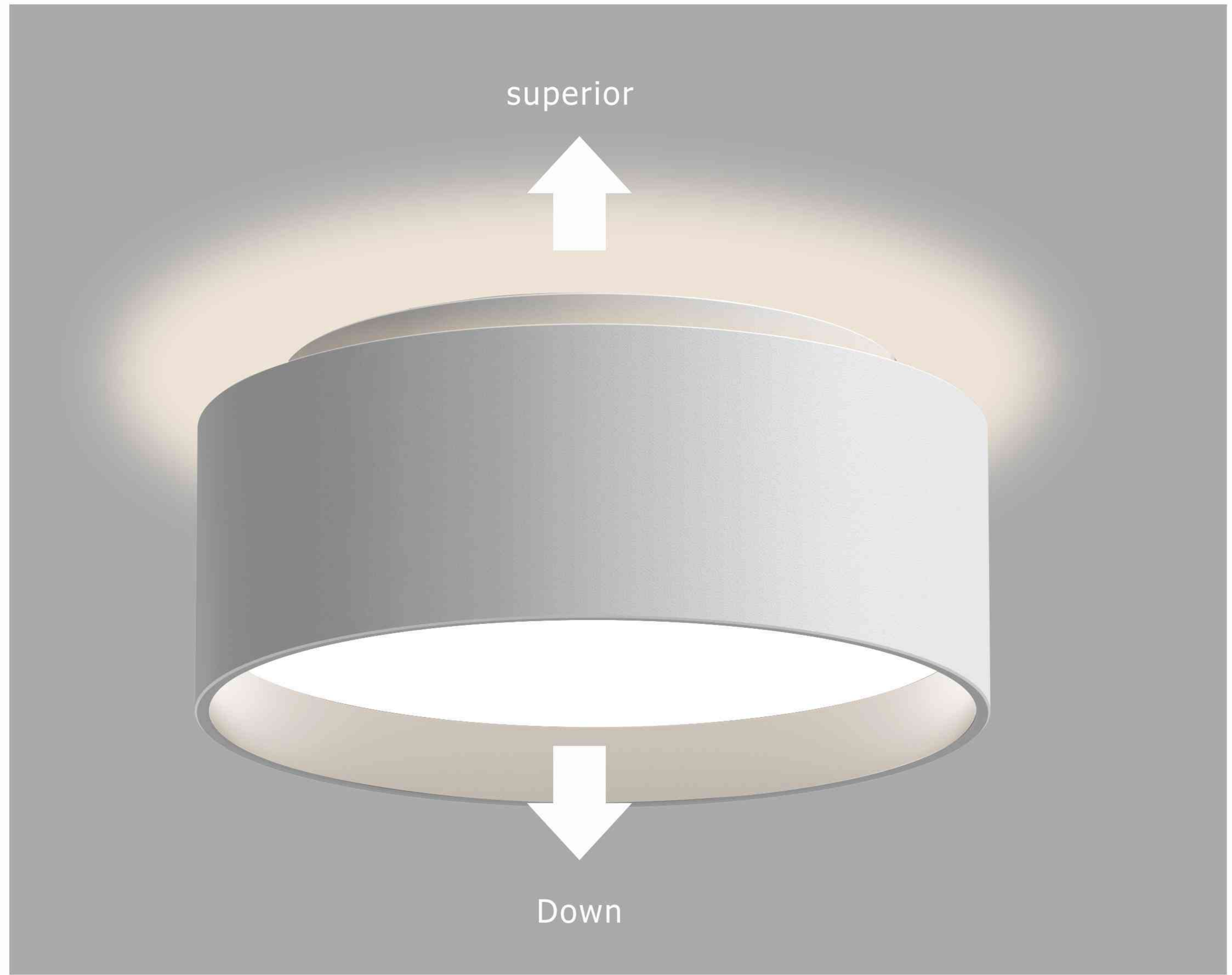
GPS-132  
3W+7W



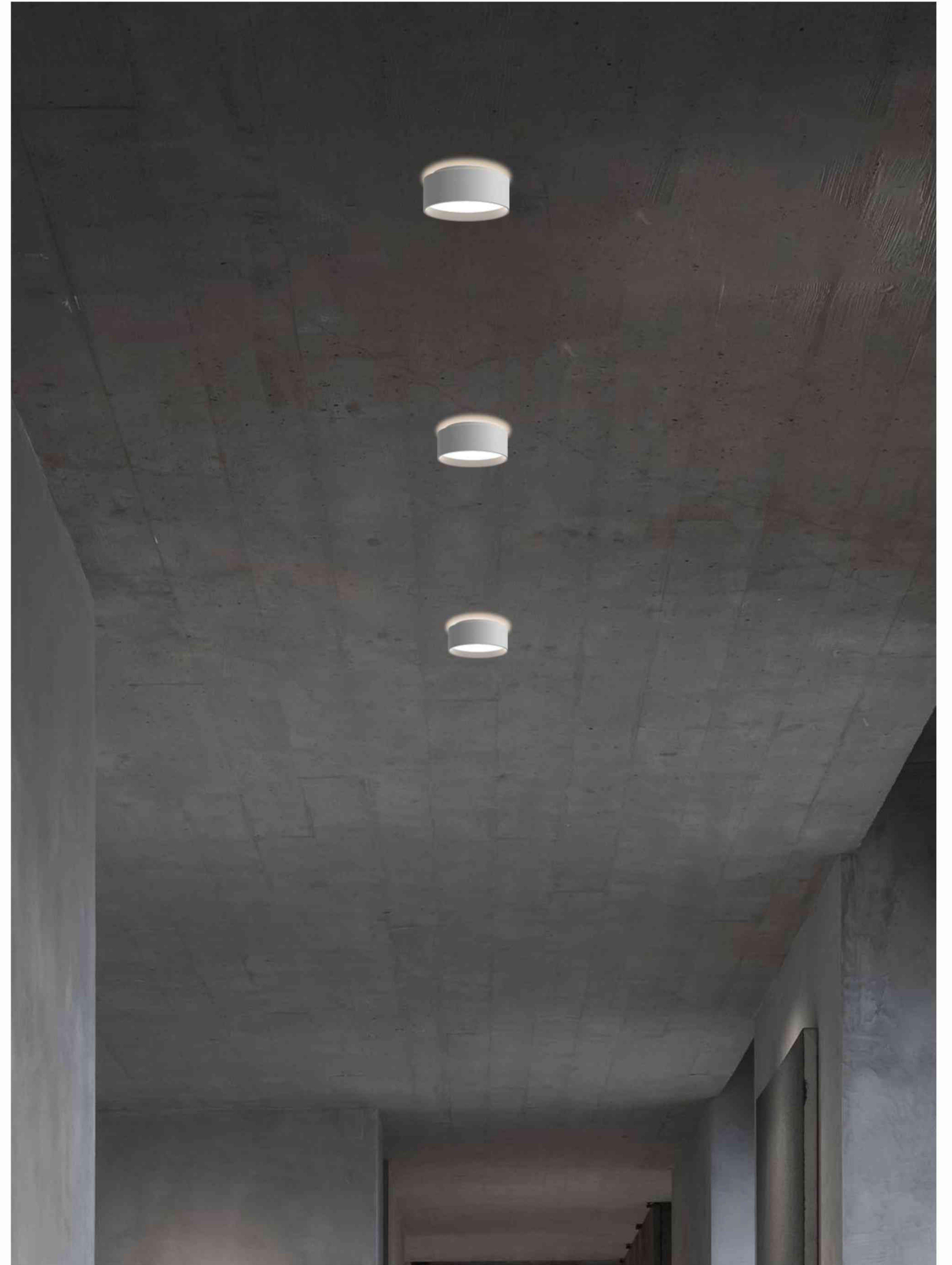
GPS-133  
3W+15W







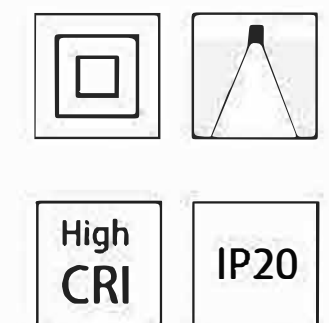
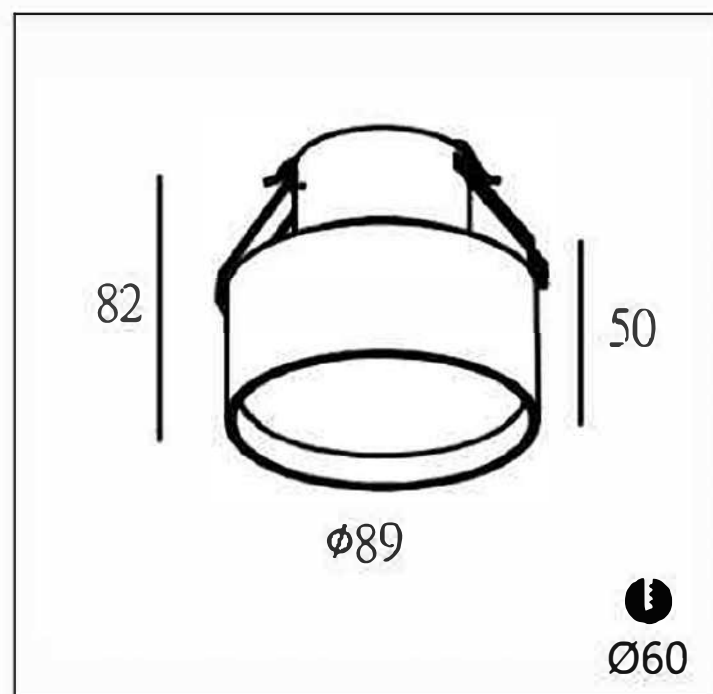
- Glow up and down





CEILING LIGHT series

GPS-134



**Light Source:**  
SMD

**Luminous flux:**  
500 lm

**CRI:**  
Ra>80

**CCT:**  
2700K/3000K/4000K/5000K

**Material:**  
Aluminum

**Power:**  
2W+6W

**Output voltage:**  
36V

**Output current:**  
200mA

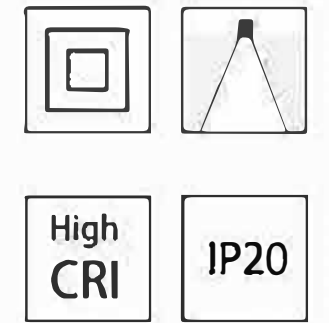
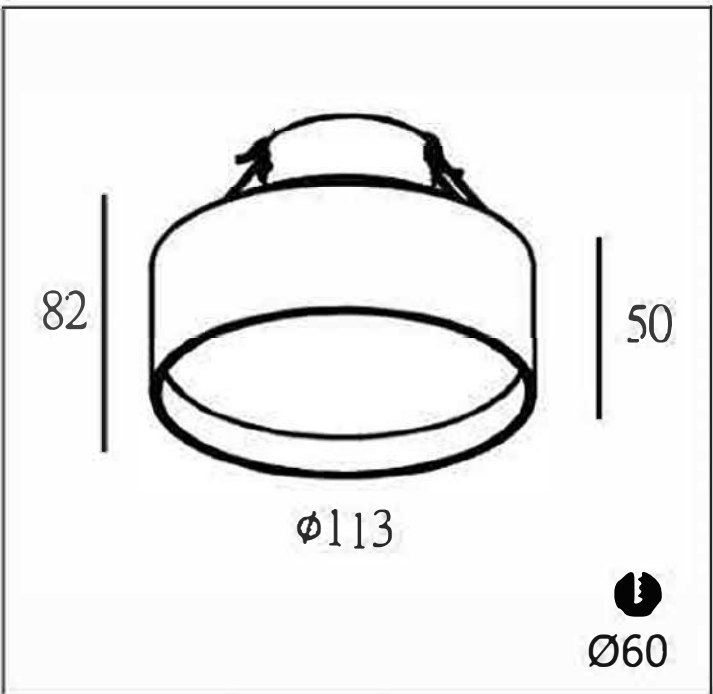
**OPTIC:**  
100°

**Mains voltage:**  
220-240V 50/60Hz

**Description:**  
Downlight

**Cutout:**  
Ø60

GPS-135



**Light Source:**  
SMD

**Luminous flux:**  
900 lm

**CRI:**  
Ra>80

**CCT:**  
2700K/3000K/4000K/5000K

**Material:**  
Aluminum

**Power:**  
2W+10W

**Output voltage:**  
36V

**Output current:**  
300mA

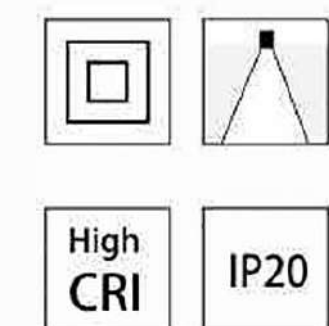
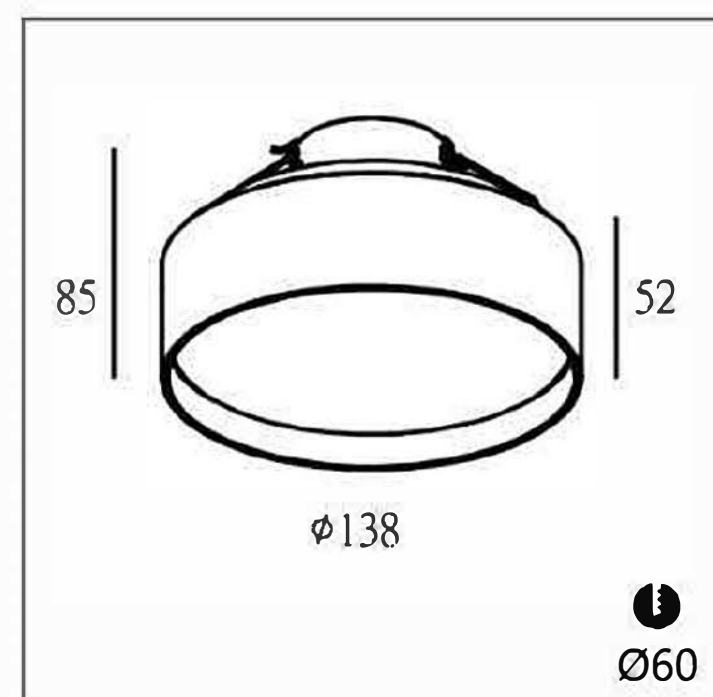
**OPTIC:**  
100°

**Mains voltage:**  
220-240V 50/60Hz

**Description:**  
Downlight

**Cutout:**  
Ø60

GPS-136



**Light Source:**  
SMD

**Luminous flux:**  
1300 lm

**CRI:**  
Ra>80

**CCT:**  
2700K/3000K/4000K/5000K

**Material:**  
Aluminum

**Power:**  
2W+16W

**Output voltage:**  
36V

**Output current:**  
500mA

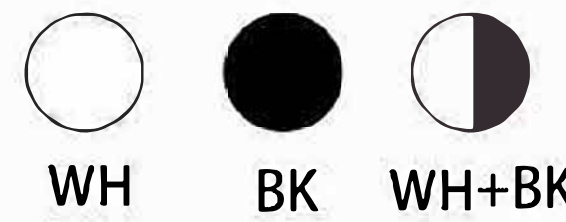
**OPTIC:**  
100°

**Mains voltage:**  
220-240V 50/60Hz

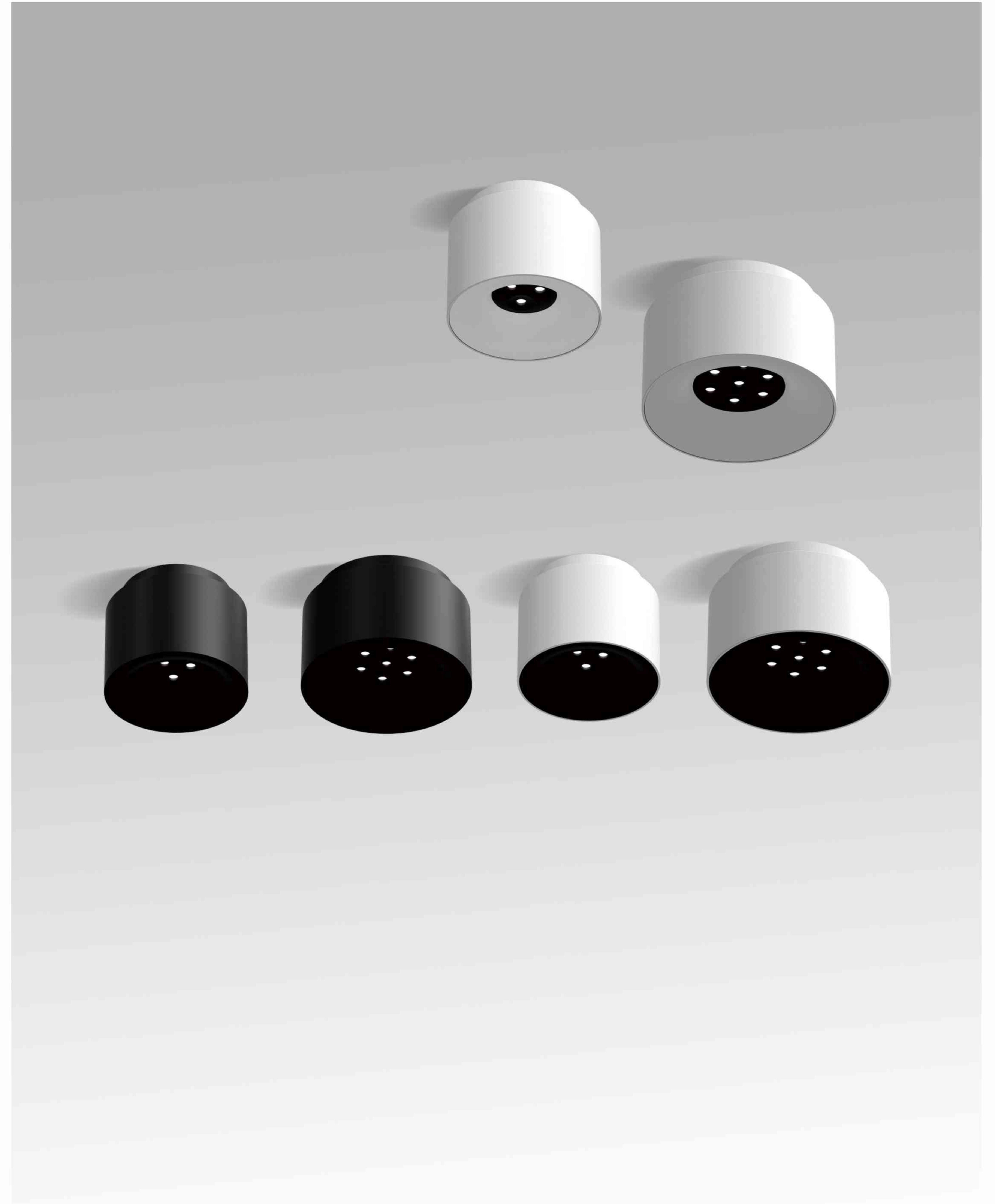
**Description:**  
Downlight

**Cutout:**  
Ø60

COLORS

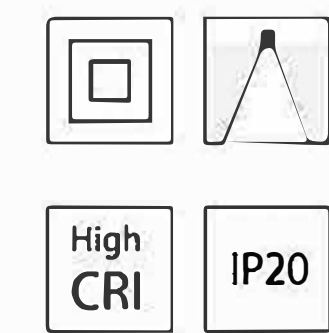
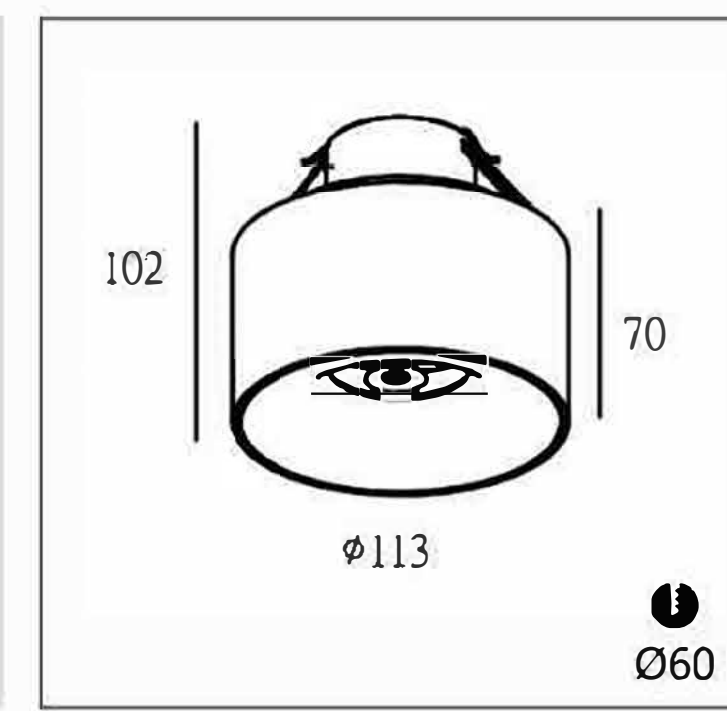








GPS-137



**Light Source:**  
SMD

**Luminous flux:**  
550 lm

**CRI:**  
Ra>90

**CCT:**  
2700K/3000K/4000K/5000K

**Material:**  
Aluminum

**Power:**  
3W+7W

**Output voltage:**  
30V+9V

**Output current:**  
100mA+700mA

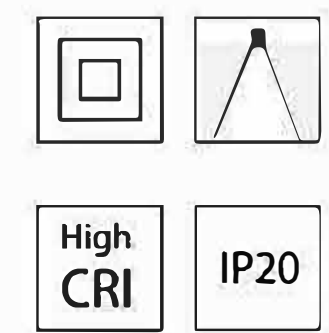
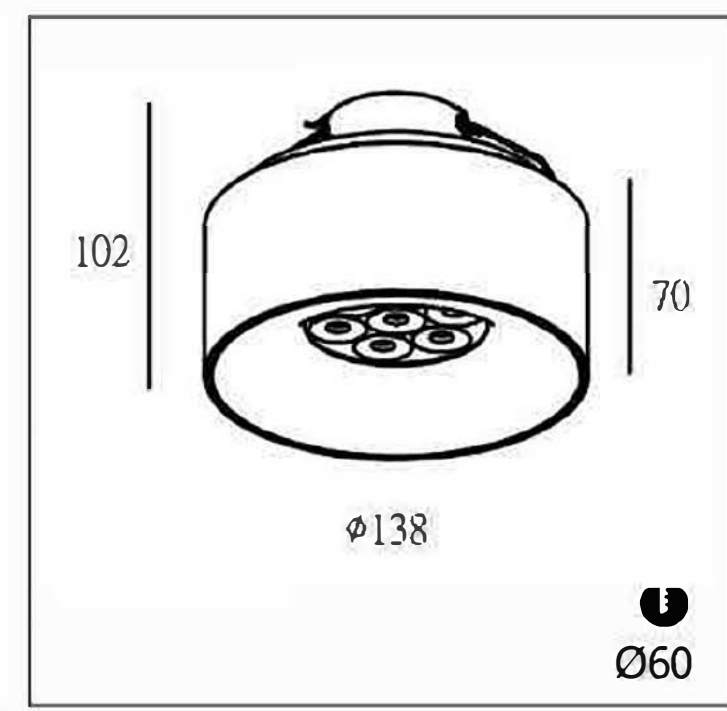
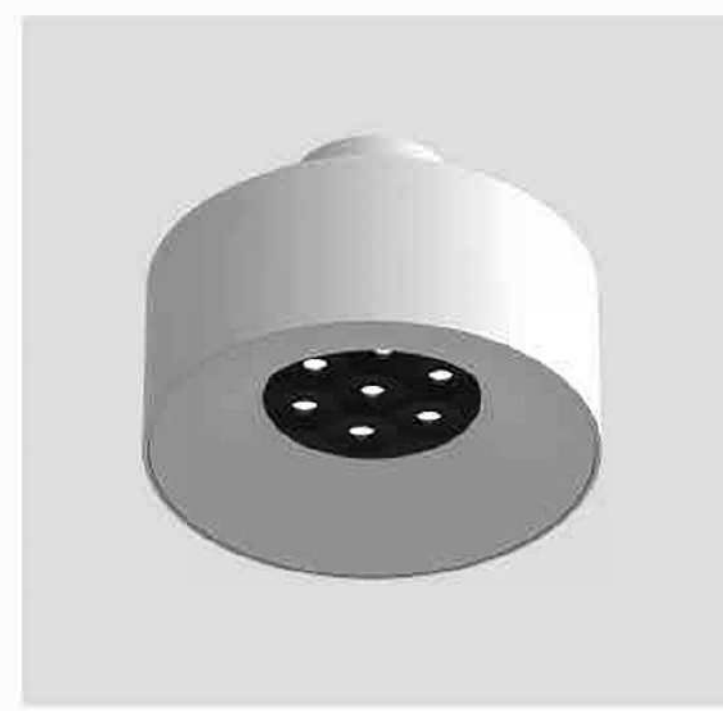
**OPTIC:**  
30°

**Mains voltage:**  
220-240V 50/60Hz

**Description:**  
Downlight

**Cutout:**  
Ø60

GPS-138



**Light Source:**  
SMD

**Luminous flux:**  
1200 lm

**CRI:**  
Ra>90

**CCT:**  
2700K/3000K/4000K/5000K

**Material:**  
Aluminum

**Power:**  
3W+15W

**Output voltage:**  
30V+21V

**Output current:**  
100mA+700mA

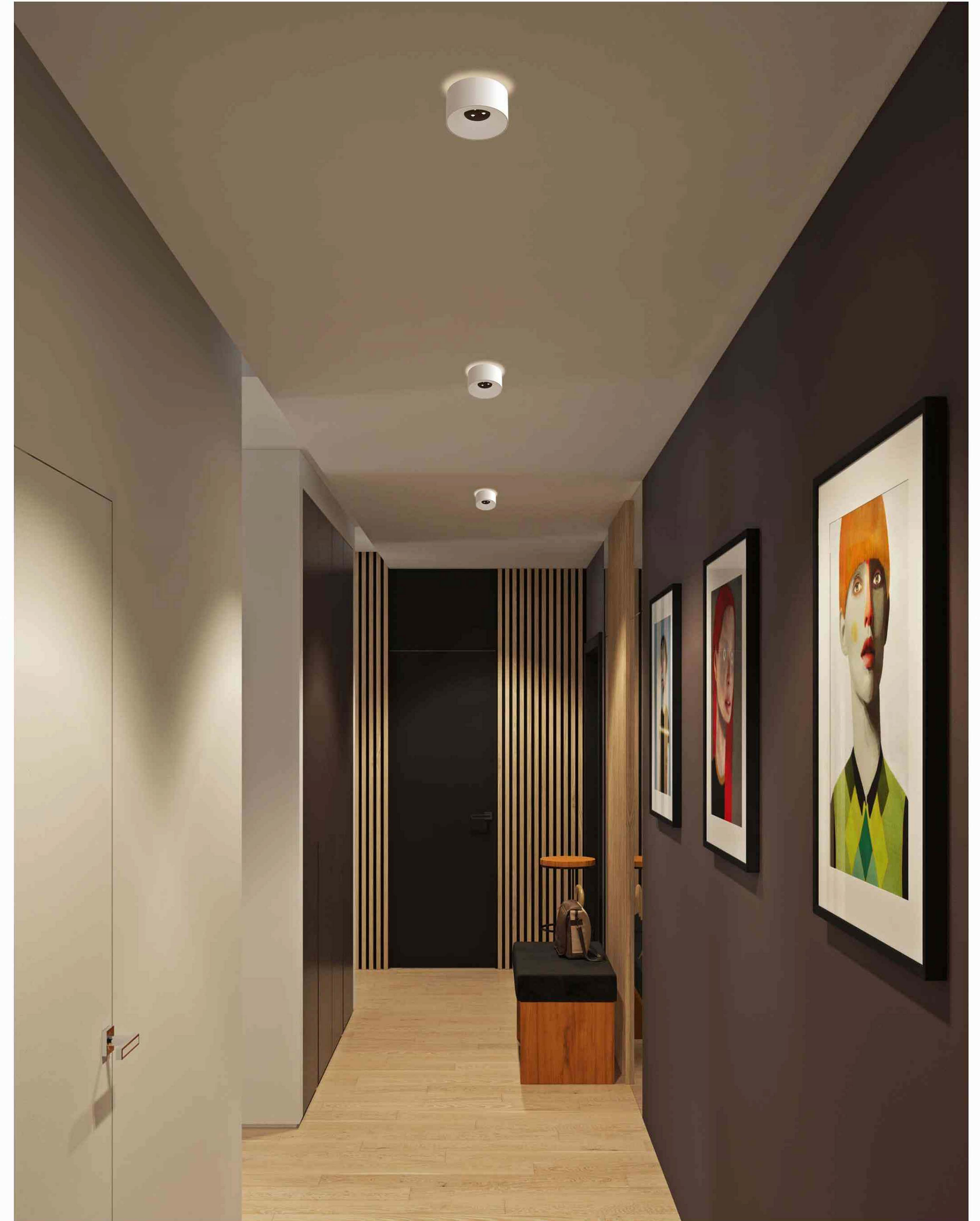
**OPTIC:**  
30°

**Mains voltage:**  
220-240V 50/60Hz

**Description:**  
Downlight

**Cutout:**  
Ø60

COLORS





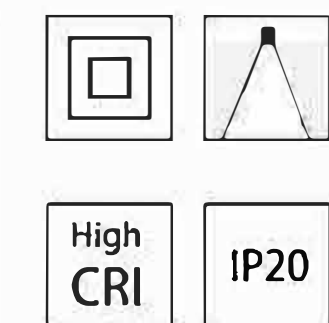
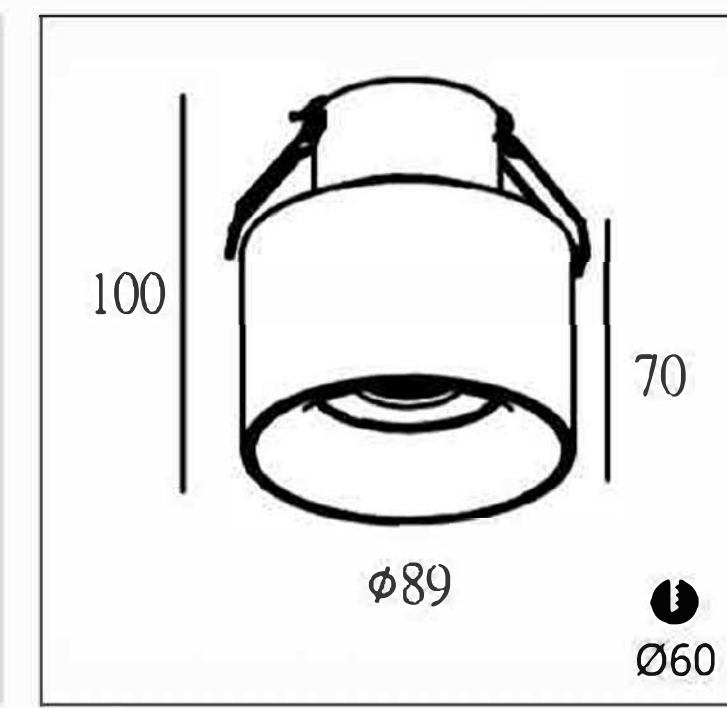


CEILING LIGHT series





GPS-139



**Light Source:**  
CREE COB

**Luminous flux:**  
500 lm

**CRI:**  
Ra>90

**CCT:**  
2700K/3000K/4000K/5000K

**Material:**  
Aluminum

**Power:**  
3W+7W

**Output voltage:**  
30V+36V

**Output current:**  
100mA+150mA

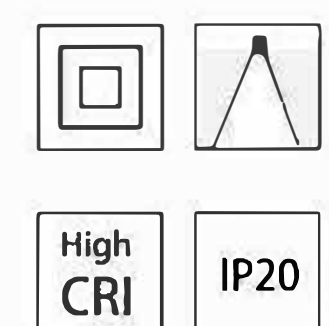
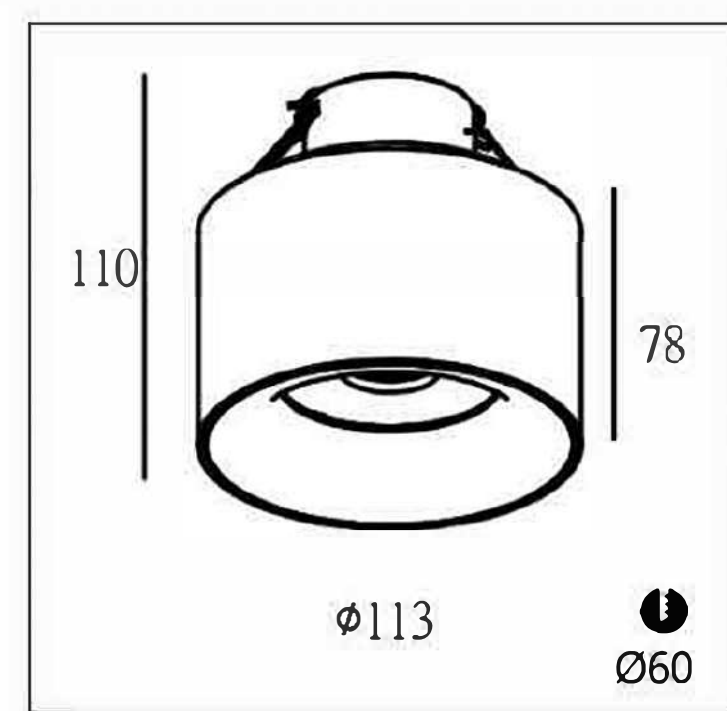
**OPTIC:**  
15° 24° 36°

**Mains voltage:**  
220-240V 50/60Hz

**Description:**  
Downlight

**Cutout:**  
Ø60

GPS-140



**Light Source:**  
CREE COB

**Luminous flux:**  
900 lm

**CRI:**  
Ra>90

**CCT:**  
2700K/3000K/4000K/5000K

**Material:**  
Aluminum

**Power:**  
3W+12W

**Output voltage:**  
30V+36V

**Output current:**  
100mA+300mA

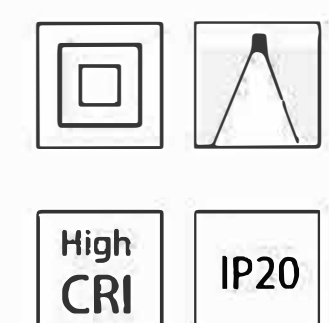
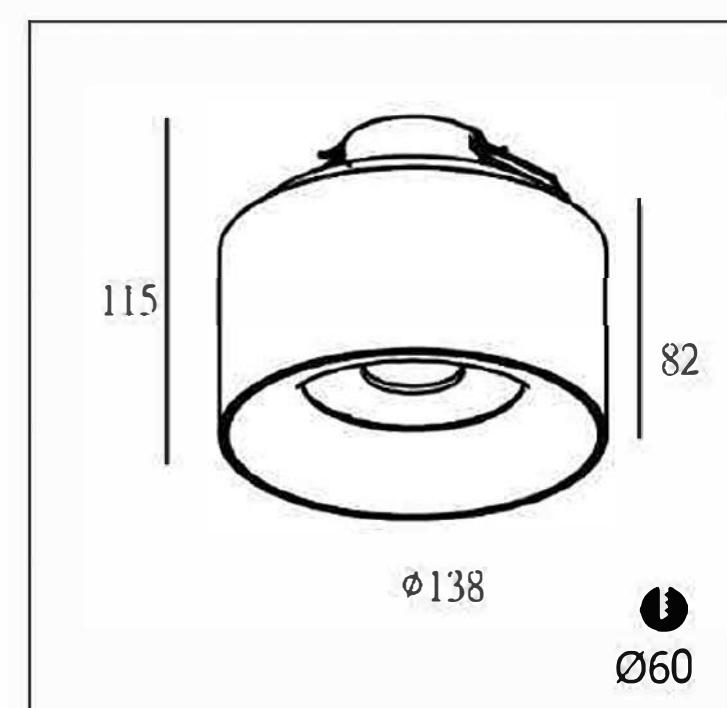
**OPTIC:**  
15° 24° 36°

**Mains voltage:**  
220-240V 50/60Hz

**Description:**  
Downlight

**Cutout:**  
Ø60

GPS-141



**Light Source:**  
CREE COB

**Luminous flux:**  
1800 lm

**CRI:**  
Ra>90

**CCT:**  
2700K/3000K/4000K/5000K

**Material:**  
Aluminum

**Power:**  
3W+20W

**Output voltage:**  
30V+36V

**Output current:**  
100mA+500mA

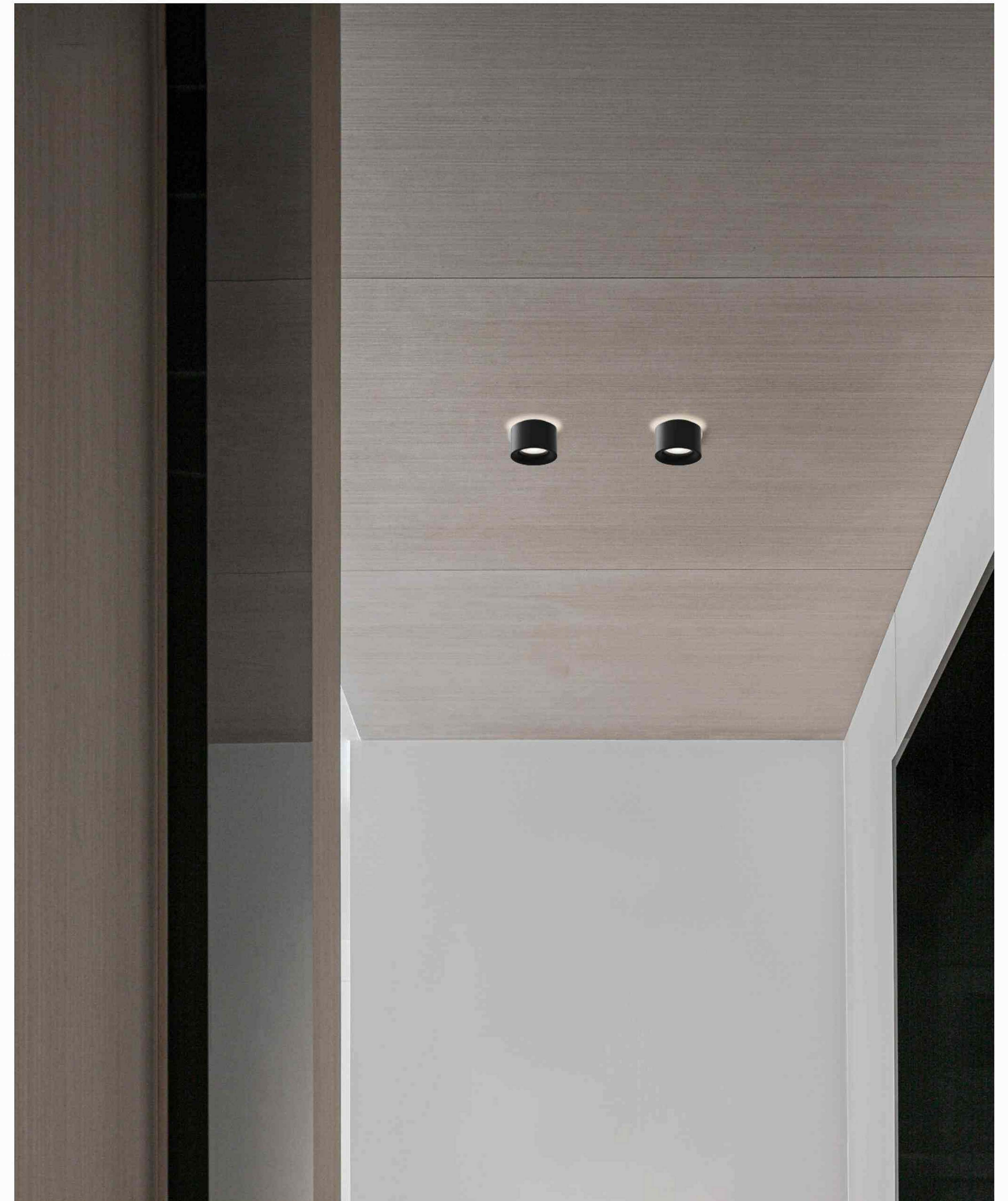
**OPTIC:**  
15° 24° 36°

**Mains voltage:**  
220-240V 50/60Hz

**Description:**  
Downlight

**Cutout:**  
Ø60

COLORS

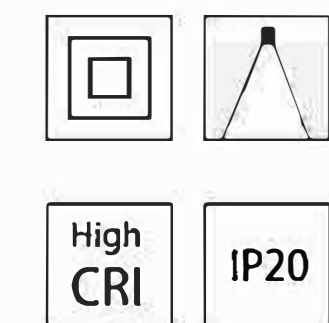
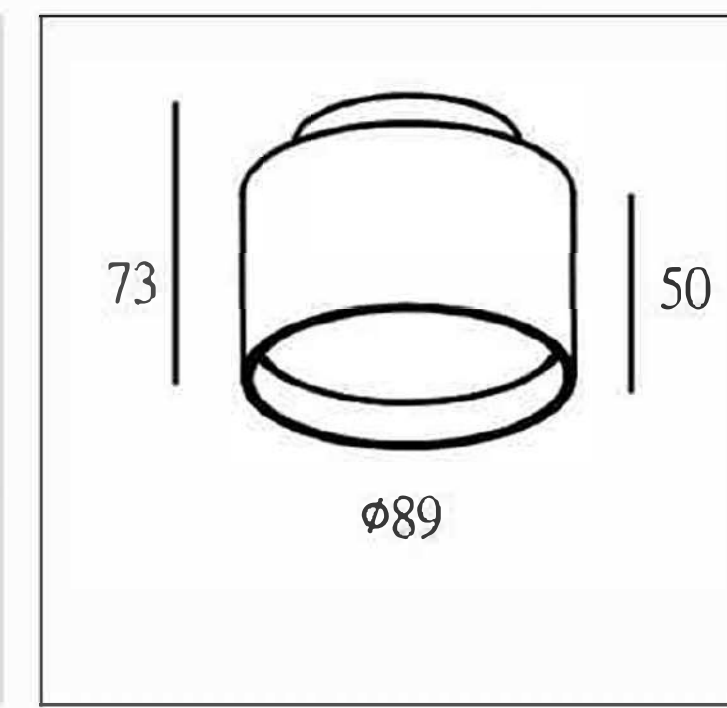








GPS-142



**Light Source:**  
SMD

**Luminous flux:**  
500 lm

**CRI:**  
Ra>80

**CCT:**  
2700K/3000K/4000K/5000K

**Material:**  
Aluminum

**Power:**  
2W+6W

**Output voltage:**  
36V

**Output current:**  
200mA

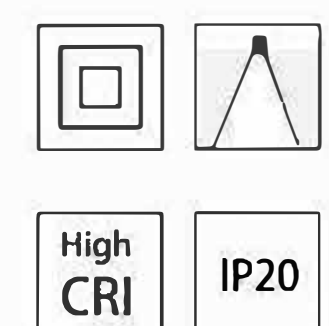
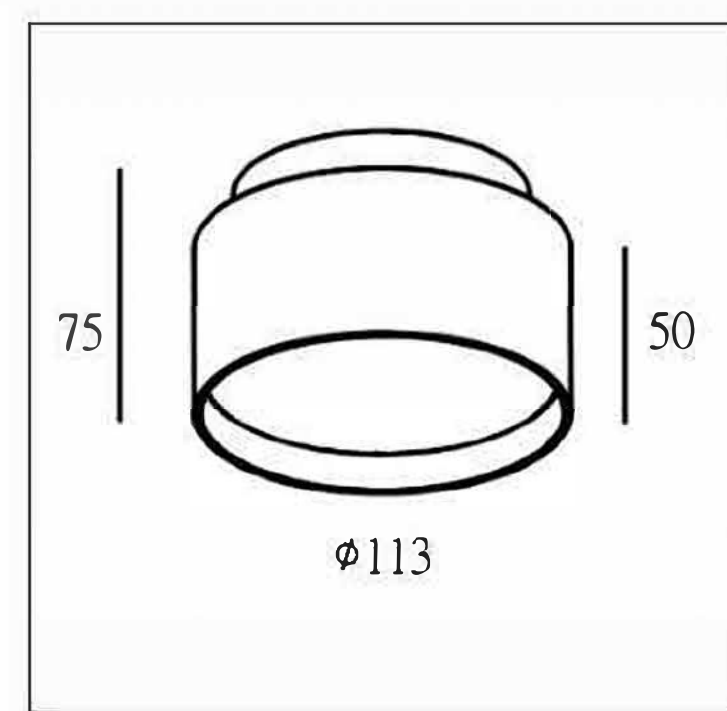
**OPTIC:**  
100°

**Mains voltage:**  
220-240V 50/60Hz

**Description:**  
General lighting

**Cutout:**  
/

GPS-143



**Light Source:**  
SMD

**Luminous flux:**  
900 lm

**CRI:**  
Ra>80

**CCT:**  
2700K/3000K/4000K/5000K

**Material:**  
Aluminum

**Power:**  
2W+10W

**Output voltage:**  
36V

**Output current:**  
200mA

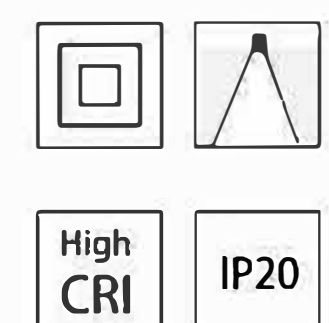
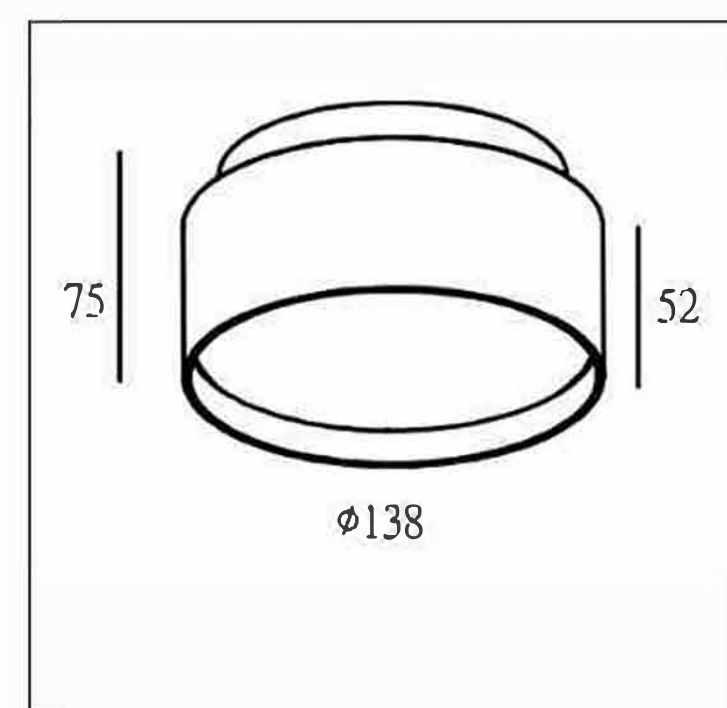
**OPTIC:**  
100°

**Mains voltage:**  
220-240V 50/60Hz

**Description:**  
General lighting

**Cutout:**  
/

GPS-144



**Light Source:**  
SMD

**Luminous flux:**  
1300 lm

**CRI:**  
Ra>90

**CCT:**  
2700K/3000K/4000K/5000K

**Material:**  
Aluminum

**Power:**  
2W+16W

**Output voltage:**  
36V

**Output current:**  
500mA

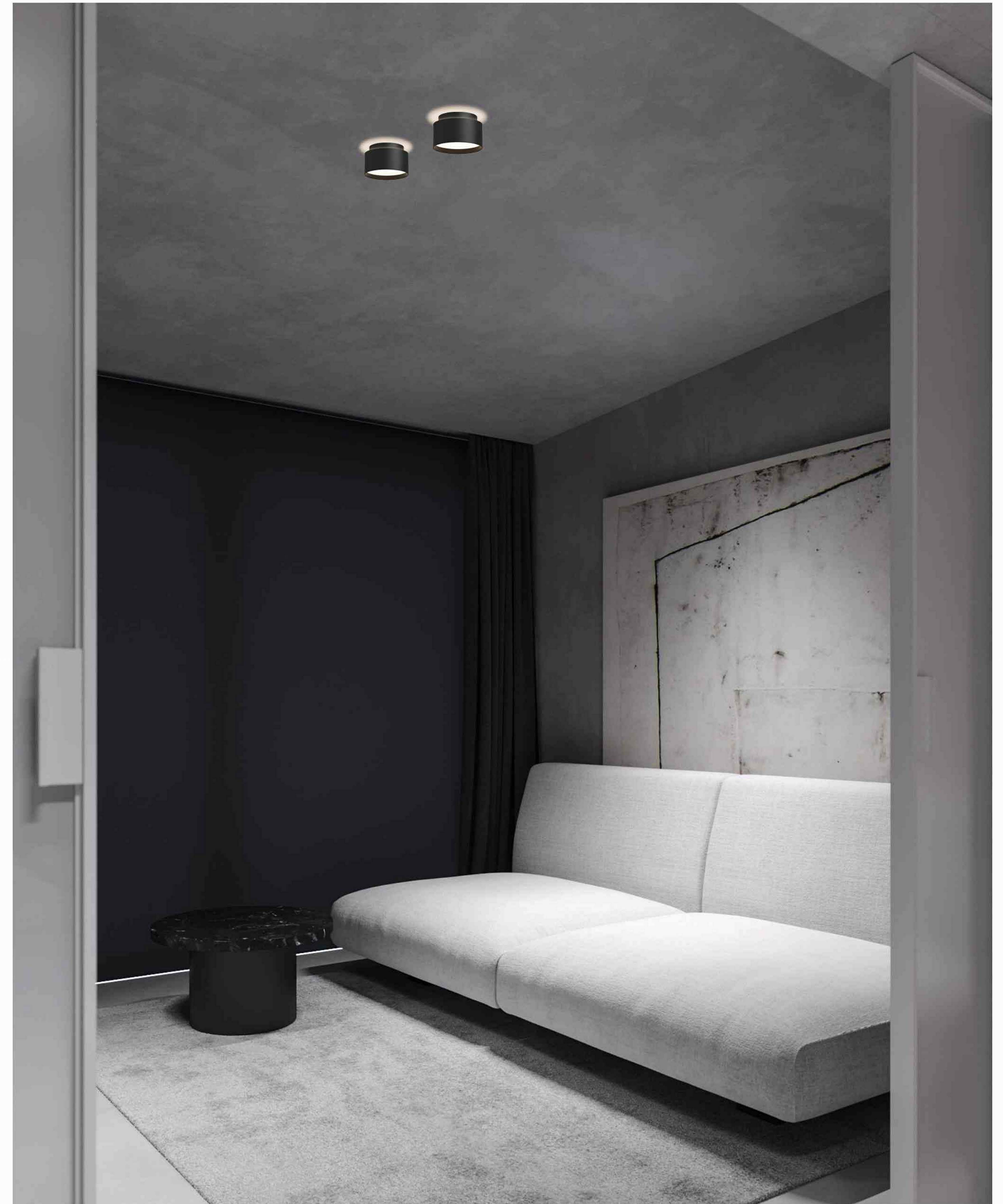
**OPTIC:**  
100°

**Mains voltage:**  
220-240V 50/60Hz

**Description:**  
General lighting

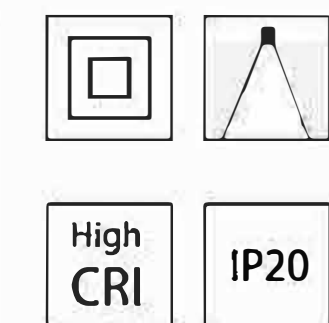
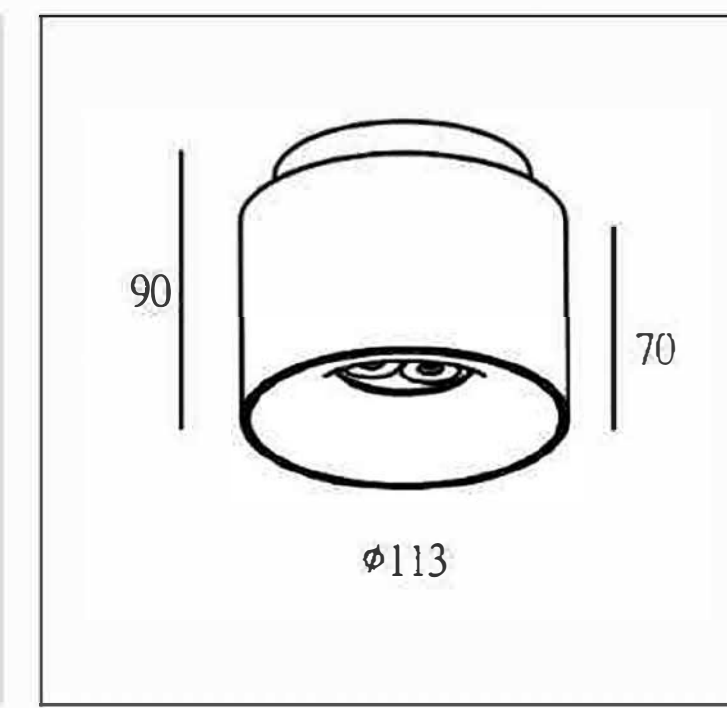
**Cutout:**  
/

COLORS





GPS-145



Light Source:  
SMD

Luminous flux:  
550 lm

CRI:  
Ra>90

CCT:  
2700K/3000K/4000K/5000K

Material:  
Aluminum

Power:  
3W+7W

Output voltage:  
30V+9V

Output current:  
100mA+700mA

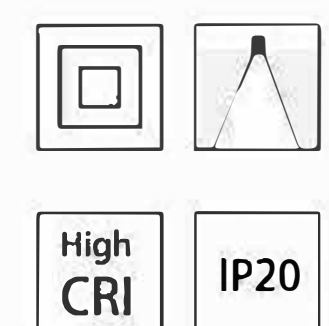
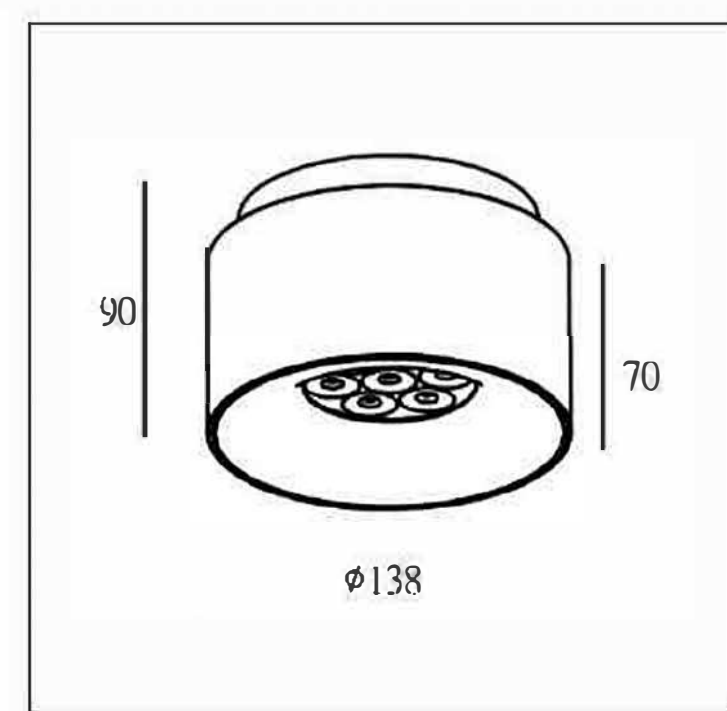
OPTIC:  
30°

Mains voltage:  
220-240V 50/60Hz

Description:  
General lighting

Cutout:  
/

GPS-146



Light Source:  
SMD

Luminous flux:  
1200 lm

CRI:  
Ra>90

CCT:  
2700K/3000K/4000K/5000K

Material:  
Aluminum

Power:  
3W+15W

Output voltage:  
30V+21V

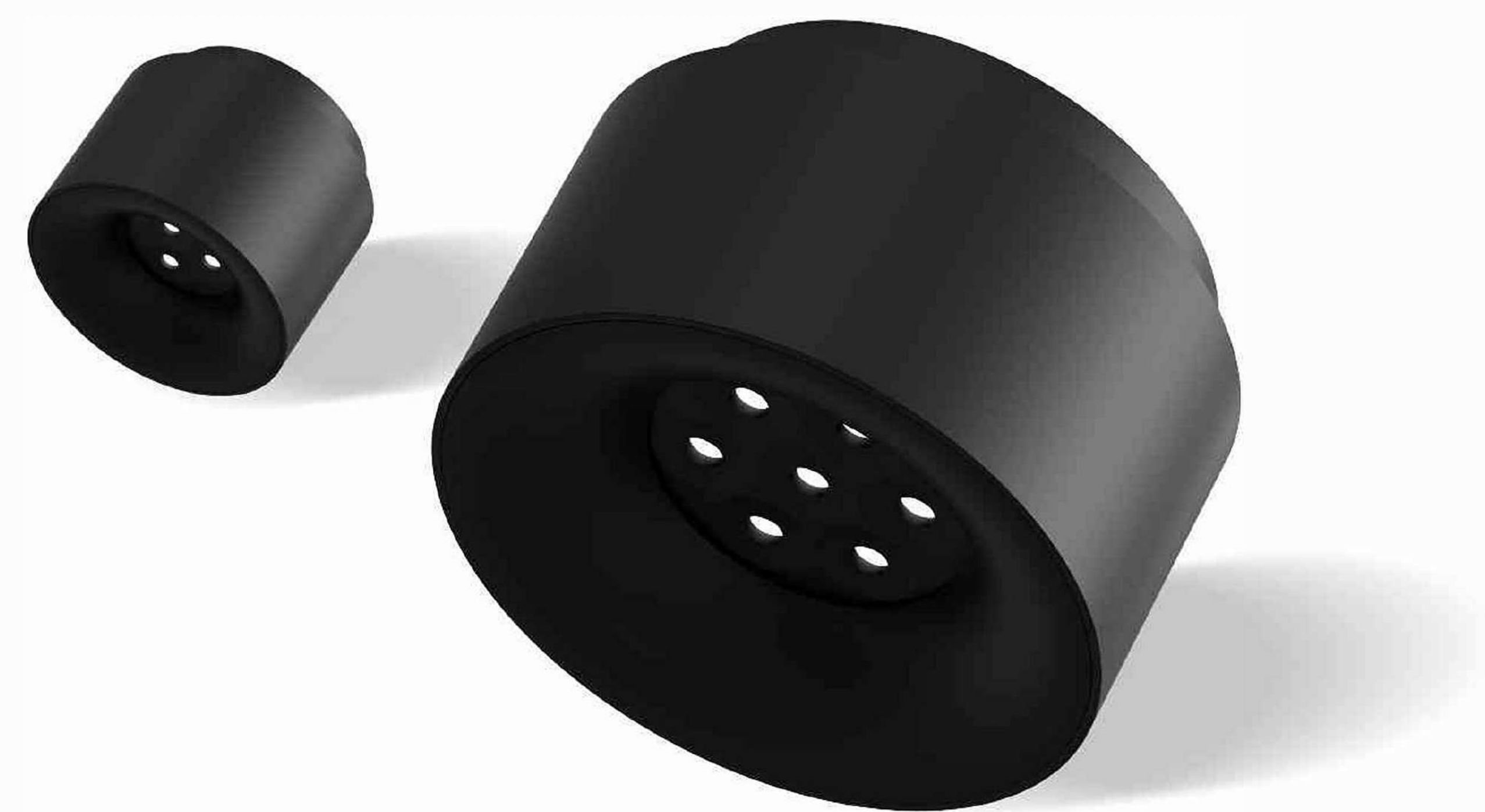
Output current:  
100mA+700mA

OPTIC:  
30°

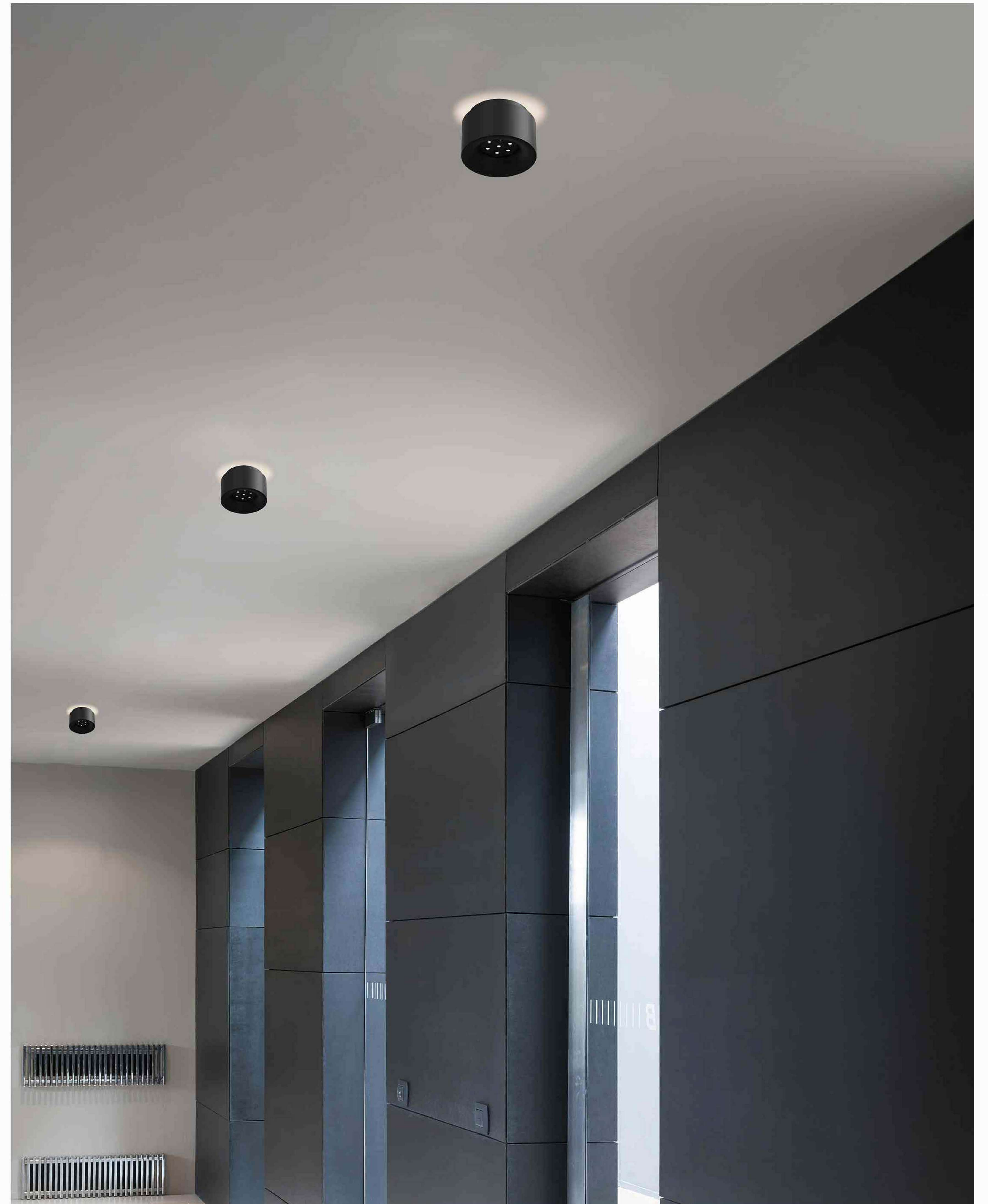
Mains voltage:  
220-240V 50/60Hz

Description:  
General lighting

Cutout:  
/



COLORS

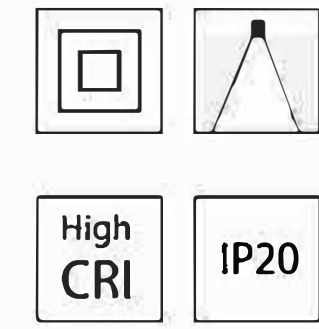
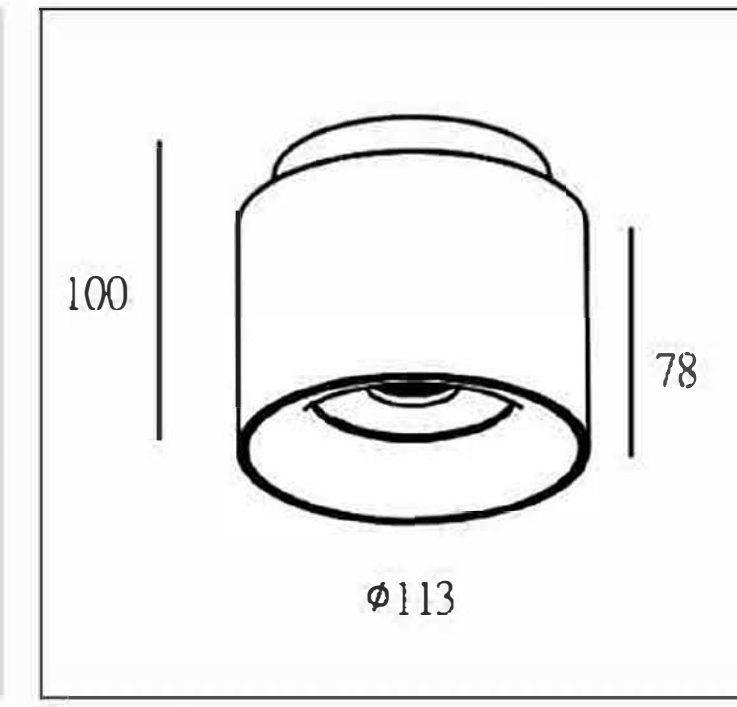








GPS-147



**Light Source:**  
CREE COB

**Luminous flux:**  
900 lm

**CRI:**  
Ra>90

**CCT:**  
2700K/3000K/4000K/5000K

**Material:**  
Aluminum

**Power:**  
3W+7W

**Output voltage:**  
30V+36V

**Output current:**  
100mA+300mA

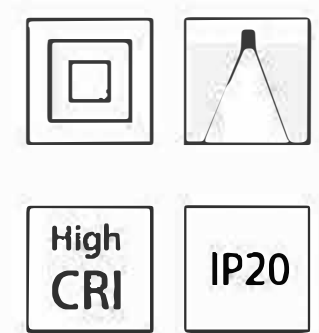
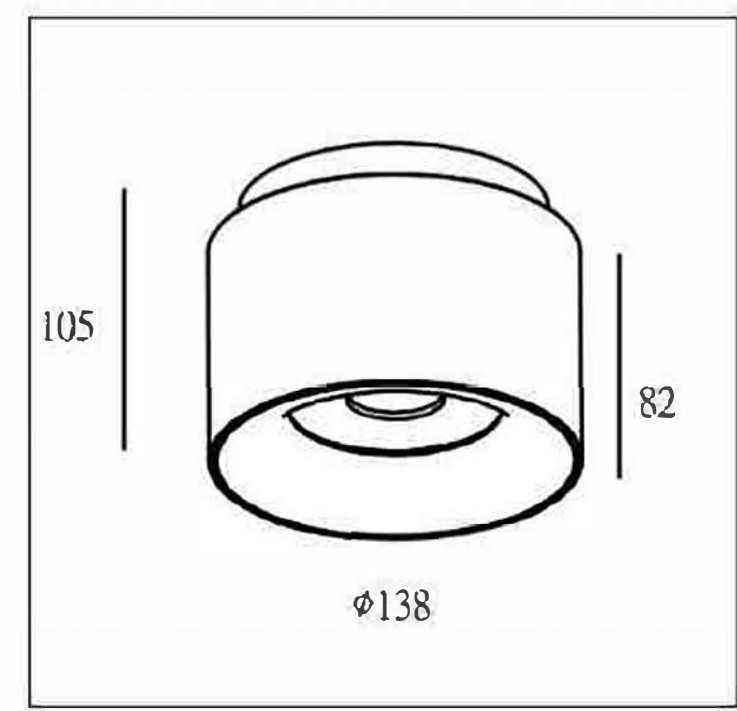
**OPTIC:**  
15°、24°、36°

**Mains voltage:**  
220-240V 50/60Hz

**Description:**  
General lighting

**Cutout:**  
/

GPS-148



**Light Source:**  
CREE COB

**Luminous flux:**  
1300 lm

**CRI:**  
Ra>90

**CCT:**  
2700K/3000K/4000K/5000K

**Material:**  
Aluminum

**Power:**  
3W+20W

**Output voltage:**  
30V+36V

**Output current:**  
100mA+300mA

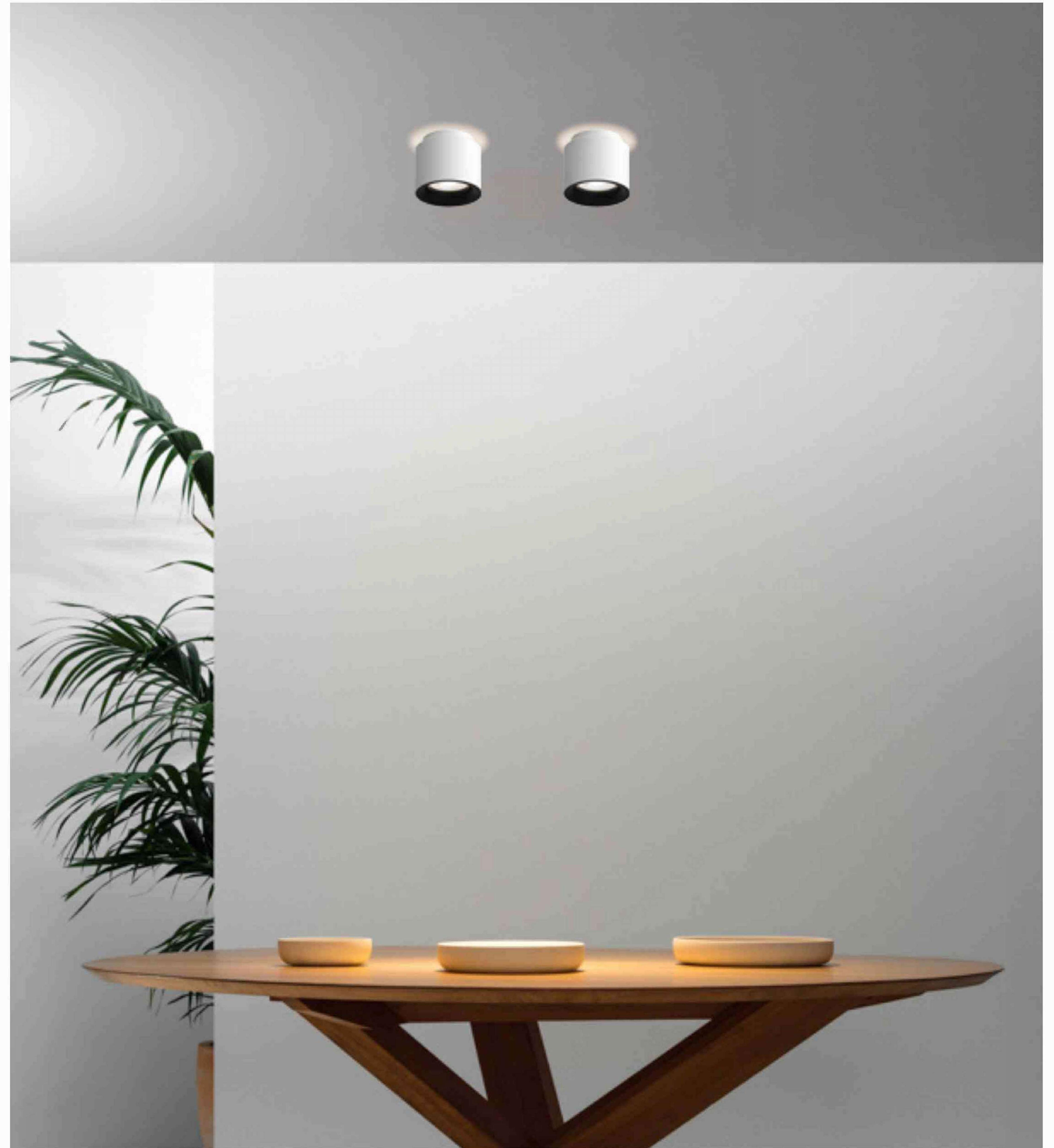
**OPTIC:**  
15°、24°、36°

**Mains voltage:**  
220-240V 50/60Hz

**Description:**  
General lighting

**Cutout:**  
/

COLORS








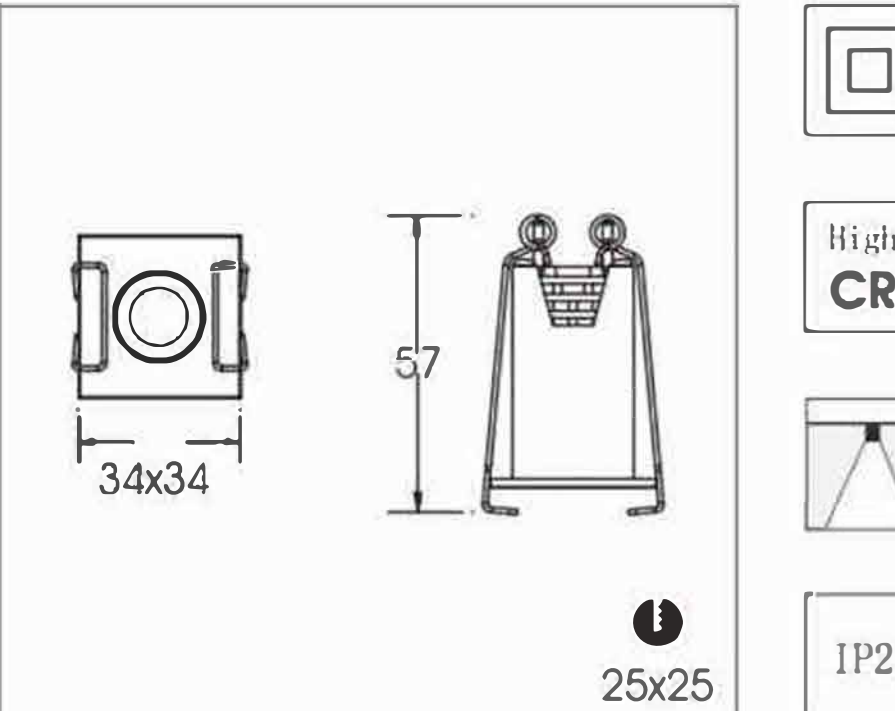
## RECESSED CEILING LIGHT series

- Modern fashion design.
- Framed, framless, recessed stretched and surface mounted design, satisfied with the lighting needs of different area.
- Combine optics and practicality to create personalized lighting solutions.



# RECESSED CEILING LIGHT series

## GPS-149

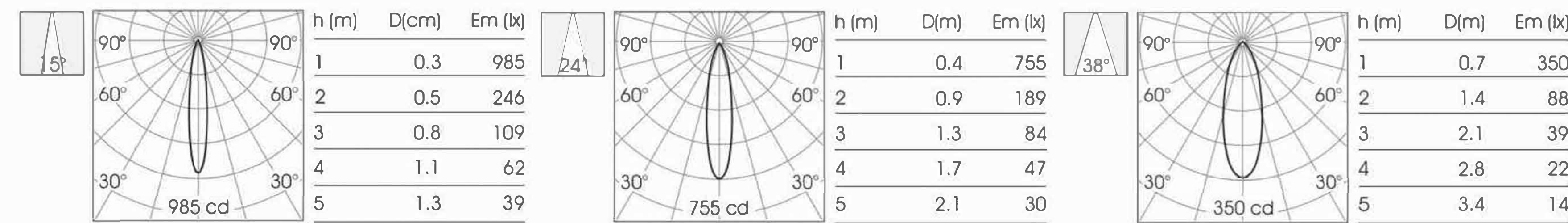



Light Source: SMD  
Material: Aluminum  
OPTIC: 15°/24°/38°

Luminous flux: 130 lm  
Power: 2W  
Mains voltage: 220-240V

CRI: CRI>90  
Output voltage: 3V  
Description: Downlight

CCT: 2700K/3000K/4000K/5000K  
Output current: 500mA  
Cutout: 25X25



## GPS-152

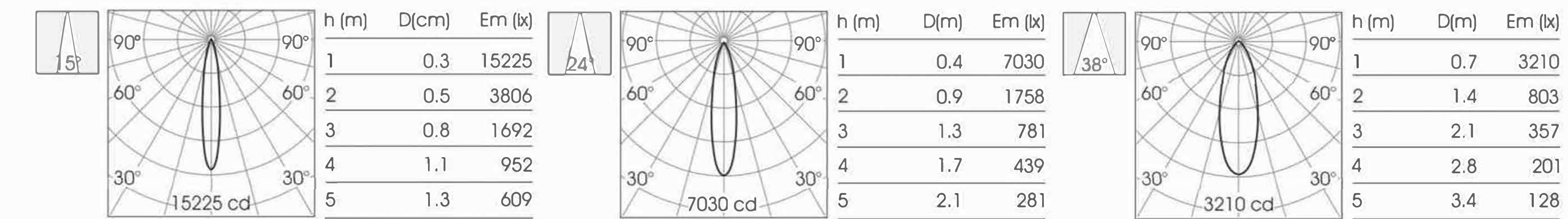



Light Source: SMD  
Material: Aluminum  
OPTIC: 15°/24°/38°


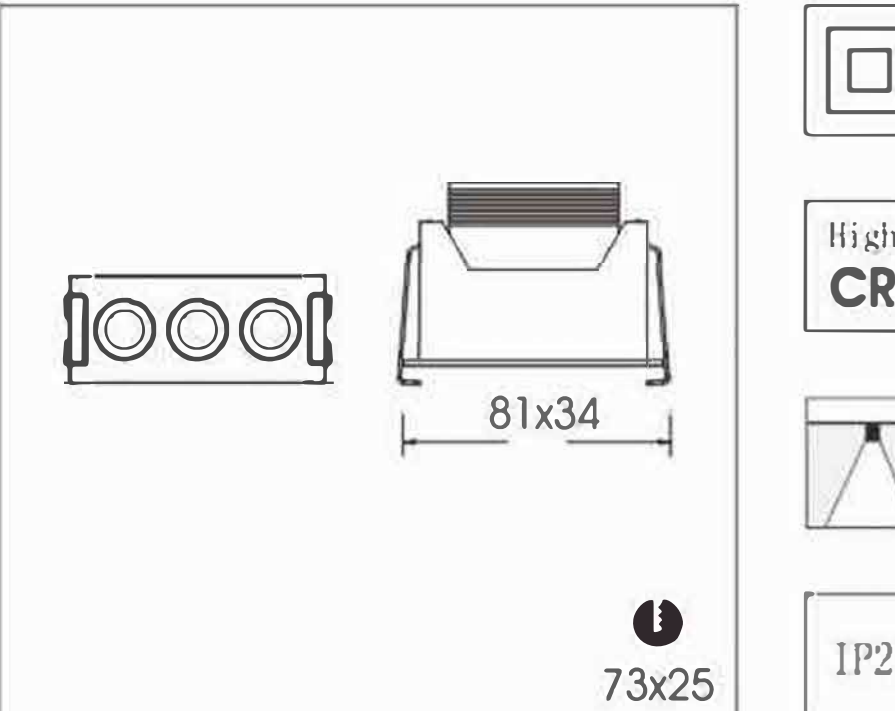
Luminous flux: 1300 lm  
Power: 20W  
Mains voltage: 220-240V

CRI: CRI>90  
Output voltage: 30V  
Description: Downlight

CCT: 2700K/3000K/4000K/5000K  
Output current: 600mA  
Cutout: 234X25



## GPS-150

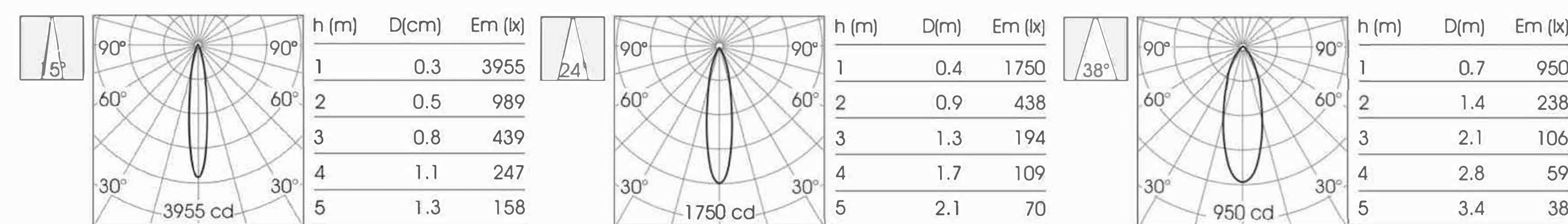



Light Source: SMD  
Material: Aluminum  
OPTIC: 15°/24°/38°


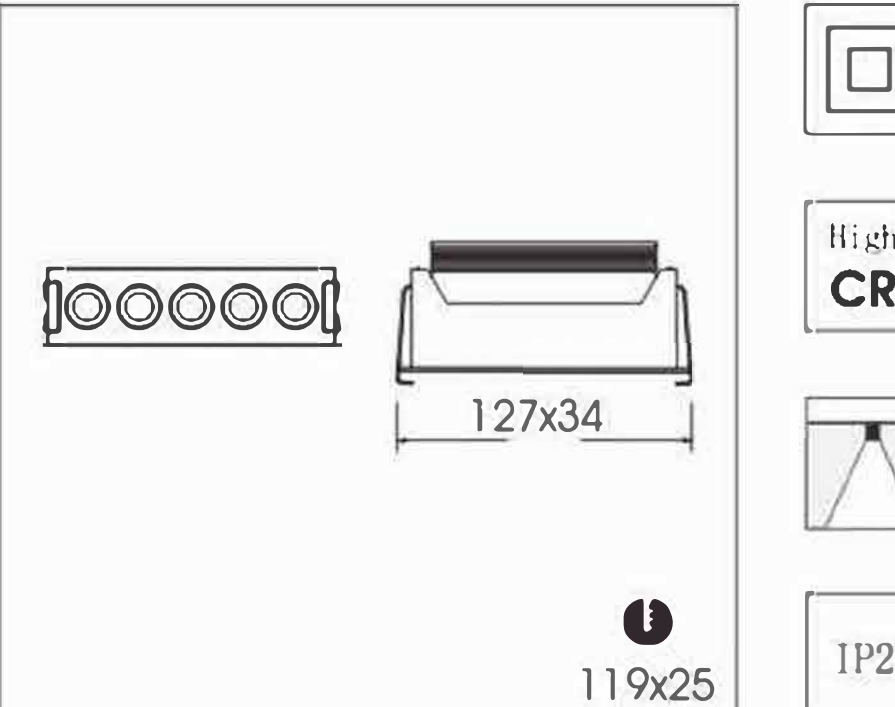
Luminous flux: 390 lm  
Power: 6W  
Mains voltage: 220-240V

CRI: CRI>90  
Output voltage: 9V  
Description: Downlight

CCT: 2700K/3000K/4000K/5000K  
Output current: 500mA  
Cutout: 73X25



## GPS-151

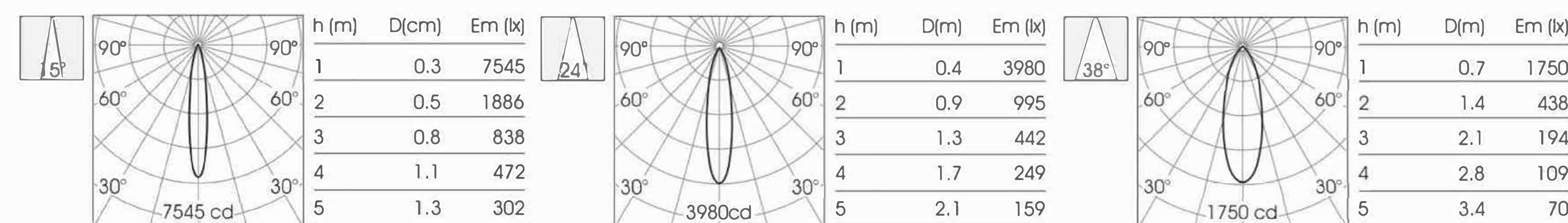



Light Source: SMD  
Material: Aluminum  
OPTIC: 15°/24°/38°

Luminous flux: 650 lm  
Power: 10W  
Mains voltage: 220-240V

CRI: CRI>90  
Output voltage: 15V  
Description: Downlight


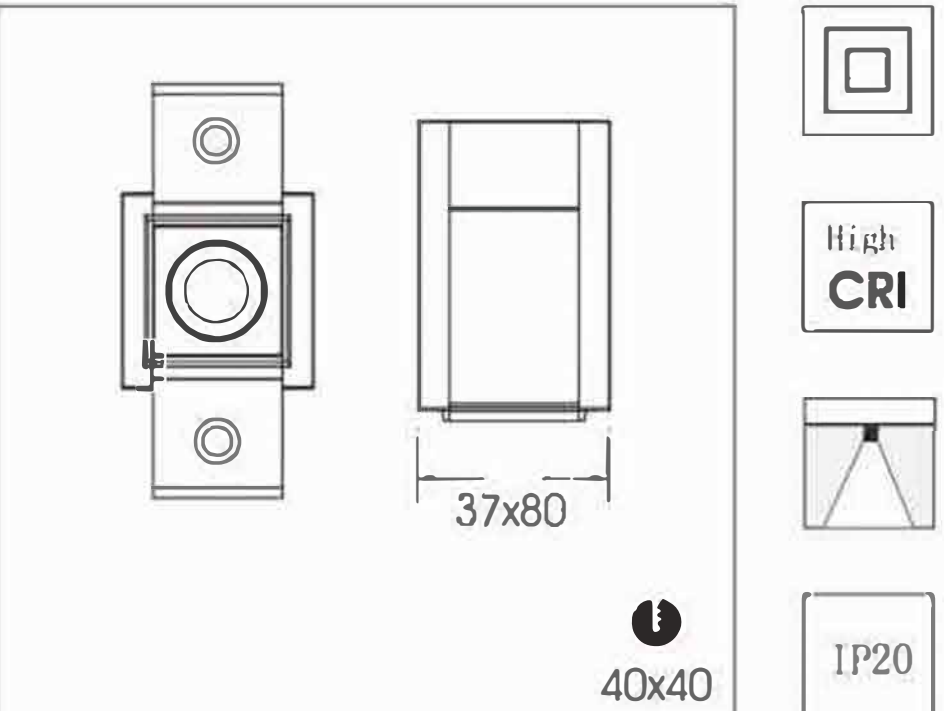
CCT: 2700K/3000K/4000K/5000K  
Output current: 600mA  
Cutout: 119X25





# RECESSED CEILING LIGHT series

## GPS-153

Light Source: SMD

Material: Aluminum

OPTIC: 15°/24°/38°

Luminous flux: 130 lm

Power: 2W

Mains voltage: 220-240V

CRI: CRI>90

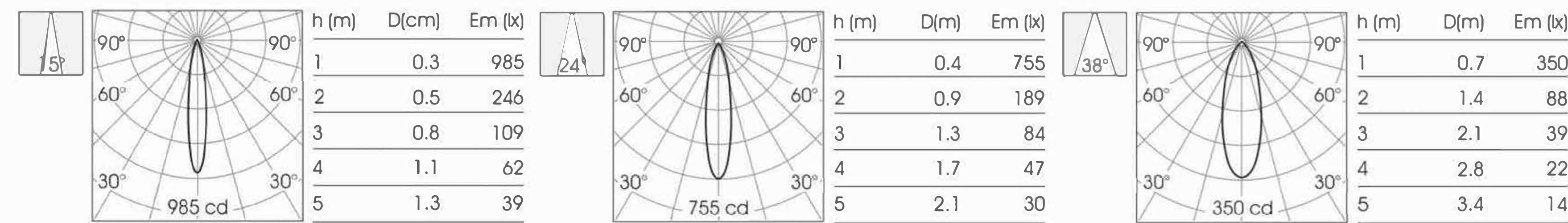
Output voltage: 3V

Description: Downlight

CCT: 2700K/3000K/4000K/5000K

Output current: 500mA

Cutout: 40X40



## GPS-156




Light Source: SMD

Material: Aluminum

OPTIC: 15°/24°/38°

Luminous flux: 1300 lm

Power: 20W

Mains voltage: 220-240V

CRI: CRI>90

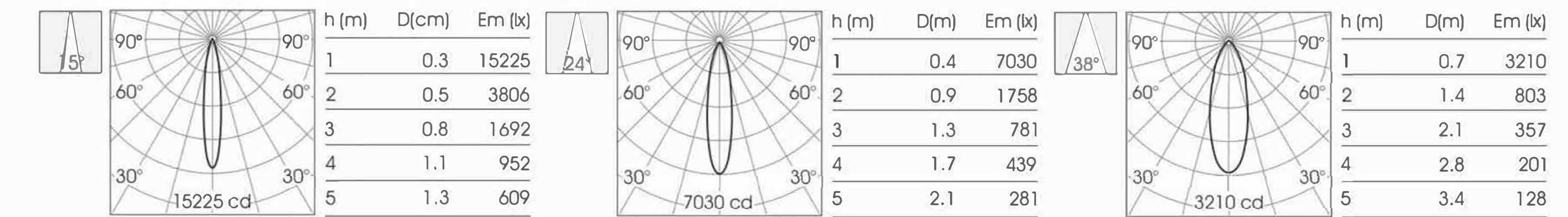
Output voltage: 30V

Description: Downlight


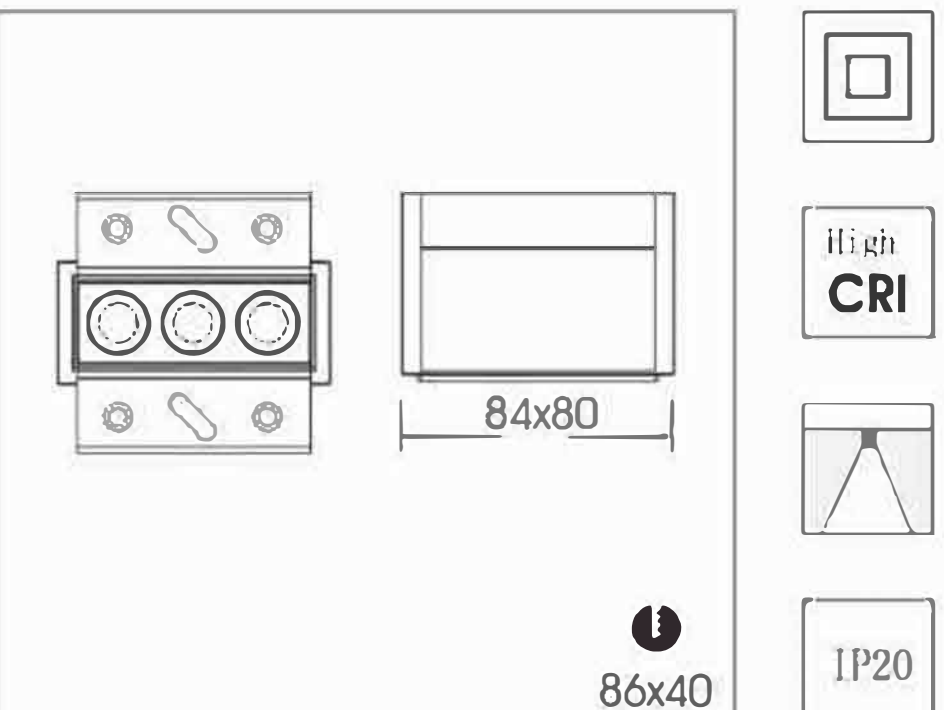
CCT: 2700K/3000K/4000K/5000K

Output current: 600mA

Cutout: 247X40



## GPS-154

Light Source: SMD

Material: Aluminum

OPTIC: 15°/24°/38°

Luminous flux: 390 lm

Power: 6W

Mains voltage: 220-240V

CRI: CRI>90

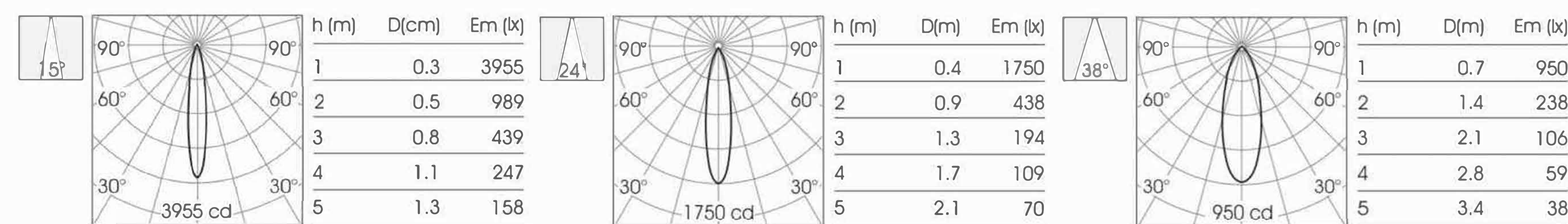
Output voltage: 9V

Description: Downlight


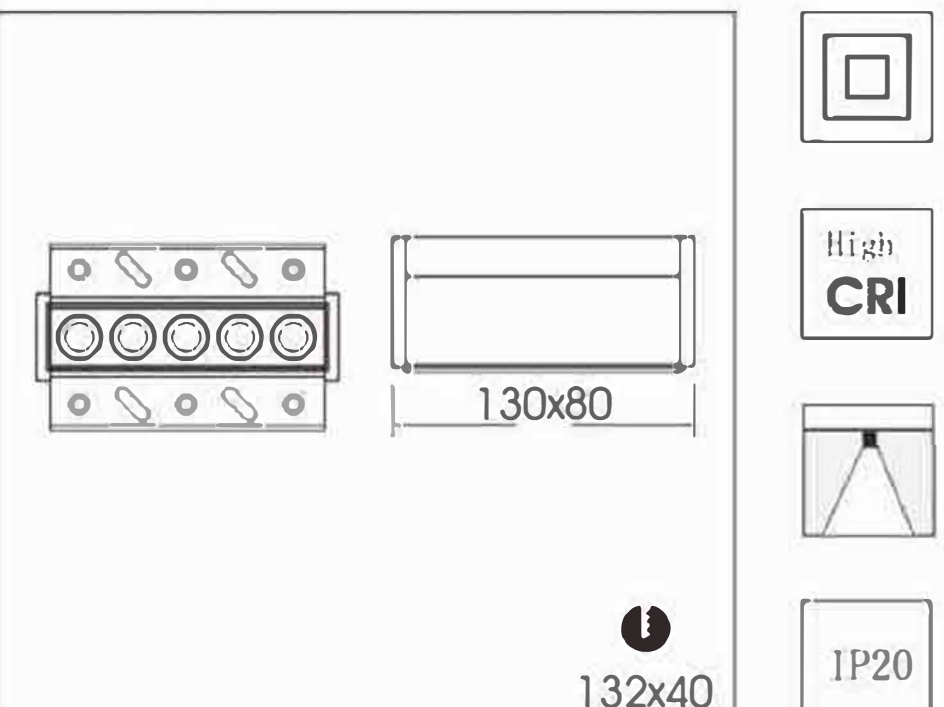
CCT: 2700K/3000K/4000K/5000K

Output current: 500mA

Cutout: 86X40



## GPS-155

Light Source: SMD

Material: Aluminum

OPTIC: 15°/24°/38°

Luminous flux: 650 lm

Power: 10W

Mains voltage: 220-240V

CRI: CRI>90

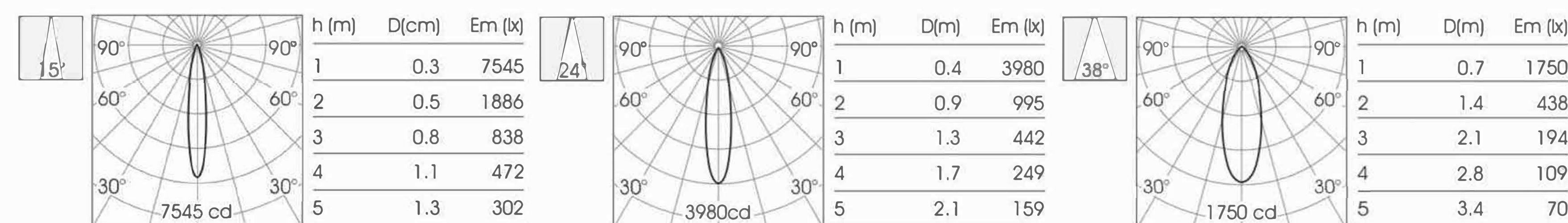
Output voltage: 15V

Description: Downlight

CCT: 2700K/3000K/4000K/5000K

Output current: 600mA

Cutout: 132x40

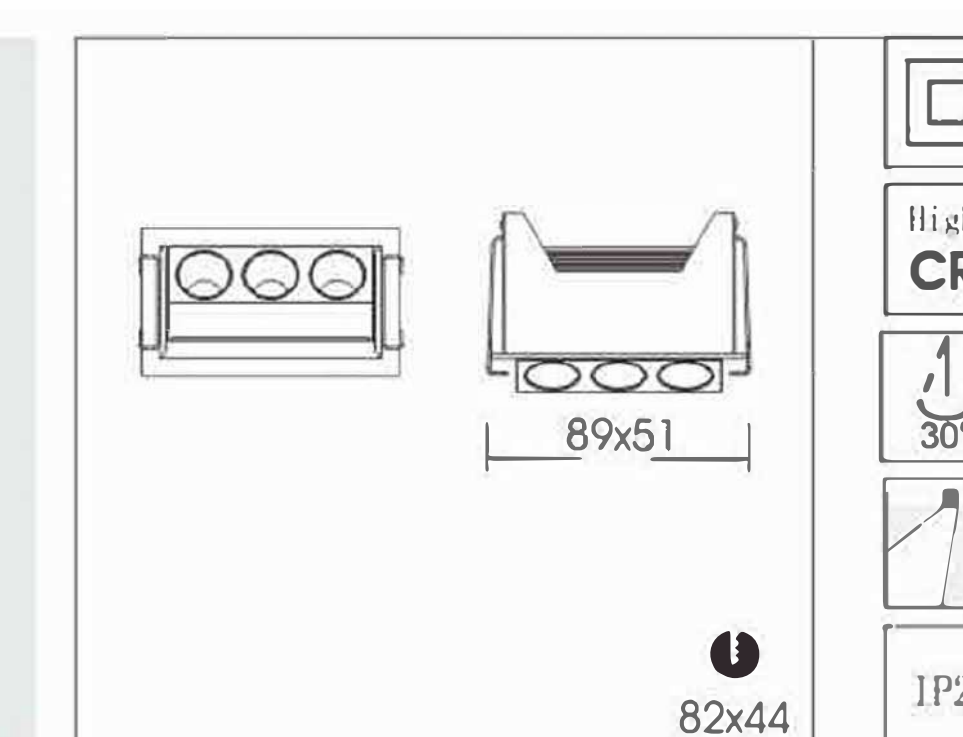




## RECESSED CEILING LIGHT series



### GPS-157



Light Source:  
SMD

Luminous flux:  
390 lm

CRI:  
CRI > 90

CCT:  
2700K/3000K/4000K/5000K

Material:  
Aluminum

Power:  
6W

Output voltage:  
9V

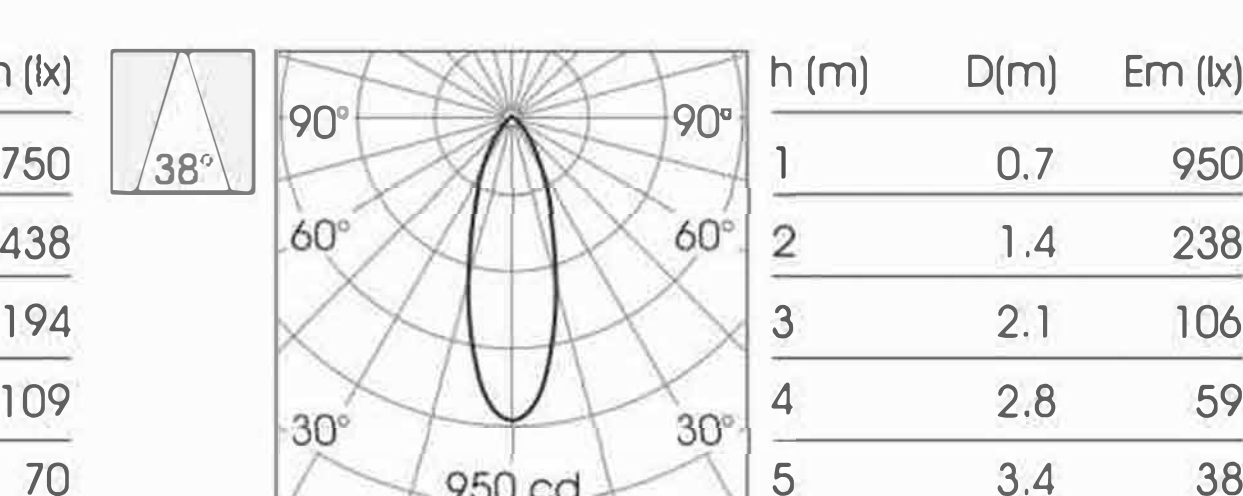
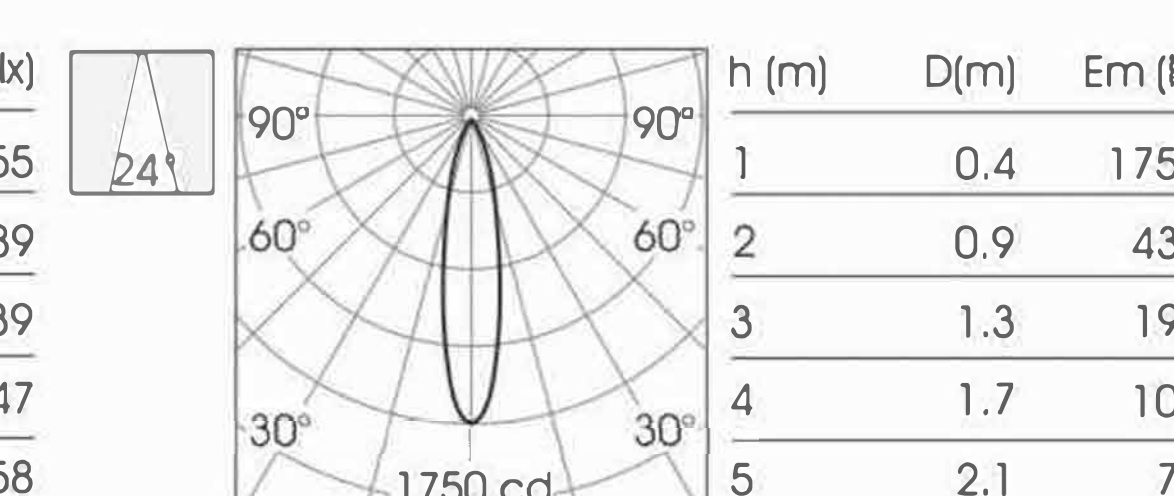
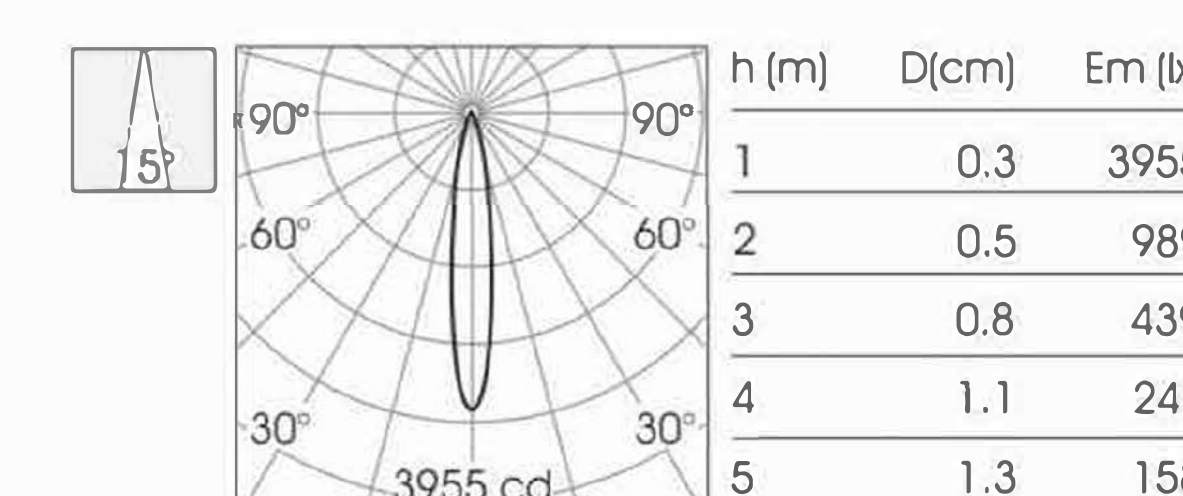
Output current:  
500mA

OPTIC:  
15°/24°/38°

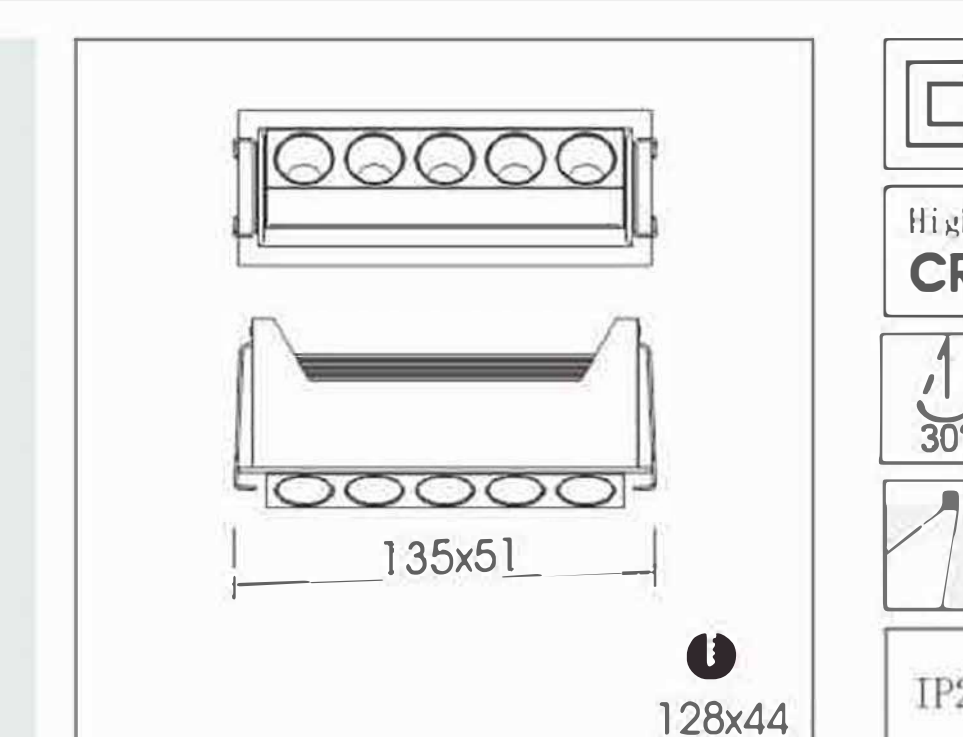
Mains voltage:  
220-240V

Description:  
ADJUSTABLE

Cutout:  
82X44



### GPS-158



Light Source:  
SMD

Luminous flux:  
650 lm

CRI:  
CRI > 90

CCT:  
2700K/3000K/4000K/5000K

Material:  
Aluminum

Power:  
10W

Output voltage:  
15V

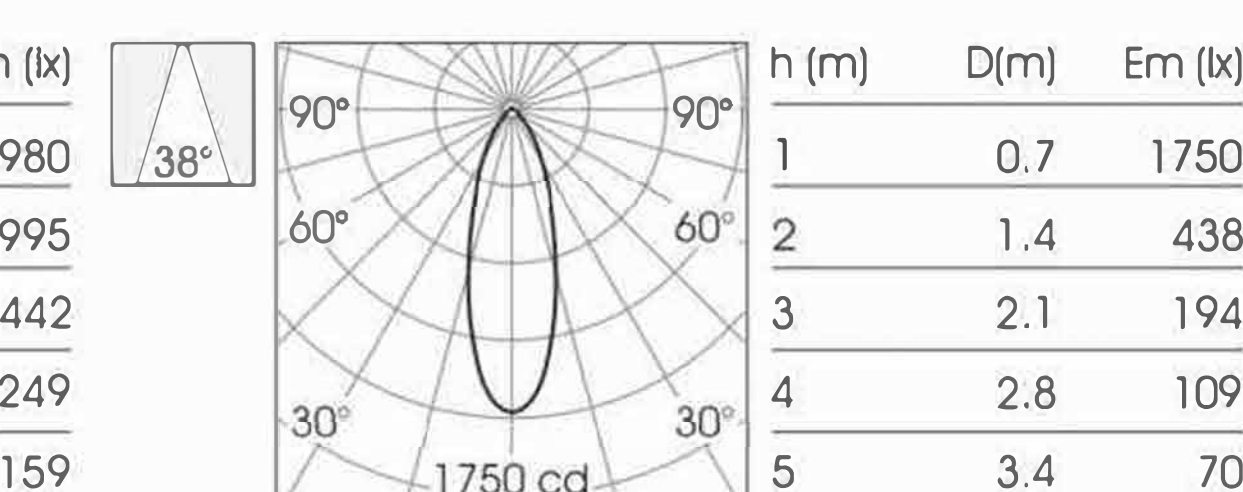
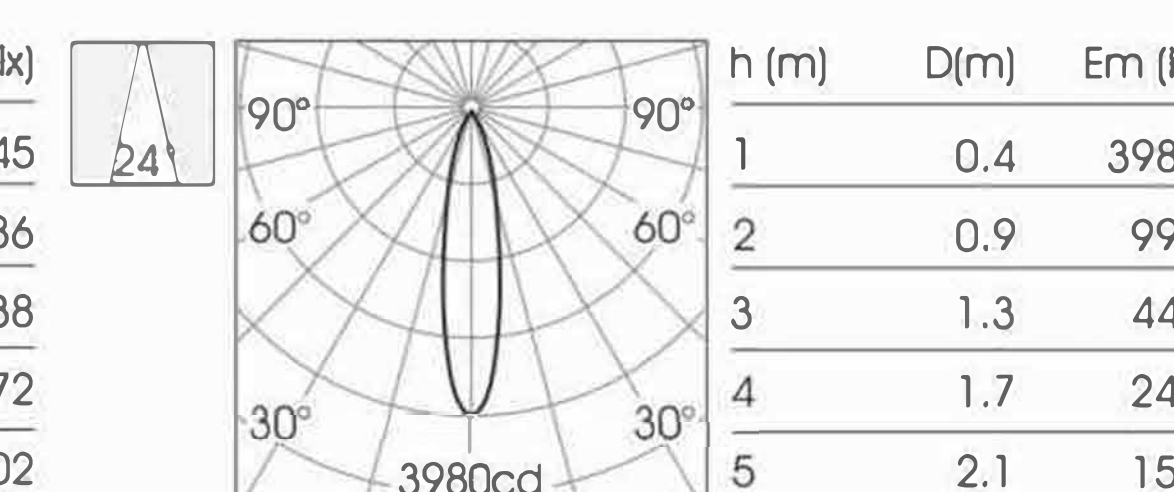
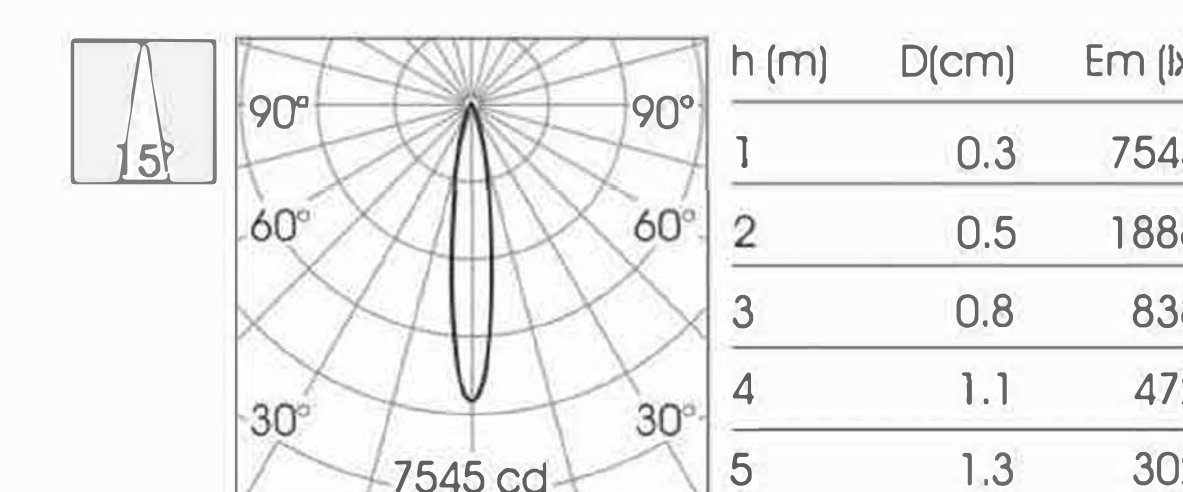
Output current:  
600mA

OPTIC:  
15°/24°/38°

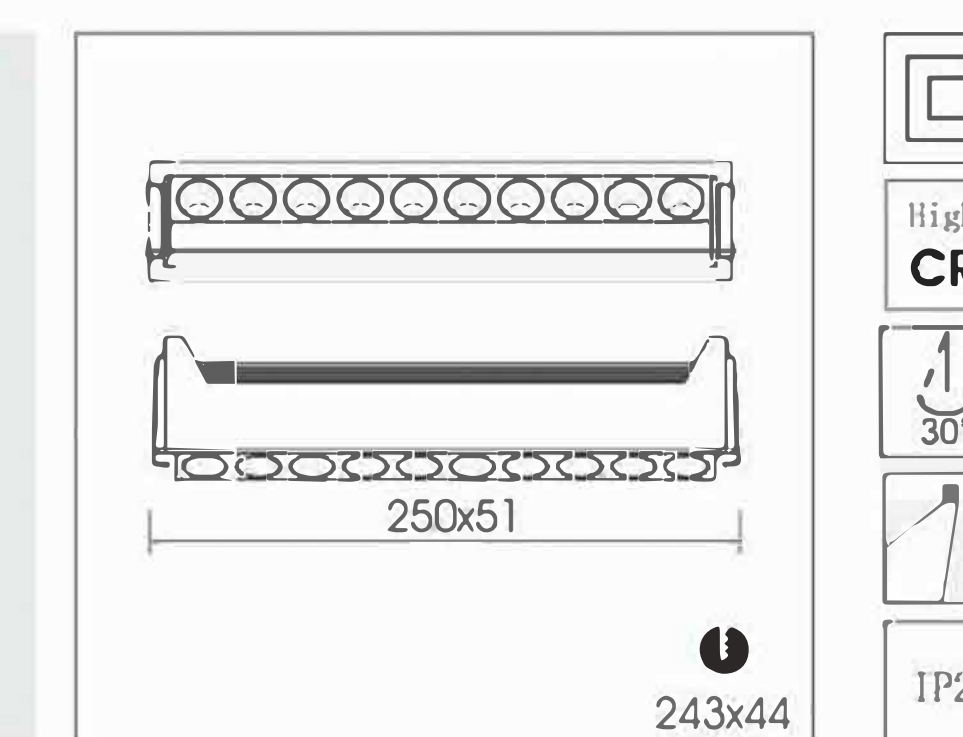
Mains voltage:  
220-240V

Description:  
ADJUSTABLE

Cutout:  
128X44



### GPS-159



Light Source:  
SMD

Luminous flux:  
1300 lm

CRI:  
CRI > 90

CCT:  
2700K/3000K/4000K/5000K

Material:  
Aluminum

Power:  
20W

Output voltage:  
30V

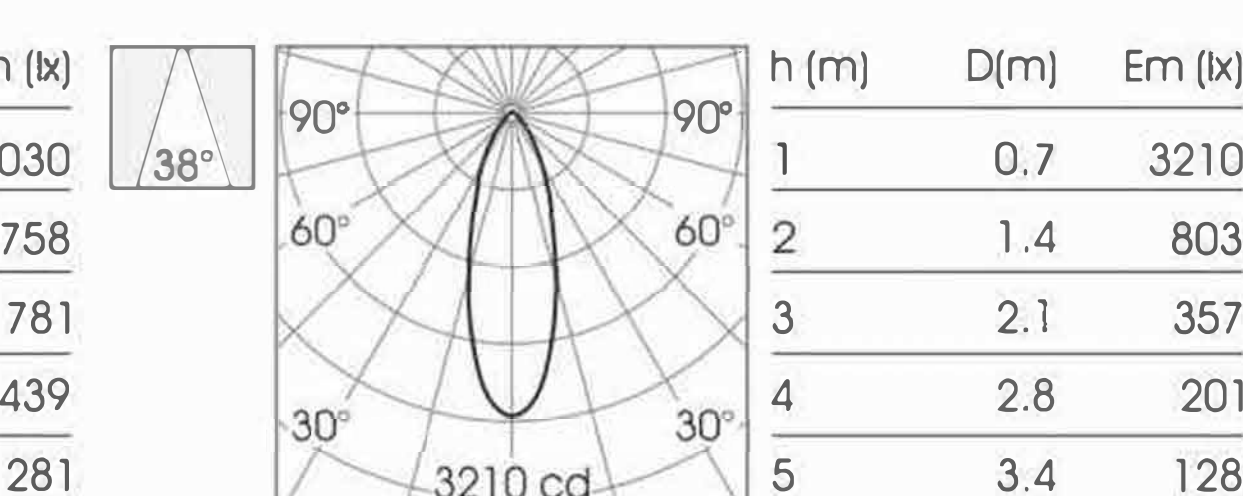
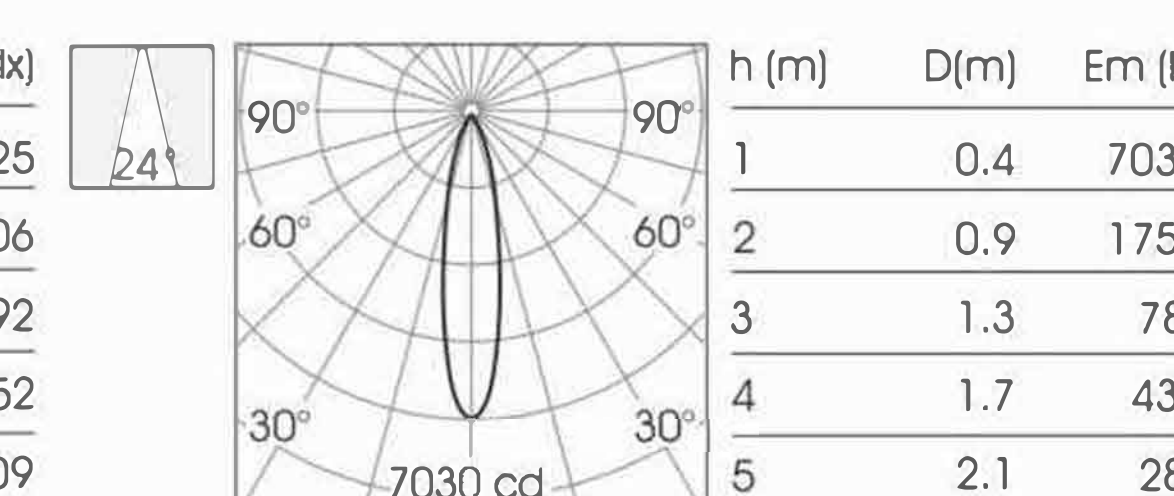
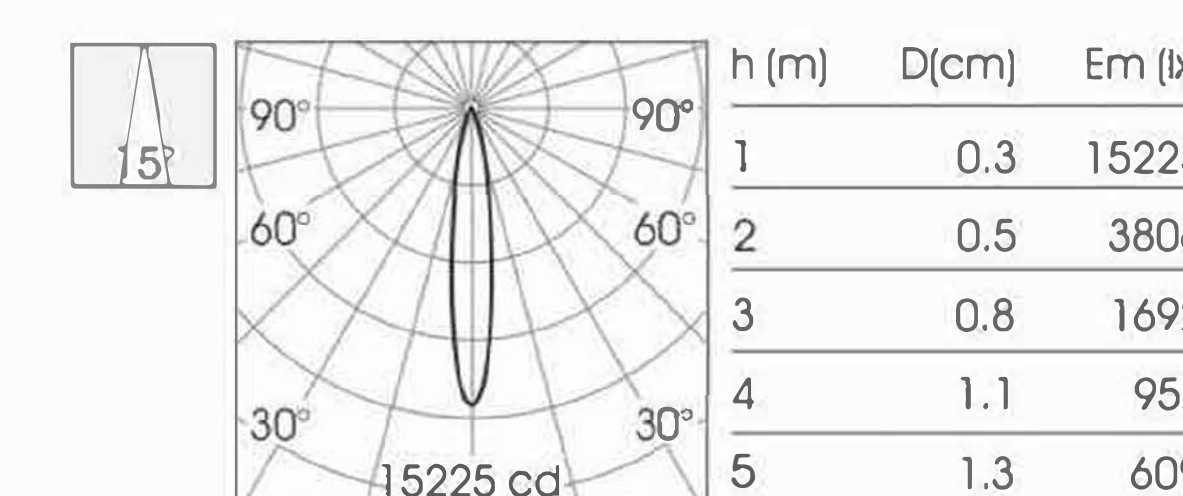
Output current:  
600mA

OPTIC:  
15°/24°/38°

Mains voltage:  
220-240V

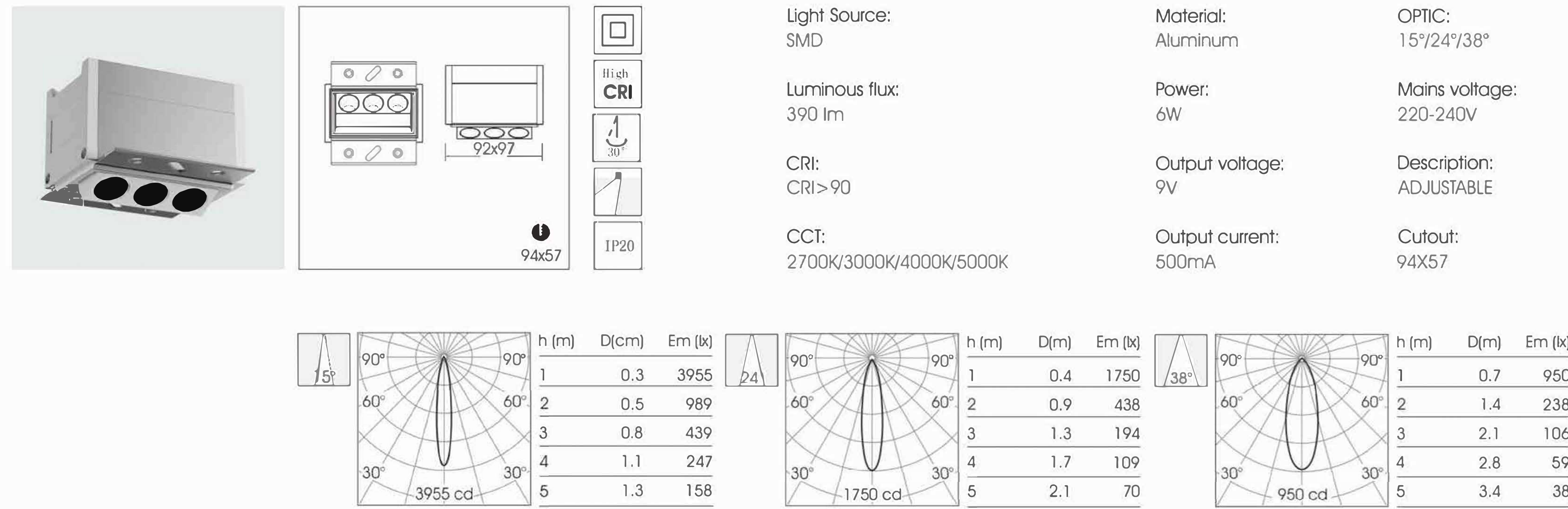
Description:  
ADJUSTABLE

Cutout:  
243X44

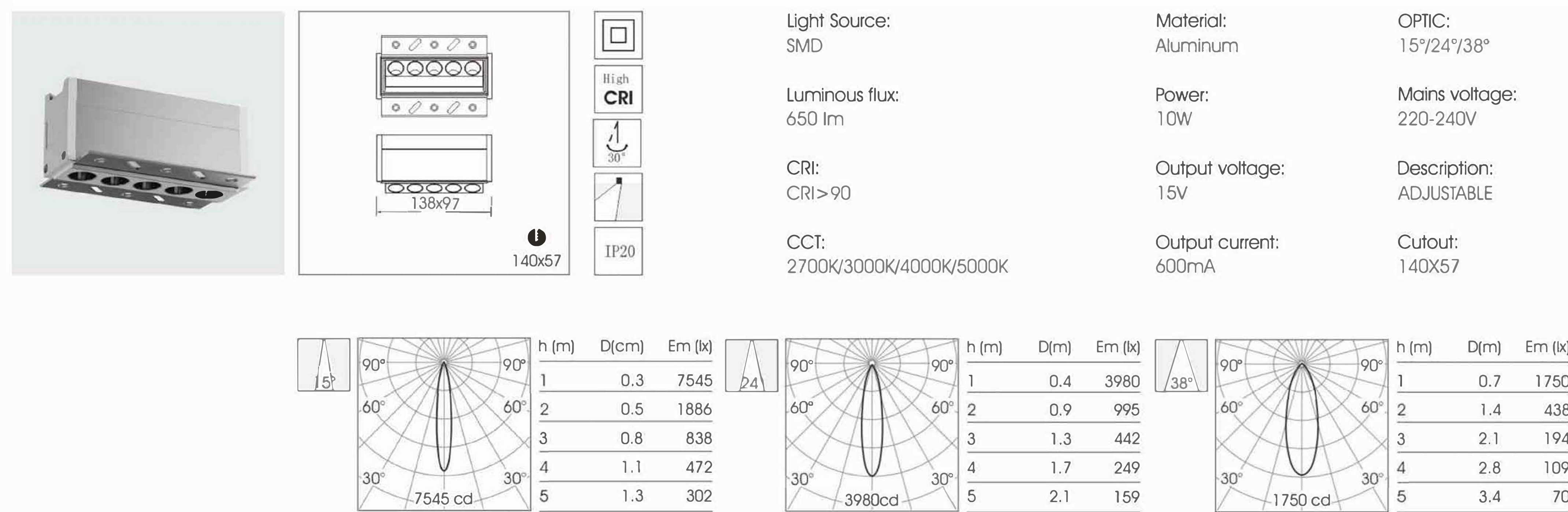




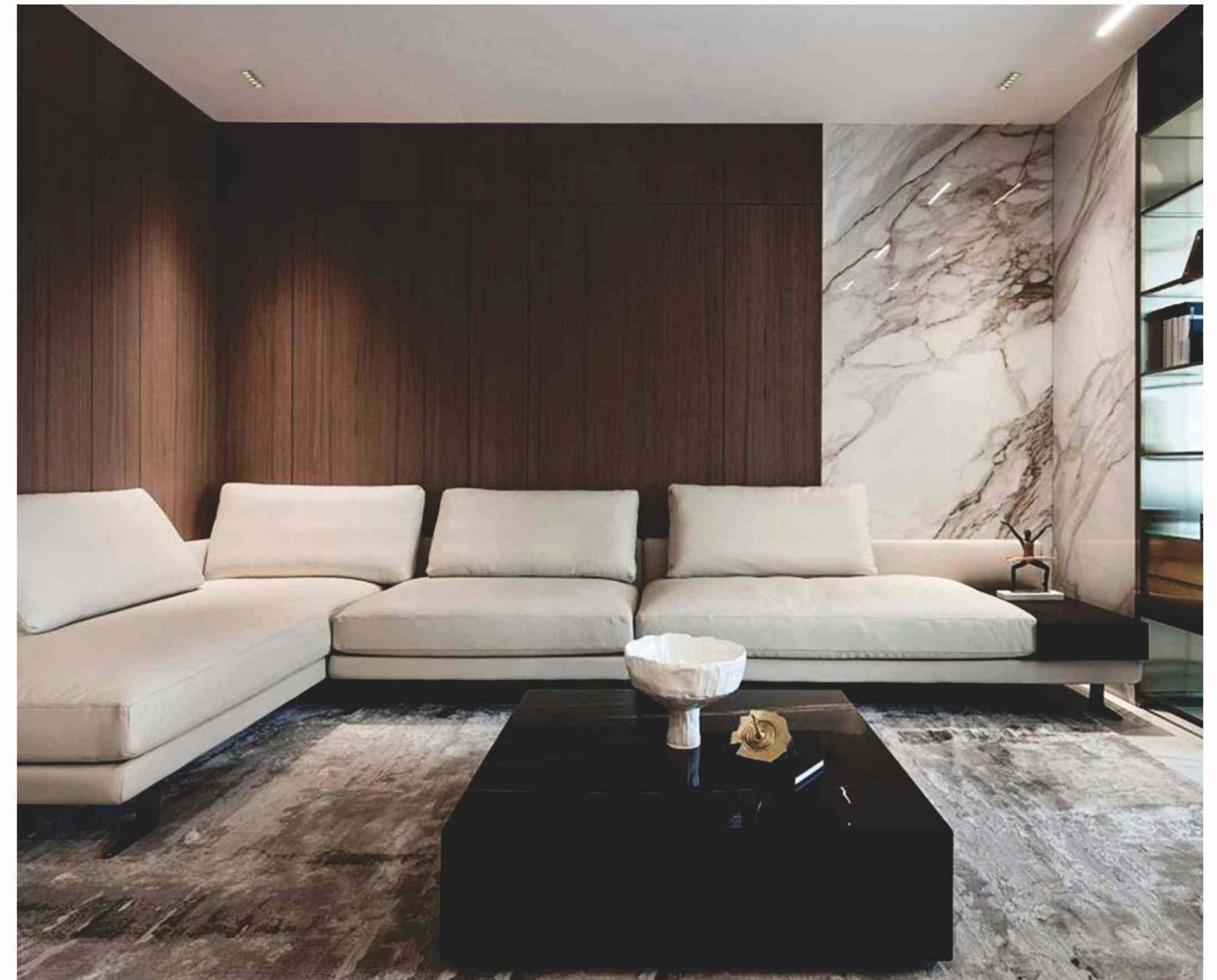
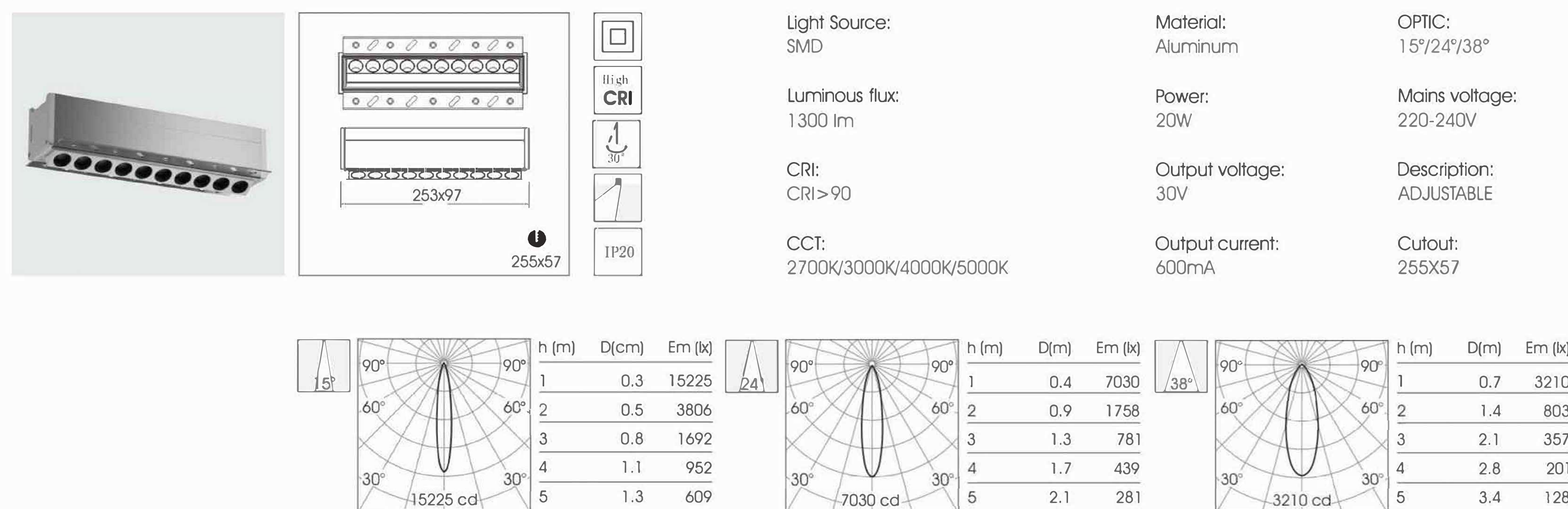
GPS-160



GPS-161

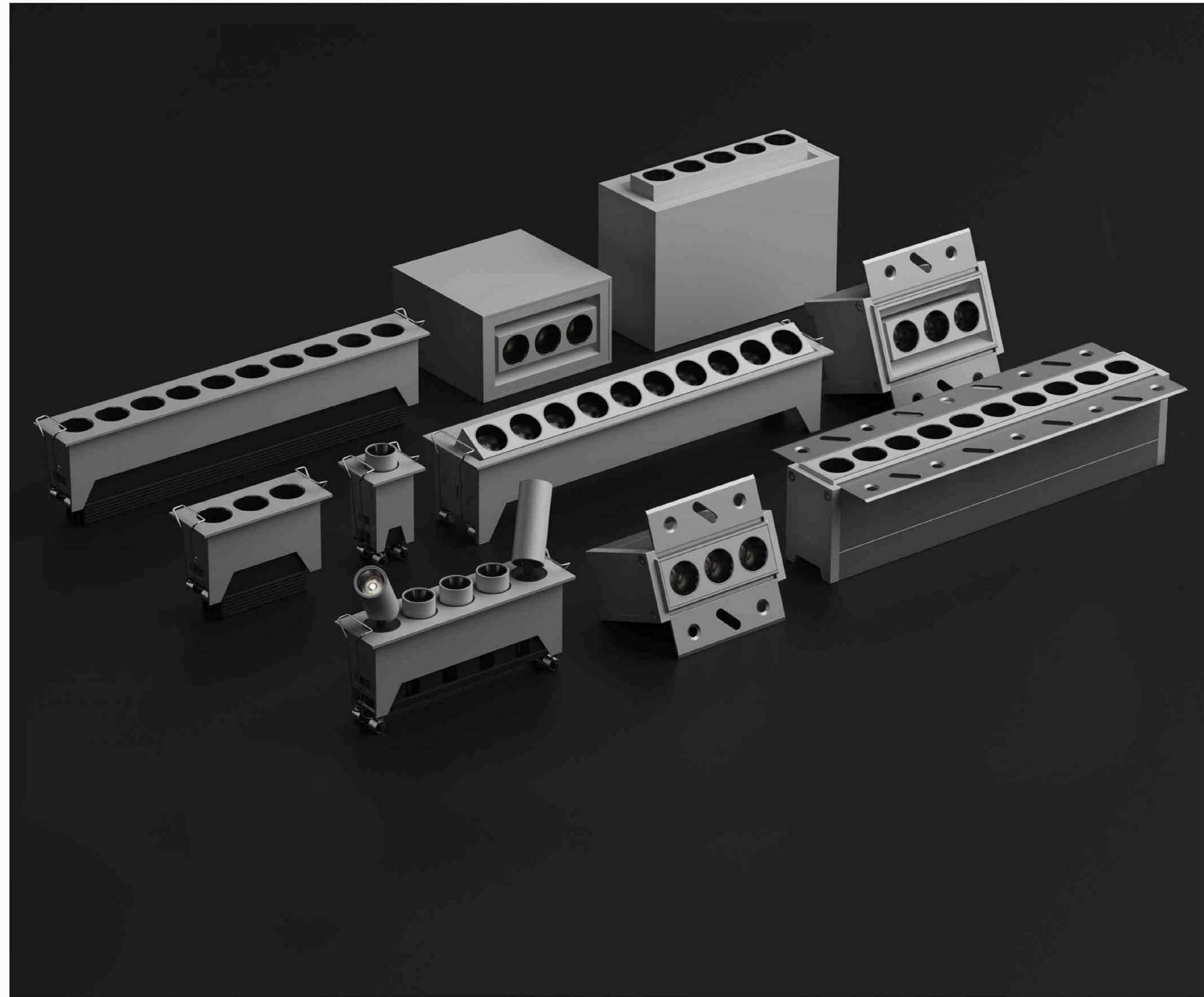


GPS-162

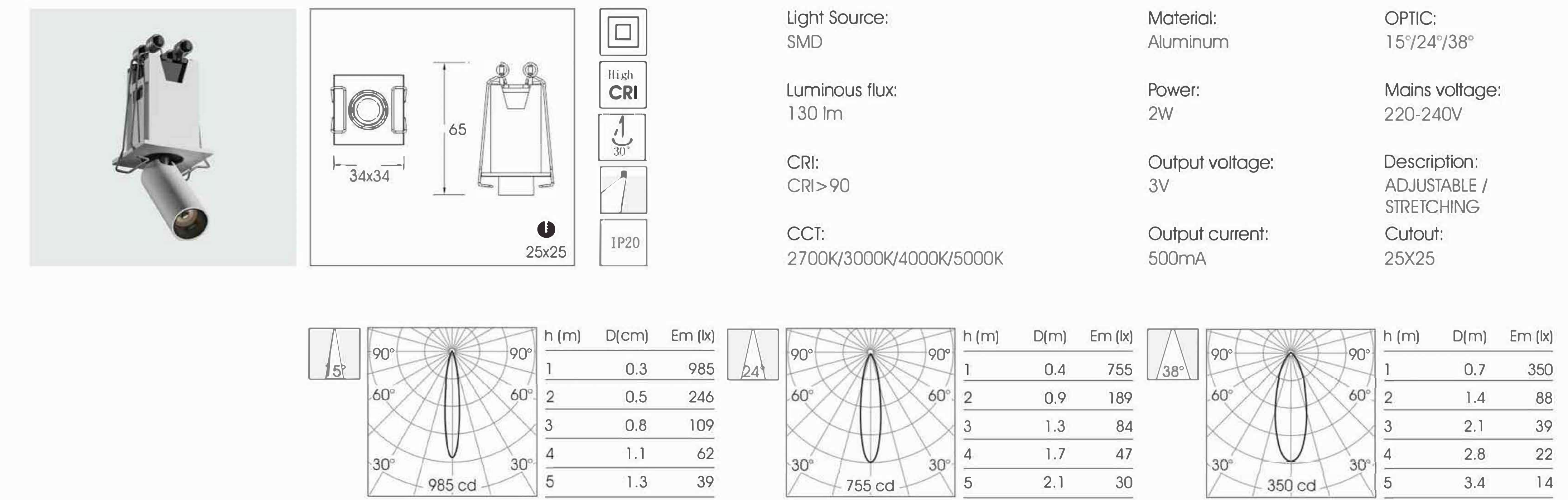




## RECESSED CEILING LIGHT series



GPS-163



Light Source:  
SMD

Material:  
Aluminum

OPTIC:  
15°/24°/38°

Luminous flux:  
130 lm

Power:  
2W

Mains voltage:  
220-240V

CRI:  
CRI>90

Output voltage:  
3V

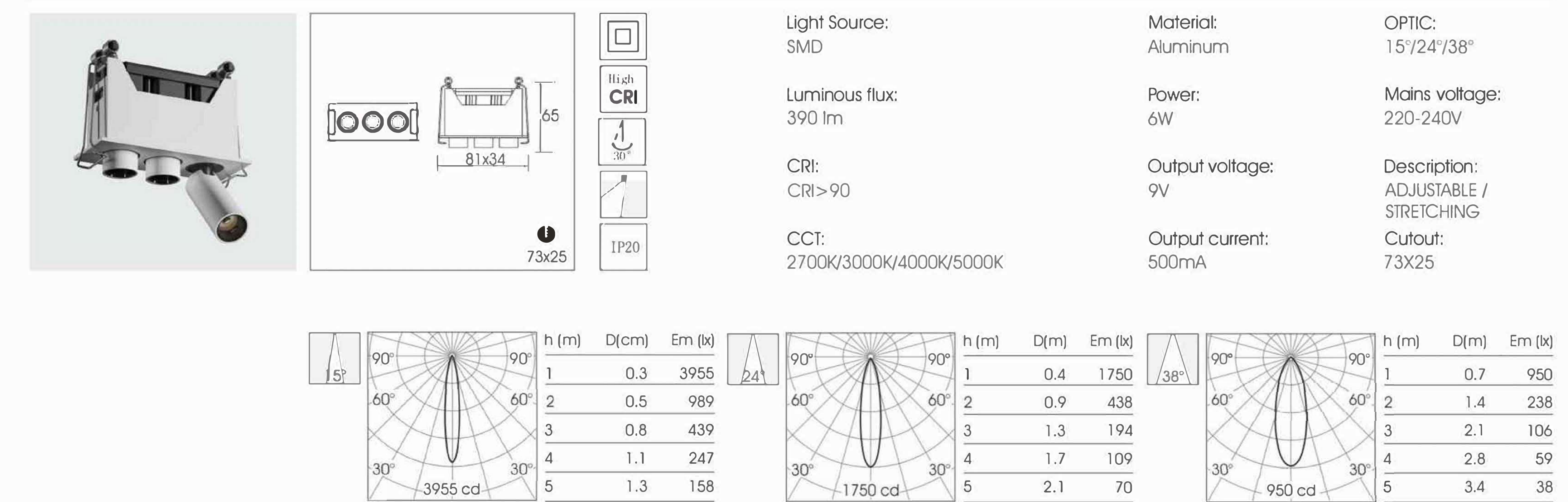
Description:  
ADJUSTABLE /  
STRETCHING

CCT:  
2700K/3000K/4000K/5000K

Output current:  
500mA

Cutout:  
25X25

GPS-164



Light Source:  
SMD

Material:  
Aluminum

OPTIC:  
15°/24°/38°

Luminous flux:  
390 lm

Power:  
6W

Mains voltage:  
220-240V

CRI:  
CRI>90

Output voltage:  
9V

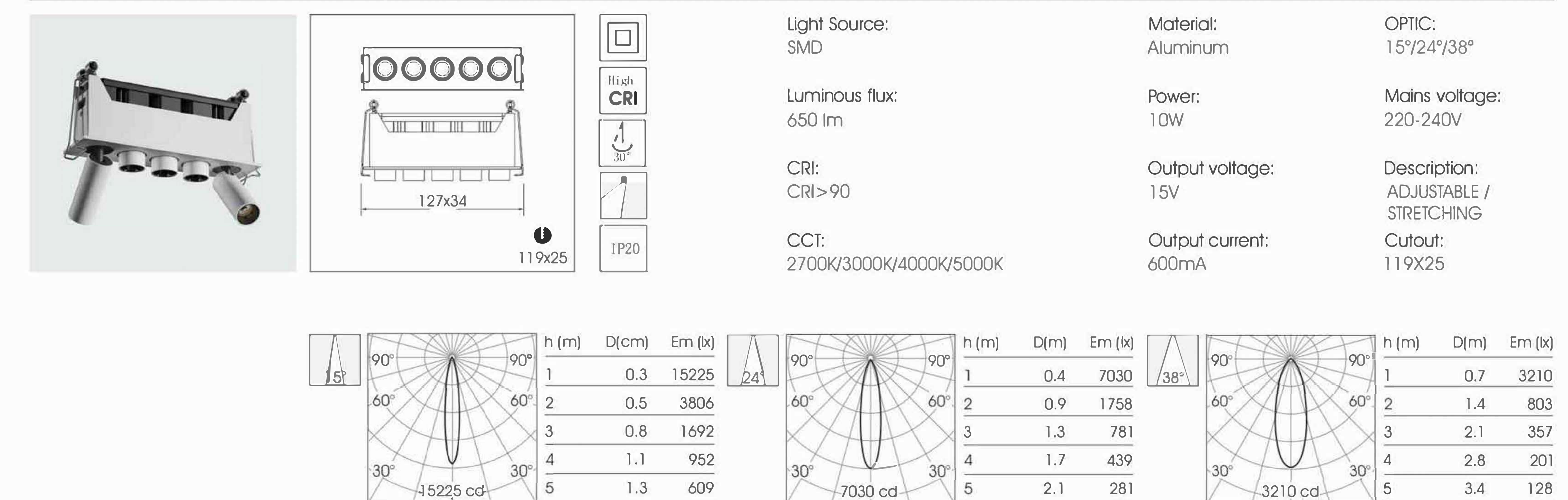
Description:  
ADJUSTABLE /  
STRETCHING

CCT:  
2700K/3000K/4000K/5000K

Output current:  
500mA

Cutout:  
73X25

GPS-165



Light Source:  
SMD

Material:  
Aluminum

OPTIC:  
15°/24°/38°

Luminous flux:  
650 lm

Power:  
10W

Mains voltage:  
220-240V

CRI:  
CRI>90

Output voltage:  
15V

Description:  
ADJUSTABLE /  
STRETCHING

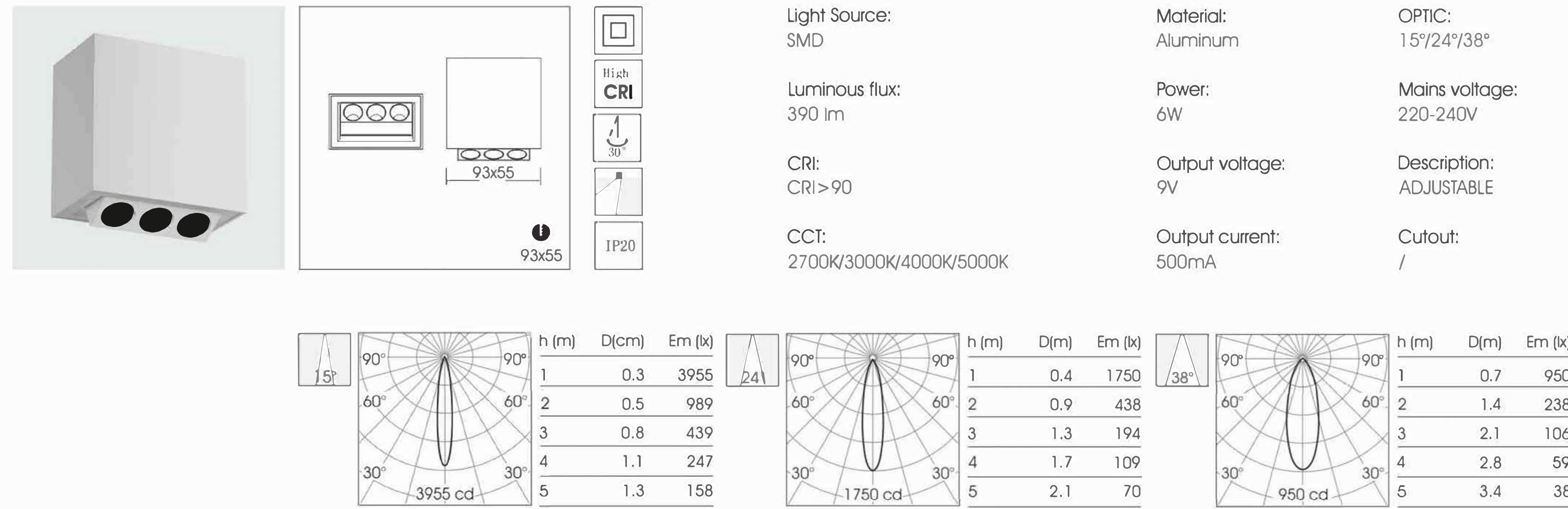
CCT:  
2700K/3000K/4000K/5000K

Output current:  
600mA

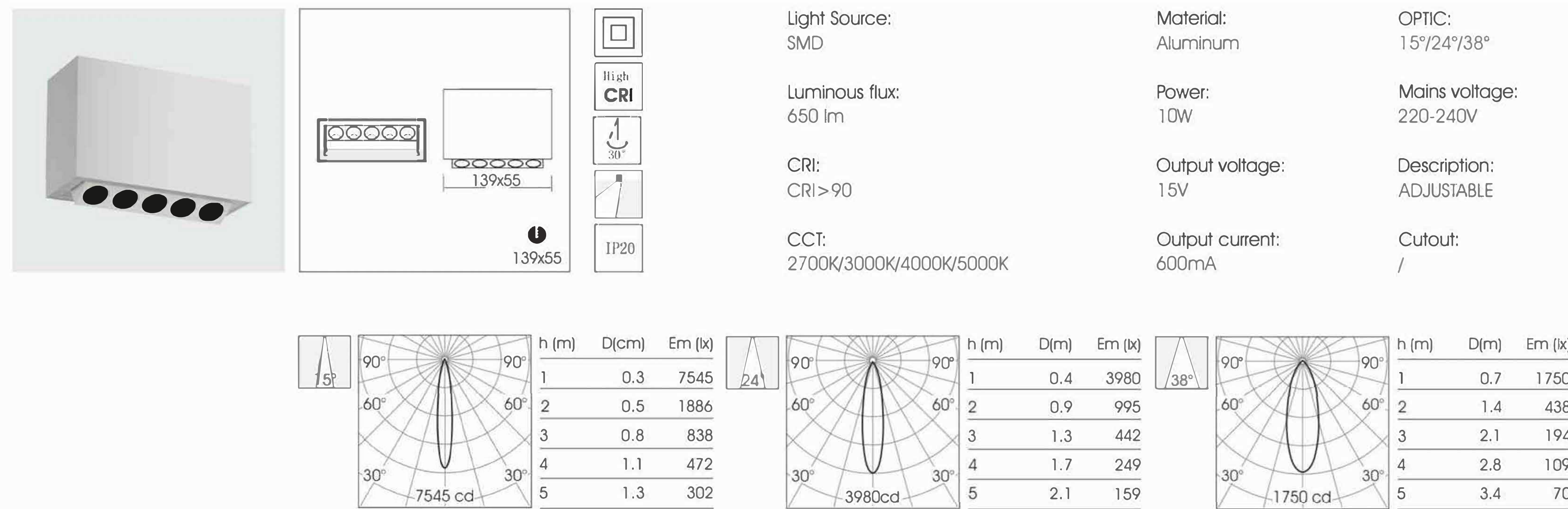
Cutout:  
119X25



GPS-166



GPS-167



GPS-168

