

Lighting Catalog





LED投光灯-S/ LED Flood light-S



LED广告灯-A/ LED Billboard Light-A



LED球场灯-S/ LED Stadium Light-S



LED球场灯-A/ LED Stadium Light-A



LED球场灯-B/ LED Stadium Light-B



LED球场灯-D/ LED Stadium Light-D



LED球场灯-G/ LED Stadium Light-G



UFO LED High Bay Light-A
UFO LED 工矿灯-A



UFO LED High Bay Light-B
UFO LED 工矿灯-B



UFO LED High Bay Light-H
UFO微波感应工矿灯-H



LED High Bay Light-A
LED 工矿灯-A



LED High Bay Light-B
LED 工矿灯-B



LED High Bay Light-D
LED 工矿灯-D



LED Line High Bay Light-A
LED 线条工矿灯-A



LED Flood light-H
LED投光灯-H



LED Tunnel light-F
LED隧道灯-F



LED Tunnel light-G
LED隧道灯-G



LED Street light-B
LED路灯-B



LED Street Light-C
LED 路灯-C



LED Street Light-G2
LED 路灯-G2



LED Street Light-P
LED 路灯-P



LED Solar Street Light-A
LED太阳能路灯-A

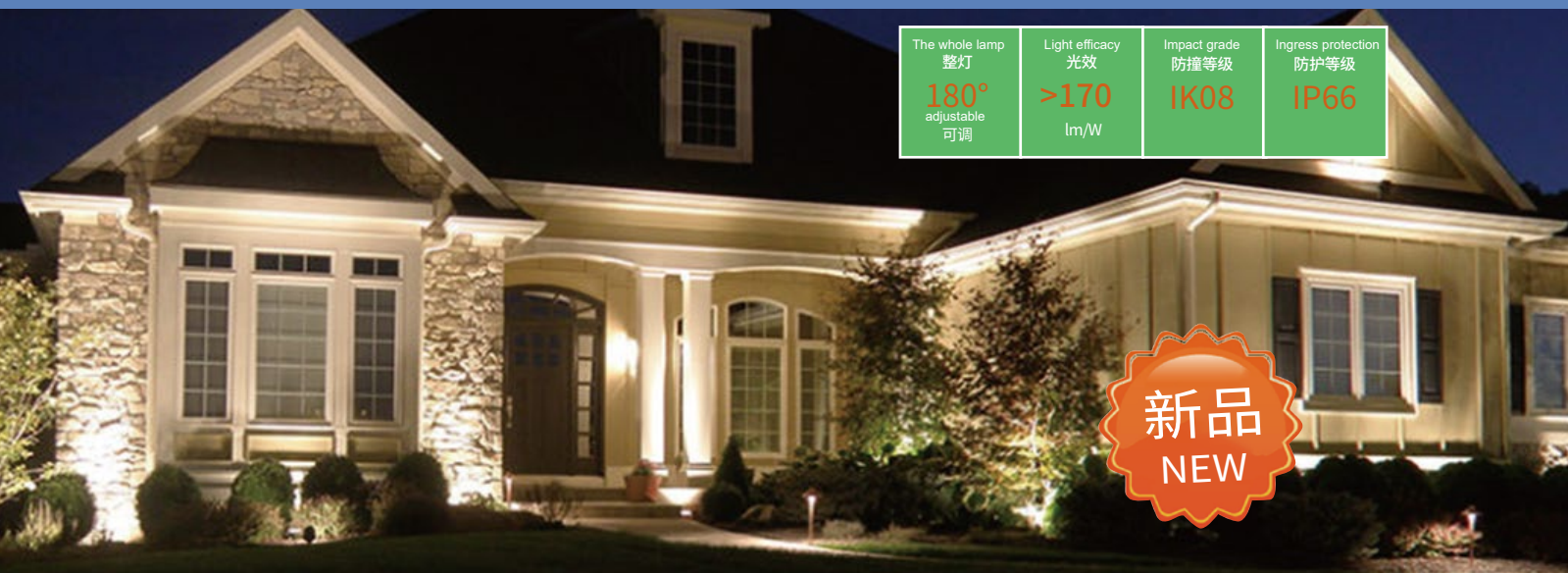


LED Explosion-Proof Light
LED防爆灯



Energy Conservation Programme/CCT
节能方案/色温对比

LED投光灯-S/ LED Flood Light-S



The whole lamp 整灯	Light efficacy 光效	Impact grade 防撞等级	Ingress protection 防护等级
180° adjustable 可调	>170 lm/W	IK08	IP66

新品
NEW



60W 100W 400W/500W 背面/Back

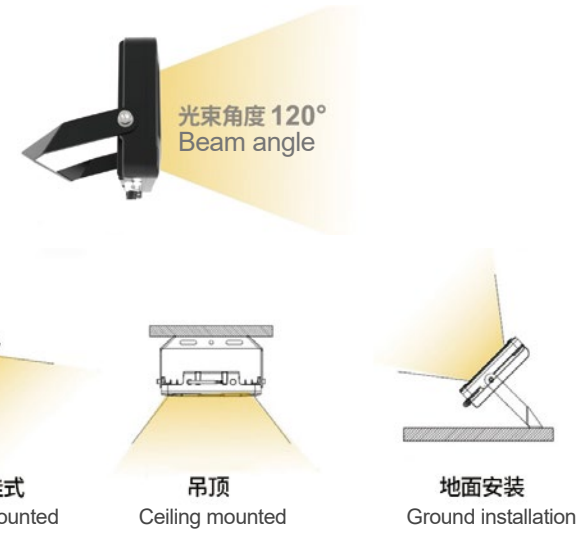
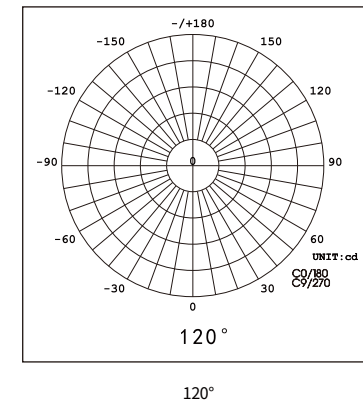
产品特点 Product Features

- ▶ 独特的泛光灯: 30W 60W 100W 200W 300W 400W 500W
- ▶ 光效 170-190lm/W
- ▶ 防撞等级 IK08
- ▶ 专利原创设计
- ▶ 防护等级 IP66
- ▶ 良好的散热性能
- ▶ Unique flood lights: 30W 60W 100W 200W 300W 400W 500W
- ▶ Light efficacy 170lm/W or 190lm/W
- ▶ Impact grade IK08
- ▶ Original design with patent
- ▶ Ingress Protection IP66
- ▶ Good heat dissipation performance

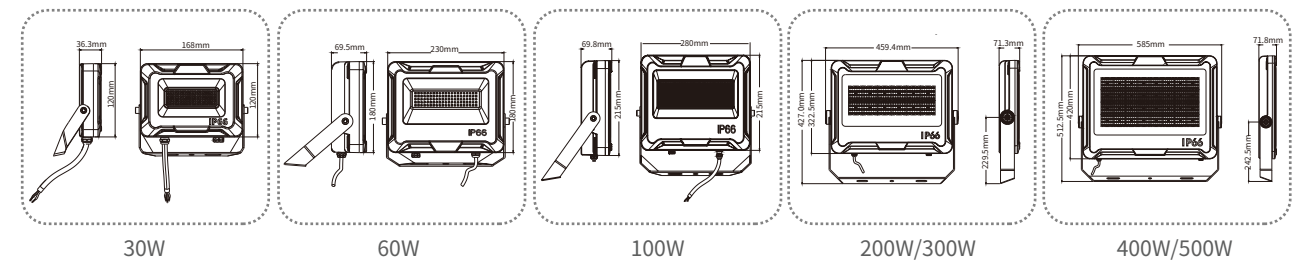
应用范围 Application scope

广泛应用于商场、展览馆、停车场、运动场、体育馆、广告牌、公园、雕塑、绿色照明工程、建筑立面以及公共走廊、楼梯过道等室内外照明。
Widely used in shopping malls, exhibition halls, parking lots, sports fields, gyms, billboards, parks, sculptures, green lighting projects, building facades, as well as indoor and outdoor lighting for public corridors, staircases, and corridors.

光束角度 Light Distribution Curves



产品尺寸 Size



产品参数 Specifications



	30W	60W	100W	200W	300W	400W	500W
功率 Power	30W	60W	100W	200W	300W	400W	500W
光效 Efficacy	170lm/W; 190lm/W						
色温 CCT	2700-6500K						
显指 CRI	≥80Ra						
LED	三安San'an/SMD 2835						
功率因素 PF	>0.97						
输入电压 Input voltage	AC100-277V						
总谐波失真 THD	15%<THD<20%						
净重 N.G.	0.95kg	2.6kg	3.45kg	6.8kg	6.9kg	10.8kg	11kg
尺寸 Size(mm)	L168*W120 *H36	L230*W180 *H71	L280*W215 *H71	L459*W322 *H71	L459.4*W323 *H71	L585*W420 *H72	L585*W420 *H72
光束角度 Beam Angle	30°/60°/90°/120°						
工作温度 Work Temp	-40~+60°C						
LED结温度 LED Junction Temp	≤80°C						
湿度 Humidity	25%~90% RH, 相对湿度, 无冷凝 no condensing						
使用寿命 Life span	≥50000H						
防护等级 IP Grade	IP66						
防撞等级 IK Grade	IK08						
产品材料 Product Material							
电源线 Power Wire	铝+玻璃/铝+PC+玻璃 Aluminum+Glass/Aluminum+PC+Glass				电子安全等级 Electronic security level		
电缆 Cable(3*1mm ²) L=0.5m	铝+玻璃/铝+PC+玻璃 Aluminum+Glass/Aluminum+PC+Glass				Class I		

LED广告灯-A/LED Billboard Light-A



新品
NEW

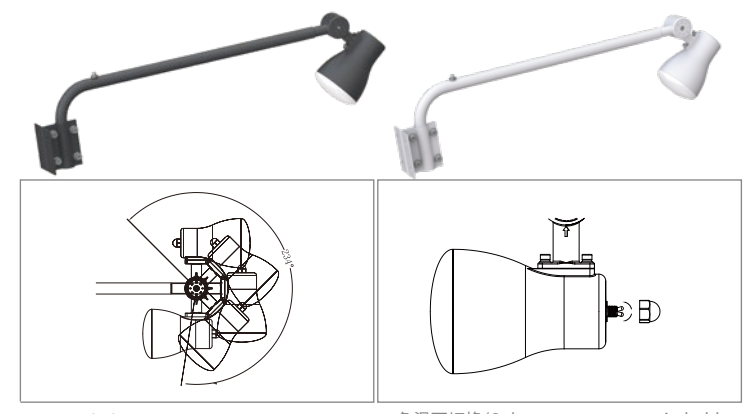
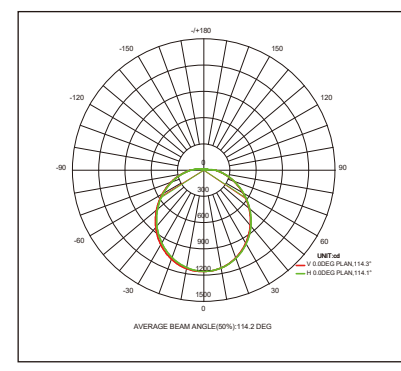
产品特点 Product Features

- ▶ 原创独特的设计, 简洁大方, 实用性强, 适合大多数广告招牌的应用;
- ▶ 灯头可水平旋转234度, 垂直旋转360度, 以确保光线投射在正确的方向;
- ▶ 具有2种颜色温度选择, 暖白2900-3100K, 中性白4800-5200K, 可切换;
- ▶ IP66级防水, 使用密封技术, 可抵抗水流入外部元件, 从而达到防水效果, 使用更长久;
- ▶ Original unique design, simple, generous with great practical function, suitable for most advertising signage applications.
- ▶ Lamp head can be rotated 234 degrees horizontally and 360 degrees vertically to ensure that the light is projected in the correct direction.
- ▶ With 2 options of color temperature, warm white 2900-3100K, neutral white 4800-5200K, switchable.
- ▶ Factory sealed water tight and IP66 rated for protection against high-pressure water jets and outdoor elements.

应用范围 Application scope

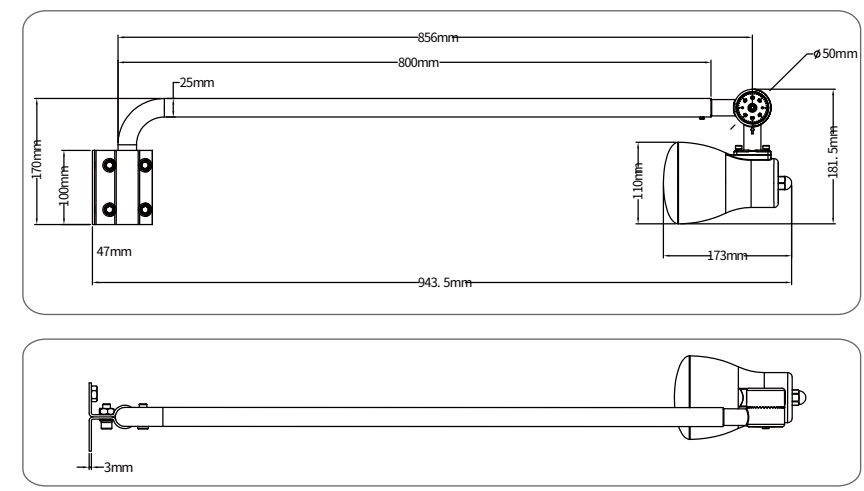
广泛应用于广告牌, 商铺门头招牌, 企业形象墙, 展览馆, 建筑景观等室内外照明场所。
Widely used in indoor and outdoor lighting places such as billboards, shop signs, company image walls, exhibition halls, architectural landscapes, etc.

光束角度 Light Distribution Curves



角度可调/Angle adjustment 色温可切换/Color temperature switchable

产品尺寸 Size



产品参数 Specifications

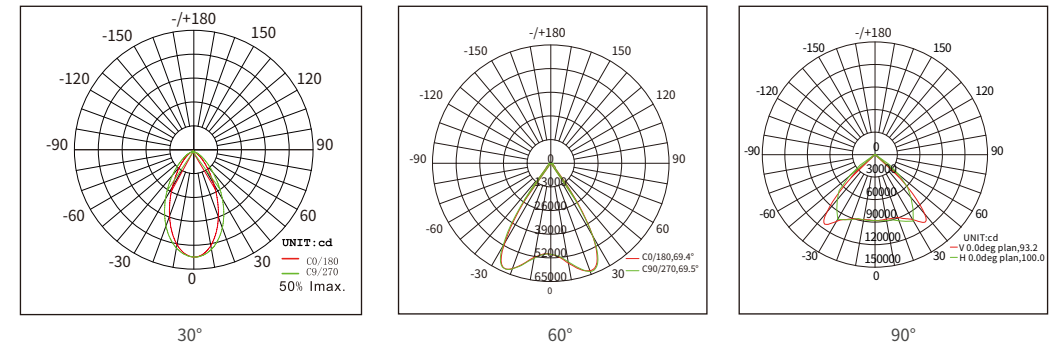


功率 Power	36W	
总流明 Lumen	5040lm	
光效 Efficacy	140lm/W	
色温 CCT	具有两种色温可选择暖白2900-3100K, 中性白4800-5200K, 可切换; / There are two color temperatures to choose from: warm white 2900-3100K, and neutral white 4800-5200K, which can be switched;	
LED	三安San'an/Lumileds 3030	
功率因素 PF	>0.95	
显指 CRI	≥ 80Ra	
输入电压 Input voltage	AC85-265V	
总谐波失真 THD	15%<THD<20%	
净重 N.G.	2.4kg	
尺寸 Size(mm)	L825*W173*H110mm	
颜色 Product color	Black or White	
光束角度 Beam Angle	110°	
工作温度 Work Temp	-20~40°C	
LED结温度 LED Junction Temp	≤115°C	
湿度 Humidity	25%~90% RH, 相对湿度, 无冷凝 no condensing	
使用寿命 Life span	≥50000H	
防护等级 IP Grade	IP66	
防撞等级 IK Grade	IK08	
外壳材质 Body material		
电源线 Power Wire	产品材料 Product Material	电子安全等级 Electronic security level
电缆 Cable(3*1mm²) L=0.5m	压铸铝合金 ADC12 Aluminum housing	Class I

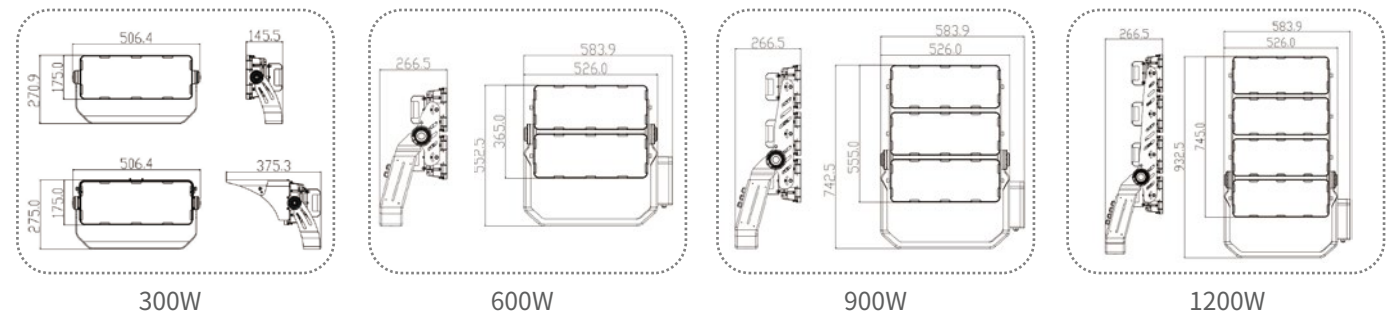
LED球场灯-S / LED Stadium Light-S



光束角度 Light Distribution Curves



产品尺寸 Size



产品参数 Specifications



产品特点 Product Features

- ▶ 采用大功率LED贴片 (3030/3535/5050) 光源, 电源可匹配任何品牌;
- ▶ 灯壳采用铝压铸成型, 通过合理的结构设计有效的散热和防水、防尘, 灯具表面进行了耐紫外线抗腐蚀喷粉处理, 整体灯具达到IP66标准;
- ▶ 散热器与灯壳一体化设计, LED直接与外壳紧密相接, 通过外壳散热翼与空气对流散热, 充分保证了LED路灯的使用寿命;
- ▶ 拥有外观和实用新型专利, 知识产权保护卖家无后顾之忧。
- ▶ Adopting high-power LED chip (3030/3535/5050) light source the power supply can match any brand.
- ▶ The lamp shell is made of aluminum die-casting, which effectively dissipates heat, is waterproof, and dustproof through reasonable structural design. The surface of the lamp is treated with UV resistant and corrosion-resistant powder spraying, and the overall lamp meets the IP66 standard.
- ▶ The integrated design of the heat sink and lamp housing ensures that the LED is directly connected to the housing, and the heat dissipation fins of the housing and air convection heat dissipation fully ensure the service life of the LED street lamp.
- ▶ With appearance and utility model patents, sellers have no worries about intellectual property protection.

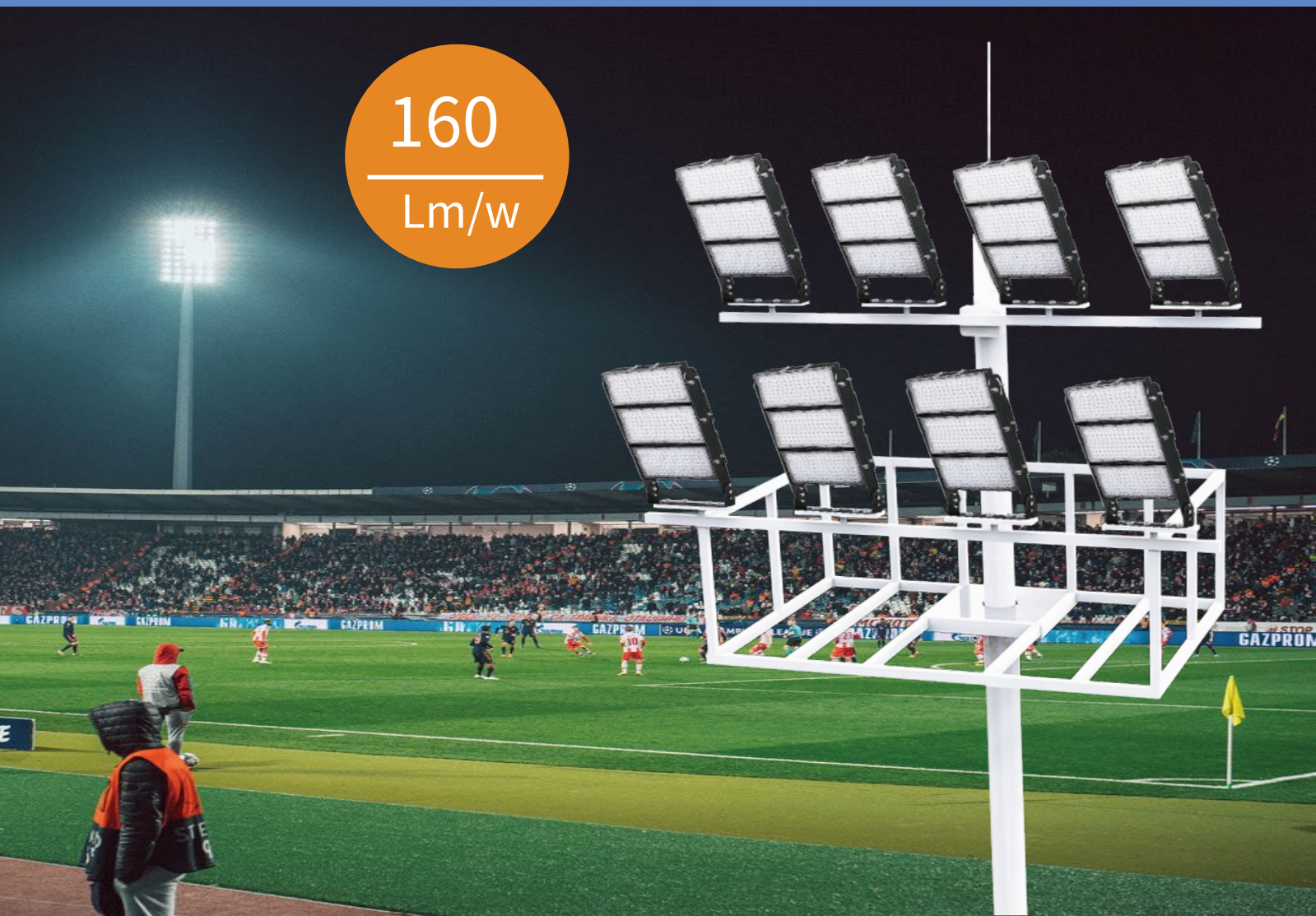
应用范围 Application scope

广泛应用于室外体育场、停车场、足球场、高尔夫球场、网球场、公园广场等其他需要户外照明的场所;
Widely used in outdoor sports venues, parking lots, football fields, golf courses, tennis courts, park squares, and other places that require outdoor lighting;

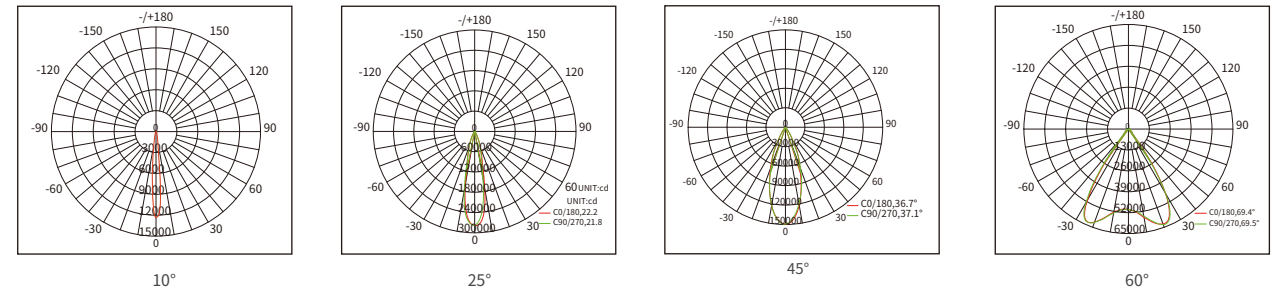
	300W	600W	900W	1200W
功率 Power	300W	600W	900W	1200W
总流明 Lumen	48000lm	96000lm	144000lm	192000lm
光效 Efficacy	160lm/W			
色温 CCT	2700-6500K			
显指 CRI	≥80Ra			
LED	三安San'an/Lumileds/SMD 3030/3535/5050			
功率因素 PF	>0.97			
输入电压 Input voltage	AC100-277V			
总谐波失真 THD	15%<THD<20%			
净重 N.G.	7.4kg	17.7kg	23.2kg	29kg
尺寸 Size(mm)	506.4*270.9*145.5	583.9*526.0*266.5	742.5*583.9*266.5	932.5*583.9*266.5
光束角度 Beam Angle	30°/60°/90°			
工作温度 Work Temp	-40~+60°C			
湿度 Humidity	15%~90% RH, 相对湿度, 无冷凝 no condensing			
外部 Surface	粉末喷涂 Sprayed with outdoor special powder			
使用寿命 Life span	≥50,000 Hrs (LM70@35°C)			
防护等级 IP Grade	IP66			
防撞等级 IK Grade	IK08			
产品材料 Product Material				
电源线 Power Wire	外壳材质 Body material	电子安全等级 Electronic security level		
电缆 Cable(3*1mm ²) L=0.5m	铝+PC+玻璃 Aluminum+PC+Glass	Class I		

LED球场灯-A / LED Stadium Light-A

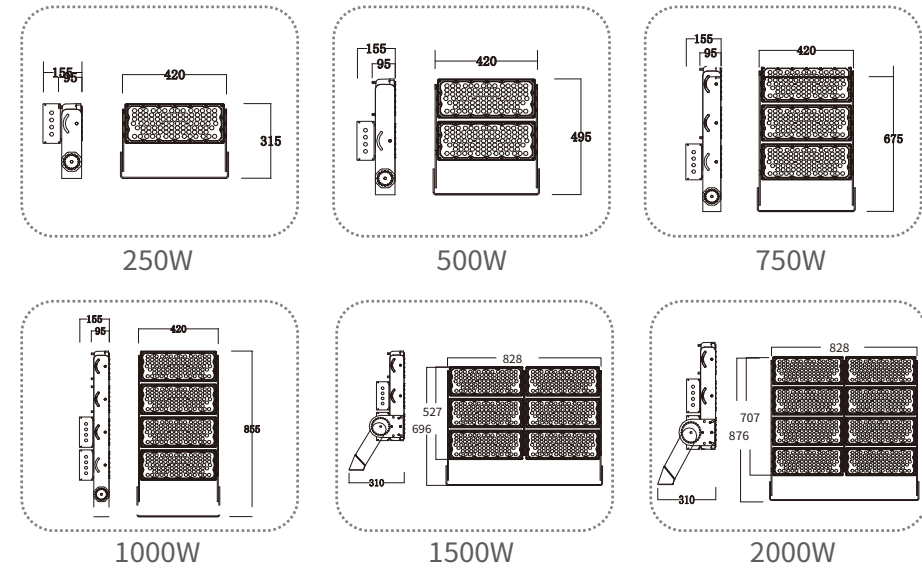
160
Lm/w



光束角度 Light Distribution Curves



产品尺寸 Size



产品参数 Specifications



	250W	500W	750W	1000W	1500W	2000W
功率 Power	250W	500W	750W	1000W	1500W	2000W
总流明 Lumen	40000lm	80000lm	120000lm	160000lm	240000lm	320000lm
光效 Efficacy	160lm/W					
色温 CCT	2700-6500K					
显指 CRI	≥80Ra					
LED	三安San'an/Lumileds/SMD 5050					
功率因素 PF	>0.97					
输入电压 Input voltage	AC100-277V					
总谐波失真 THD	15%<THD<20%					
净重 N.G.	9.2kg	14.2kg	21kg	26kg	43kg	52.5kg
尺寸 Size(mm)	315*420*155	495*420*155	675*420*155	855*420*155	696*828*311	876*828*311
光束角度 Beam Angle	(3030 SMD) 45°/60°/80°/150°, (SMD 5050) 10°/25°/45°/60°/80°/150°					
工作温度 Work Temp	-40~+60°C					
湿度 Humidity	15%~90% RH, 相对湿度, 无冷凝 no condensing					
外部 Surface	粉末喷涂 Sprayed with outdoor special powder					
使用寿命 Life span	≥50,000 Hrs (LM70@35°C)					
防护等级 IP Grade	IP66					
防撞等级 IK Grade	IK08					
产品材料 Product Material						
电源线 Power Wire	外壳材质 Body material		电子安全等级 Electronic security level			
电缆 Cable(3*1mm ²) L=0.5m	铝 Aluminum housing+PC		Class I			

产品特点 Product Features

- ▶ 选用高光效SMD 5050灯珠, 整灯光效可达160LM/W;
- ▶ 采用高透光率PC透镜, 出光均匀柔和, 透光率>92%;
- ▶ 多种角度可选, 适配不同使用场合(10°/25°/45°/60°/80°/150°)
- ▶ AC100-277V输入恒压恒流电源驱动, 具有短路/过压/过流/过温保护;
- ▶ 1070铝材, 模块设计, 外表氧化喷粉处理, 整灯IP65, 防水防尘耐腐蚀;
- ▶ Using high luminous efficiency SMD 5050 lamp beads, the overall lighting efficiency can reach 160LM/W;
- ▶ Adopting a high transmittance PC lens, the light output is uniform and soft, with a transmittance of>92%;
- ▶ Multiple angles available, suitable for different usage scenarios (10°/25°/45°/60°/80°/150°)
- ▶ AC100-277V input constant voltage and constant current power supply drive, with short circuit/overvoltage/overcurrent/over temperature protection;
- ▶ 1070 Aluminum material, module design, surface oxidation and powder spraying treatment, whole lamp IP65, waterproof, dustproof, and corrosion-resistant;

应用范围 Application scope

广泛应用于室外体育场、停车场、足球场、高尔夫球场、网球场、公园广场等其他需要户外照明的场所;
Widely used in outdoor sports venues, parking lots, football fields, golf courses, tennis courts, park squares, and other places that require outdoor lighting;

LED球场灯-B/ LED Stadium Light-B

160
Lm/w



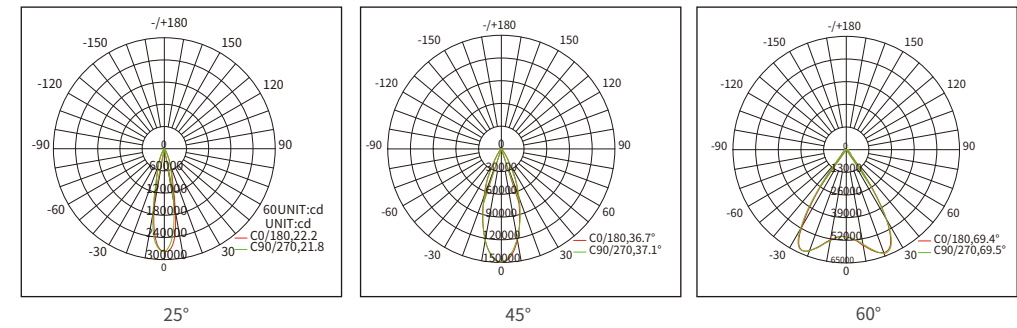
产品特点 Product Features

- ▶ 选用高光效SMD 5050灯珠, 整灯光效可达160LM/W;
- ▶ 采用高透光率PC透镜, 出光均匀柔和, 透光率>92%;
- ▶ 多种角度可选, 适配不同使用场合(10°/25°/45°/60°)
- ▶ AC100-277V输入恒压恒流电源驱动, 具有短路/过压/过流/过温保护;
- ▶ 1070铝材, 模块设计, 外表氧化喷粉处理, 整灯IP66, 防水防尘耐腐蚀;
- ▶ Using high luminous efficiency SMD 5050 lamp beads, the overall lighting efficiency can reach 160LM/W;
- ▶ Adopting a high transmittance PC lens, the light output is uniform and soft, with a transmittance of>92%;
- ▶ Multiple angles available, suitable for different usage scenarios (10°/25°/45°/60°)
- ▶ AC100-277V input constant voltage and constant current power supply drive, with short circuit/overvoltage/overcurrent/over temperature protection;
- ▶ 1070 Aluminum material, module design, surface oxidation and powder spraying treatment, whole lamp IP65, waterproof, dustproof, and corrosion-resistant;

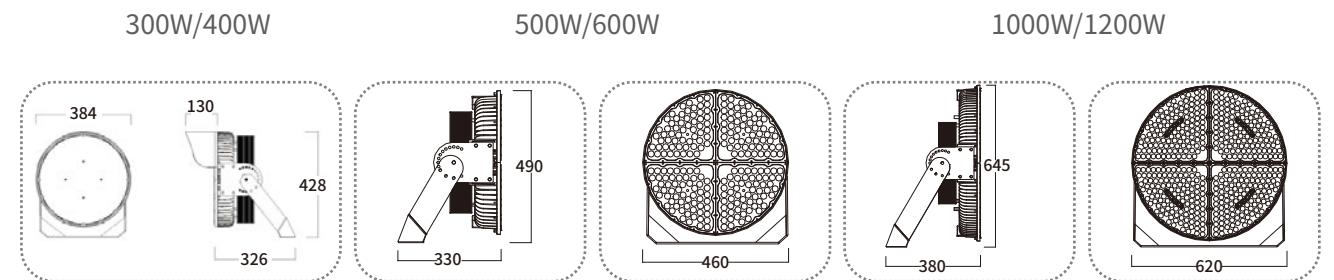
应用范围 Application scope

广泛应用于室外体育场、停车场、足球场、高尔夫球场、网球场、公园广场等其他需要户外照明的场所;
Widely used in outdoor sports venues, parking lots, football fields, golf courses, tennis courts, park squares, and other places that require outdoor lighting;

光束角度 Light Distribution Curves



产品尺寸 Size



产品参数 Specifications



	300W	400W	500W	600W	1000W	1200W
功率 Power	300W	400W	500W	600W	1000W	1200W
总流明 Lumen	48000lm	64000lm	80000lm	96000lm	160000lm	192000lm
光效 Efficacy	160lm/W					
色温 CCT	2700-6500K					
LED	三安San'an/Lumileds/SMD 5050					
显指 CRI	≥80Ra					
功率因素 PF	>0.97					
输入电压 Input voltage	AC100-277V					
总谐波失真 THD	15%<THD<20%					
净重 N.G.	12.8kg	13.2kg	16.8kg	17.2kg	31kg	33kg
尺寸 Size(mm)	384*428*326	384*428*326	460*490*330	460*490*330	620*645*380	620*645*380
光束角度 Beam Angle	10°/25°/45°/60°					
工作温度 Work Temp	-40~+60 °C					
湿度 Humidity	15%~90% RH, 相对湿度, 无冷凝 no condensing					
外部 Surface	粉末喷涂 Sprayed with outdoor special powder					
使用寿命 Life span	≥50,000 Hrs (LM70 @ 35°C)					
防护等级 IP Grade	IP66					
防撞等级 IK Grade	IK08					
产品材料 Product Material						
电源线 Power Wire	外壳材质 Body material		电子安全等级 Electronic security level			
电缆 Cable(3*1mm²) L=0.5m	铝 Aluminum housing+PC		Class I			

LED球场灯-D/ LED Stadium Light-D

140
Lm/w



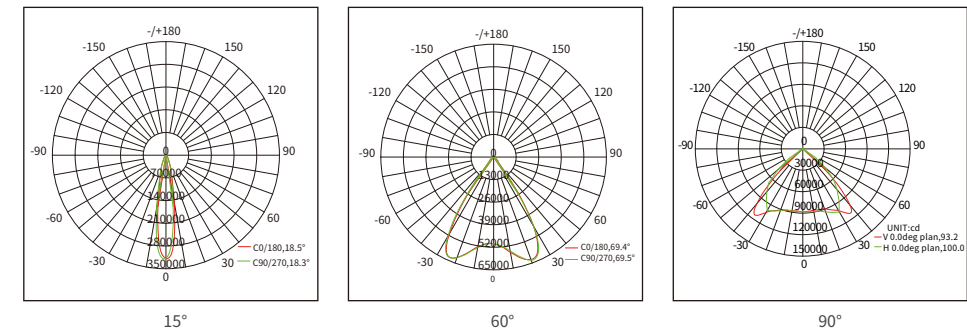
产品特点 Product Features

- ▶ 选用高光效SMD 3030灯珠, 整灯光效可达140LM/W;
- ▶ 采用高透光率PC透镜, 出光均匀柔和, 透光率>92%;
- ▶ 多种角度可选, 适配不同使用场合(15°/30°/60°)
- ▶ AC100-277V输入恒压恒流电源驱动, 具有短路/过压/过流/过温保护;
- ▶ 1070铝材, 模块设计, 外表氧化喷粉处理, 整灯IP66, 防水防尘耐腐蚀;
- ▶ Using high luminous efficiency SMD3030 lamp beads, the overall lighting efficiency can reach 140LM/W;
- ▶ Adopting a high transmittance PC lens, the light output is uniform and soft, with a transmittance of>92%;
- ▶ Multiple angles available, suitable for different usage scenarios (15°/30°/60°);
- ▶ AC100-277V input constant voltage and constant current power supply drive, with short circuit/overvoltage/overcurrent/over temperature protection;
- ▶ 1070 Aluminum material, module design, surface oxidation and powder spraying treatment, whole lamp IP65, waterproof, dustproof, and corrosion-resistant;

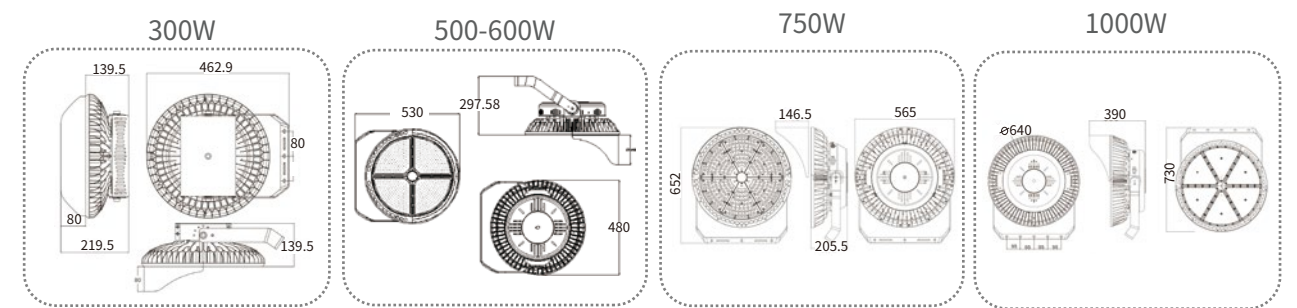
应用范围 Application scope

广泛应用于室外体育场、停车场、足球场、高尔夫球场、网球场、公园广场等其他需要户外照明的场所。
Widely used in outdoor sports venues, parking lots, football fields, golf courses, tennis courts, park squares, and other places that require outdoor lighting;

光束角度 Light Distribution Curves



产品尺寸 Size



产品参数 Specifications



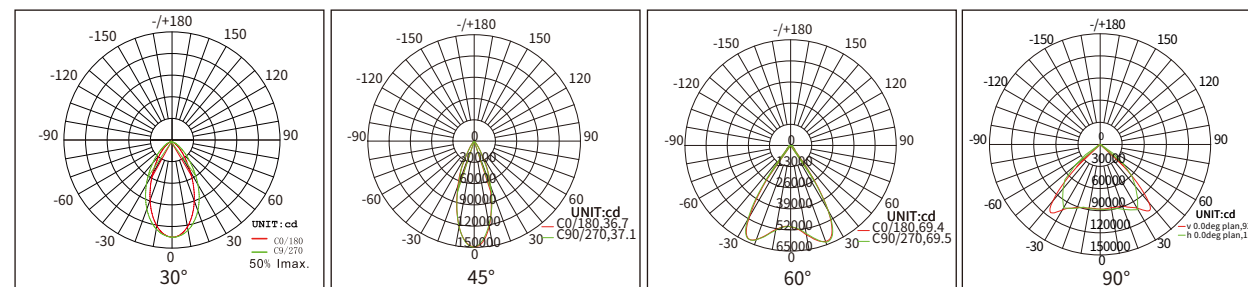
功率 Power	300W	500W	600W	750W	1000W	1200W
总流明 Lumen	42000lm	70000lm	84000lm	105000lm	140000lm	168000lm
光效 Efficacy	140lm/W					
色温 CCT	2700-6500K					
LED	三安San'an/Lumileds/SMD 3030/5050					
显指 CRI	≥80Ra					
功率因素 PF	>0.97					
输入电压 Input voltage	AC100-277V					
总谐波失真 THD	15%<THD<20%					
净重 N.G.	9.8kg	14.8kg	16kg	20kg	28kg	28kg
尺寸 Size(mm)	463*400*220	570*480*324	570*480*324	565*652*352	640*730*390	640*730*390
光束角度 Beam Angle	60°/90°	15°/30°	15°/30°	15°/30°	30°	30°
工作温度 Work Temp	-40~+60°C					
湿度 Humidity	15%~90% RH, 相对湿度, 无冷凝 no condensing					
外部 Surface	粉末喷涂 Sprayed with outdoor special powder					
使用寿命 Life span	≥50,000 Hrs (LM70@35°C)					
防护等级 IP Grade	IP66					
防撞等级 IK Grade	IK08					
产品材料 Product Material						
电源线 Power Wire	外壳材质 Body material		电子安全等级 Electronic security level			
电缆 Cable(3*1mm ²) L=0.5m	铝 Aluminum housing+PC		Class I			

LED球场灯-G/ LED Stadium Light-G

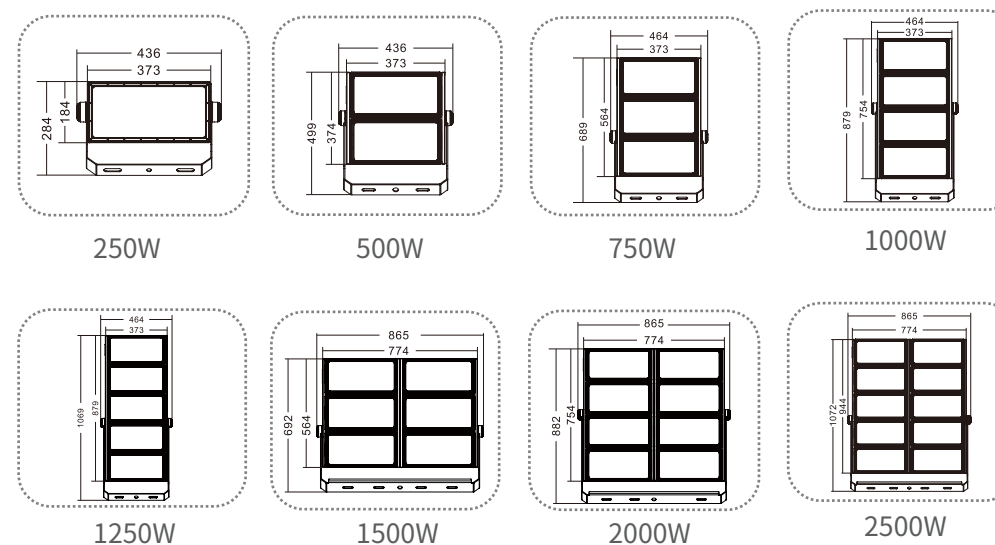
140
Lm/w



光束角度 Light Distribution Curves



产品尺寸 Size



产品参数 Specifications



产品特点 Product Features

- ▶ 功率: 250W-2500W;
- ▶ 光效140lm/w;
- ▶ 光束角度: 15°/30°/45°/60°/90°;
- ▶ 整个灯具180°可调;
- ▶ 防护等级IP66, 防撞等级IK08;
- ▶ IES文件和Dialux模拟支持;
- ▶ 配备激光瞄准镜, 可增加防眩罩;
- ▶ 精选优质铝材, 空气对流散热设计, 经久耐用, 防锈防腐蚀;
- ▶ Power range: 250W-2500W.
- ▶ Light efficacy 140lm/W.
- ▶ Beam angles: 15° 30° 45° 60° 90°.
- ▶ The whole lamp 180°adjustable.
- ▶ Ingress Protection IP66, impact grade IK08.
- ▶ IES files and Dialux simulation support.
- ▶ Equipped with laser sight anti-glare cover can be added.
- ▶ Selected high-quality aluminum materials, air convection heat dissipation design, durable, rust and corrosion resistant;

应用范围 Application scope

广泛应用于室外体育场、停车场、足球场、高尔夫球场、网球场、公园广场等其他需要户外照明的场所。
Widely used in outdoor sports venues, parking lots, football fields, golf courses, tennis courts, park squares, and other places that require outdoor lighting.

	250W	500W	750W	1000W	1250W	1500W	2000W	2500W
功率 Power	250W	500W	750W	1000W	1250W	1500W	2000W	2500W
总流明 Lumen	35000 lm	70000lm	105000 lm	140000lm	175000lm	210000lm	280000lm	350000lm
光效 Efficacy	140lm/W							
色温 CCT	2700-6500K							
显指 CRI	≥80Ra							
LED	三安San'an/Lumileds/SMD 3030							
功率因素 PF	>0.97							
输入电压 Input voltage	AC100-277V							
总谐波失真 THD	15%<THD<20%							
净重 N.G.	5.7kg	13.5kg	18.7kg	24.1kg	29.5kg	37.4kg	48.2kg	59kg
尺寸 Size(mm)	436*284 *163	436*499 *183	464*689* 183	464*879* 182	464*1069 *183	865*692* 189	865*882* 189	865*1072 *189
光束角度 Beam Angle	15° / 30° / 45° / 60° / 90°							
工作温度 Work Temp	-40 ~ +60°C							
湿度 Humidity	15%~90% RH, 相对湿度, 无冷凝 no condensing							
外部 Surface	粉末喷涂 Sprayed with outdoor special powder							
使用寿命 Life span	≥50,000 Hrs (LM70 @ 35°C)							
防护等级 IP Grade	IP66							
防撞等级 IK Grade	IK08							
产品材料 Product Material								
电源线 Power Wire	外壳材质 Body material			电子安全等级 Electronic security level				
电缆 Cable(3*1mm²) L=0.5m	铝 Aluminum housing+PC			Class I				

UFO LED 工矿灯-A/ UFO LED High Bay Light-A



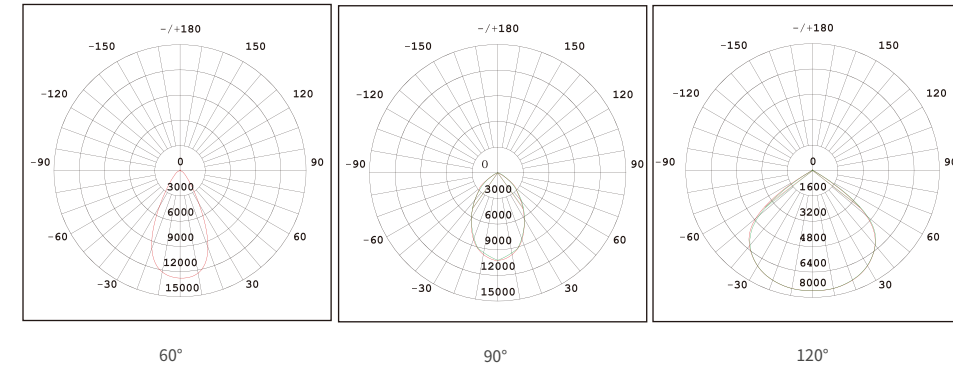
产品特点 Product Features

- ▶ 采用SMD3030灯珠，高光效，高显指，整灯光效高达160-190LM/W；
- ▶ AC100-277V输入恒压恒流电源驱动，具有短路/过压/过流/过温保护；
- ▶ 高纯度铝一体压铸，IP65设计，表面阳极氧化处理，耐高温耐腐蚀，散热筋采用微散热处理，提高散热能力；
- ▶ Using SMD3030 lamp beads, high light efficiency, and high CR The whole lamp light efficacy is up to 160-190lm/W.
- ▶ AC100-277V input constant voltage and constant power supply drive, with short circuit/overvoltage/overcurrent/over temperature protection.
- ▶ High purity aluminum integrated die-casting, IP65 design, surface anodizing treatment, high temperature and corrosion resistance, and micro heat dissipation treatment for heat dissipation ribs to improve heat dissipation capacity.

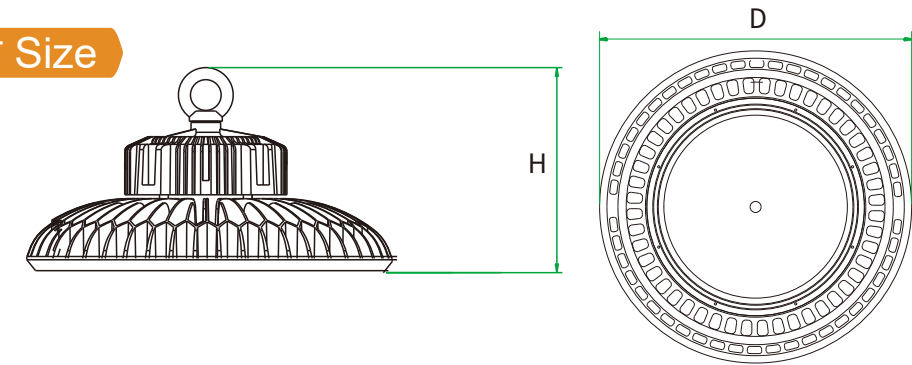
应用范围 Application scope

广泛应用于高棚厂房、车间、仓库、物流中心、展览馆、体育馆、造船厂、矿山、公路收费站、加油站、超市、农贸市场等其他需要照明的场所。
Widely used in high-rise factories, workshops, warehouses, logistics centers, exhibition halls, sports venues, shipyards, mines, highway toll stations, gas stations, supermarkets, farmers' markets and other places that require lighting.

光束角度 Light Distribution Curves



产品尺寸 Size



产品参数 Specifications



	60W	100W	150W	200W	300W
功率 Power	60W	100W	150W	200W	300W
光效 Efficacy	130lm/W, 160lm/W, 190lm/W				
尺寸 Size(mm)	D235*H112	D280*H176	D340*H182	D400*H186	D460*H238
净重 K.G.	1.9	2.5	3.7	5.5	9.5
输入电压 Input voltage	AC100-277V				
驱动效率 Driving efficiency	>93%		保护 Protection	OTP, OCP, OVP, SCP	
功率因素 PF	>0.97		总谐波失真 THD	<15	
LED	三安San'an/Lumileds		色温 CCT	2700~6500K	
色容差 SDCM	<6		显指 CRI	≥70Ra	
防护等级 IP Grade	IP65		防撞等级 IK Grade	IK08	
涌浪保护 Surge Protection	6KV		光束角度 Beam Angle	60°/90°/120°	
导热系数 Thermal Conductivity	96 W/m·K				
工作温度 Work Temp	-40~+60°C				
LED结温度 LED Junction Temp	≤ 80°C				
使用寿命 Life span	>50,000H				
安全认证 Security Requirement	CE				
环境指令 Environmental Directives	RoHS				
产品材料 Product Material					
电源线 Power Wire	外壳材质 Body material		电子安全等级 Electronic security level		
电缆 Cable(3*0.75mm²) L=0.3m	铝 Aluminum housing+PC		Class I		

UFO工矿灯-B/ UFO LED High Bay Light-B



产品特点 Product Features

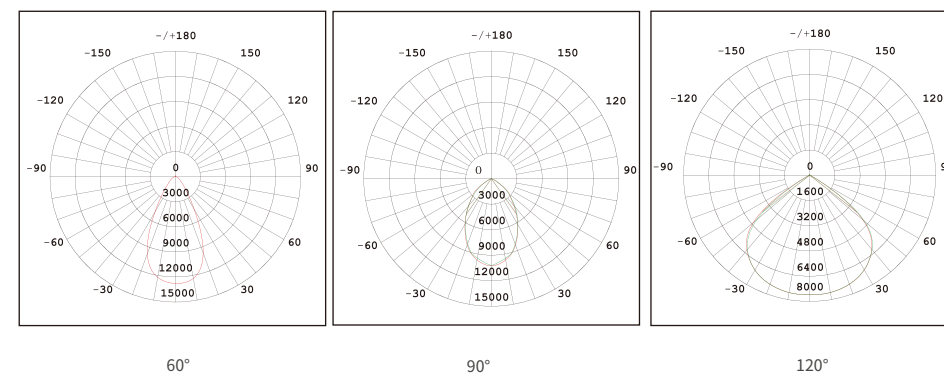
- ▶ 整灯光效160-200lm/W;
- ▶ 高亮度led光源三安或Lumileds SMD 2835, 光衰减小;
- ▶ 采用优质UV材料PC透镜, 耐高温, 不泛黄;
- ▶ 60°/90°/120°光束角度, 满足不同的照明应用;
- ▶ Whole lamp light efficiency 160-200lm/W.
- ▶ High bright led lights source San'an or Lumileds SMD 2835, small light decay.
- ▶ Adopt high quality UV material PC lens, high temperature resistance, no yellowing.
- ▶ 60°/90°/120° beam angles, meets different lighting applications.

应用范围 Application scope

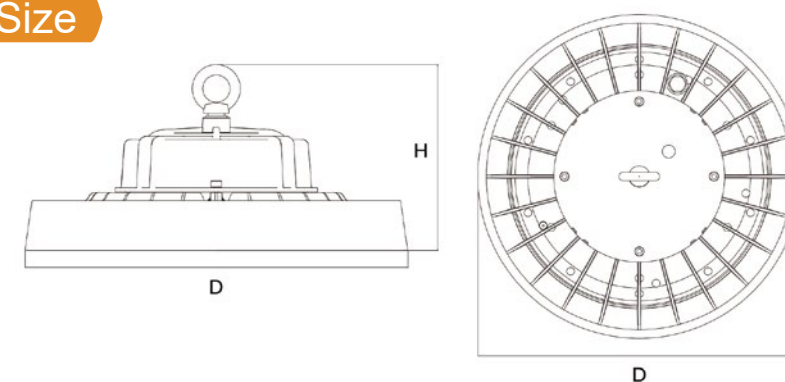
广泛应用于高棚厂房、车间、仓库、物流中心、展览馆、体育馆、造船厂、矿山、公路收费站、加油站、超市、农贸市场等其他需要照明的场所。

Widely used in high-rise factories, workshops, warehouses, logistics centers, exhibition halls, sports venues, shipyards, mines, highway toll stations, gas stations, supermarkets, farmers' markets and other places that require lighting.

光束角度 Light Distribution Curves



产品尺寸 Size

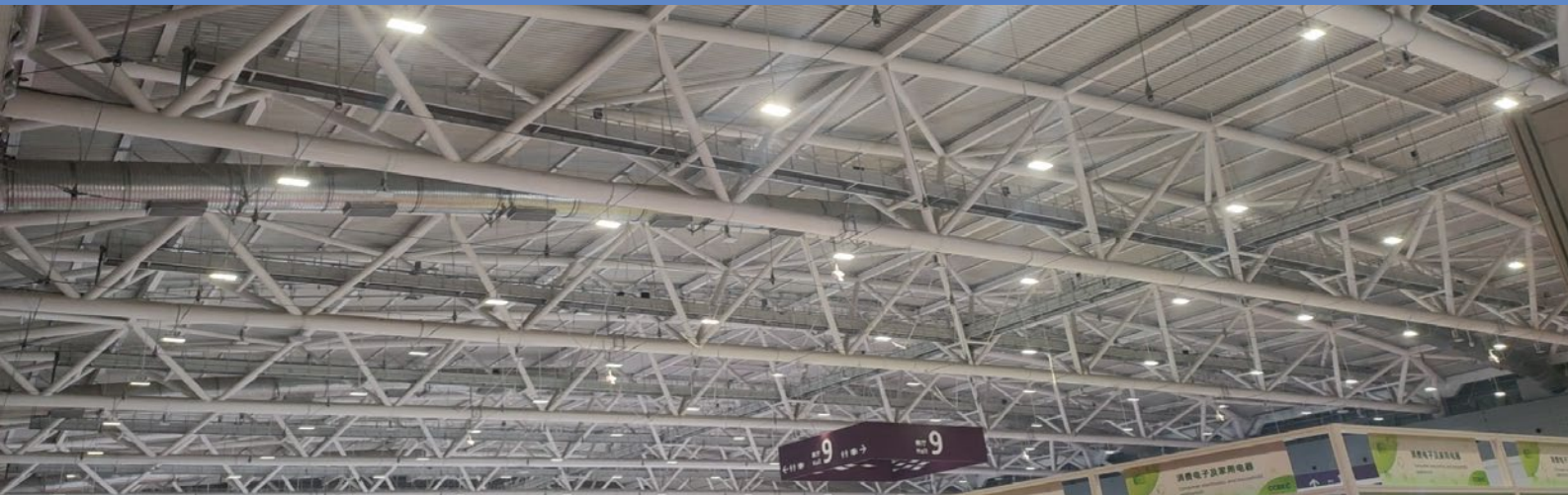


产品参数 Specifications



	100W	150W	200W	240W
功率 Power	100W	150W	200W	240W
光效 Efficacy	16000lm	24000lm	32000lm	38400lm
尺寸 Size(mm)	D241*H150mm	D298*H165mm	D350*H170mm	D350*H170mm
净重 K.G.	1.8kg	2.2kg	3.1kg	3.1kg
输入电压 Input voltage	AC100-277V			
驱动效率 Driving efficiency	>93%	保护 Protection		OTP, OCP, OVP, SCP
功率因素 PF	>0.95	总谐波失真 THD		<15
LED	三安San'an/Lumileds 2835		色温 CCT	2700~6500K
色容差 SDCM	<6		显指 CRI	≥70Ra
防护等级 IP Grade	IP65		防撞等级 IK Grade	IK08
涌浪保护 Surge Protection	4KV		光束角度 Beam Angle	60°/90°/120°
导热系数 Thermal Conductivity	96 W/m·K			
工作温度 Work Temp	-40~+60°C			
LED结温度 LED Junction Temp	≤80°C			
使用寿命 Life span	>50,000H			
安全认证 Security Requirement	CE			
环境指令 Environmental Directives	RoHS			
产品材料 Product Material				
电源线 Power Wire	外壳材质 Body material		电子安全等级 Electronic security level	
电缆 Cable(3*0.75mm ²) L=0.3m	铝 Aluminum housing+PC		Class I	

UFO微波感应工矿灯-H/ UFO LED High Bay Light-H



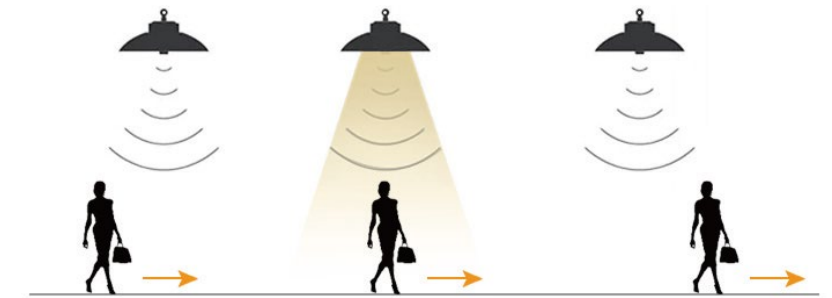
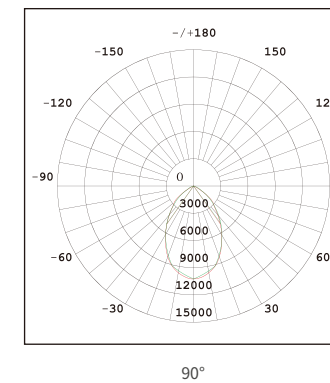
产品特点 Product Features

- ▶ 采用大品牌高效LED光源, 整灯光效160-200LM/W, 高光效低光衰;
- ▶ 当微波传感器感应到人行走时, 灯具的工作亮度到100%;
- ▶ 此时灯具感应不到人行走, 会在10秒后进入等待亮度50%/30%/20%;
- ▶ 20秒后进入未感应亮度为0%;
- ▶ Using a large brand of high-light LED light sources, the whole lighting effect is 160-200lm/W, High light efficiency and low light decay.
- ▶ When the microwave sensor senses a person walking, the working brightness of the lamp reaches 100%.
- ▶ When the lamp can not sense human movement, and after 10 seconds, the light brightness will be decreased by 50%-30%-20%.
- ▶ After 20 seconds, the light brightness will reduced to 0%.

应用范围 Application scope

广泛适用于高棚厂房、车间、仓库、展览馆、体育馆、候车室、车站机场、商场、大卖场、户外、建筑等场所的照明。
It is widely used for lighting in high shed factories, workshops, warehouses, exhibition halls, stadiums, waiting room, stations, airports, shopping malls, hypermarkets, outdoor, buildings and other places.

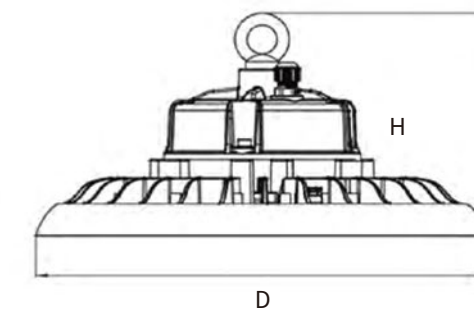
光束角度 Light Distribution Curves



It will light up 100% once you walk in the sensor area.
当你进入传感器区域时, 它将100%点亮

10 seconds after you walk out of the sensing area, the light brightness will be reduced to 20%, 30% or 50%.
走出感应区域10秒后, 灯光亮度将降低至20%、30%或50%的照明

产品尺寸 Size



产品参数 Specifications



	100W	150W	200W	300W
功率 Power	100W	150W	200W	300W
光效 Efficacy	160~200lm/W			
尺寸 Size(mm)	D260*H150	D310*H156	D355*H161	405*H170
净重 K.G.	1.5	2.2	2.9	4.5
输入电压 Input voltage	AC100-277V			
驱动效率 Driving efficiency	>93%	保护 Protection		OTP, OCP, OVP, SCP
功率因素 PF	>0.97	总谐波失真 THD		<15
LED	三安San'an/Lumileds 2835		色温 CCT	2700~6500K
色容差 SDCM	<6		显指 CRI	≥70Ra
防护等级 IP Grade	IP65		防撞等级 IK Grade	IK08
涌浪保护 Surge Protection	6KV		光束角度 Beam Angle	90°/120°
感应距离 Induction Distance	12~15m			
导热系数 Thermal Conductivity	96W/m·K			
工作温度 Work Temp	-40~+60°C			
LED结温度 LED Junction Temp	≤80°C			
使用寿命 Life span	>50,000H			
安全认证 Security Requirement	CE			
环境指令 Environmental Directives	RoHS			
产品材料 Product Material				
电源线 Power Wire	外壳材质 Body material	电子安全等级 Electronic security level		
电缆 Cable(3*0.75mm²) L=0.3m	铝 Aluminum housing+PC	Class I		

LED工矿灯-A/ LED High Bay Light-A



产品特点 Product Features

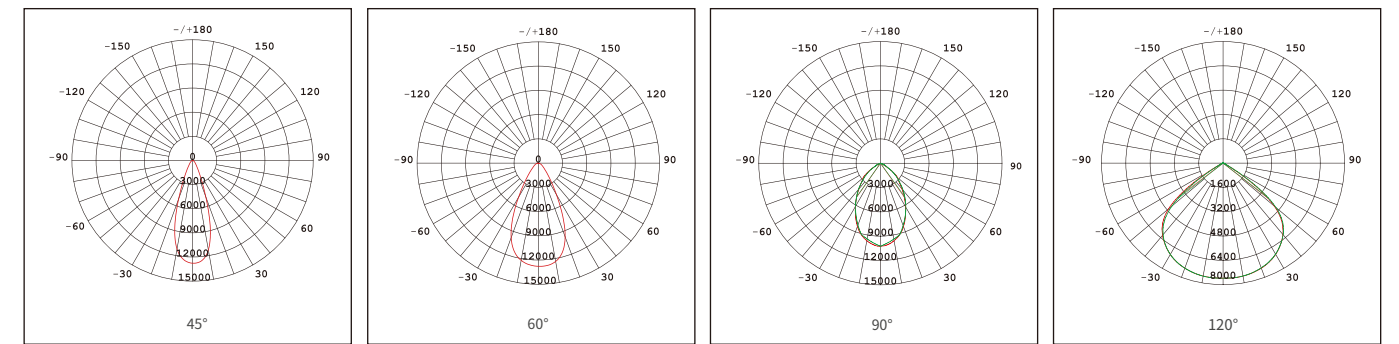
- ▶ 采用SMD3030灯珠，高光效，高显指，整灯光效高达130LM/W；
- ▶ AC100-277V输入恒压恒流电源驱动，具有短路/过压/过流/过温保护；
- ▶ 3D立体散热设计，散热模组造型完美又隐含风道，内外通透，与鳍片上下风道形成3D立体散热，最大程度散发热量；
- ▶ Use SMD3030 LED, high light efficacy, high CRI, the lamp fixture light efficacy is up to 130lm/w.
- ▶ AC100-277V input constant voltage and constant power supply drive, with short circuit/overvoltage/overcurrent/over temperature protection.
- ▶ 3D three-dimensional heat dissipation design, transparent inside and outside, forming 3D three-dimensional heat dissipation with the upper and lower air ducts of the fins, maximizing heat dissipation;

应用范围 Application scope

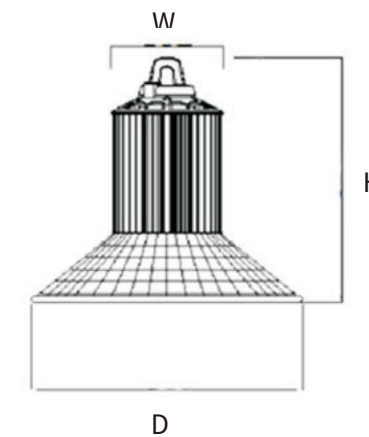
广泛应用于高棚厂房、车间、仓库、物流中心、展览馆、体育馆、造船厂、矿山、公路收费站、加油站、超市、农贸市场等其他需要照明的场所。

Widely used in high-rise factories, workshops, warehouses, logistics centers, exhibition halls, sports venues, shipyards, mines, highway toll stations, gas stations, supermarkets, farmers' markets and other places that require lighting.

光束角度 Light Distribution Curves



产品尺寸 Size

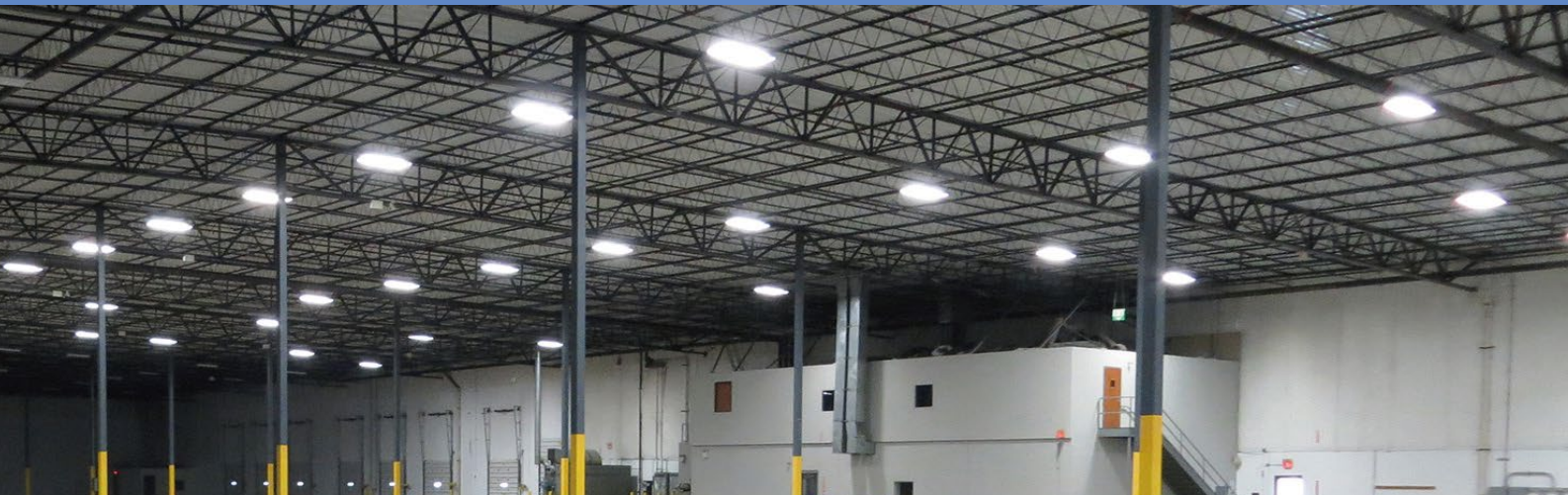


产品参数 Specifications



功率 Power	50W	100W	150W	200W	250W
光效 Efficacy	120lm/W				
尺寸 Size(mm)	D440*H372	D440*H410	D440*H450	D440*H523	D440*H445
净重 K.G.	2.8	4.0	4.4	5.0	7.5
输入电压 Input voltage	AC100-277V				
驱动效率 Driving efficiency	>93%	保护 Protection		OTP, OCP, OVP, SCP	
功率因素 PF	>0.97	总谐波失真 THD		<15	
LED	三安San'an/Lumileds 3030		色温 CCT		2700~6500K
色容差 SDCM	<6		显指 CRI		≥80Ra
防护等级 IP Grade	IP54		防撞等级 IK Grade		IK08
涌浪保护 Surge Protection	6KV		光束角度 Beam Angle		45°/60°/90°/120°
导热系数 Thermal Conductivity			96 W/m·K		
工作温度 Work Temp			-40~+60 °C		
LED结温度 LED Junction Temp			≤ 80°C		
使用寿命 Life span			≥50,000 Hrs (LM70@35°C)		
安全认证 Security Requirement			CE		
环境指令 Environmental Directives			RoHS		
产品材料 Product Material					
电源线 Power Wire	外壳材质 Body material		电子安全等级 Electronic security level		
电缆 Cable(3*0.75mm²) L=0.3m	铝 Aluminum housing+PC		Class I		

LED工矿灯-B/ LED High Bay Light-B



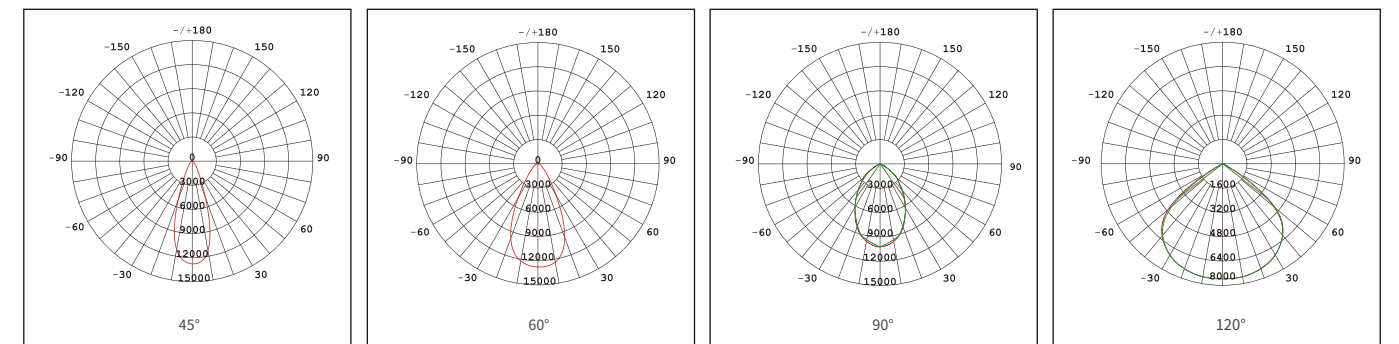
产品特点 Product Features

- ▶ 采用SMD3030灯珠，高光效，高显指，整灯光效高达130LM/W；
- ▶ AC100-277V输入恒压恒流电源驱动，具有短路/过压/过流/过温保护；
- ▶ 纯铜热管铆接技术，将光源产生的热量通过高效热管传导至模组化散热体上，迅速降低光源温度，延长光源使用寿命；
- ▶ Use SMD3030 LED, high light efficacy, high CRI, the lamp fixture light efficacy is up to 130lm/w.
- ▶ AC100-277V input constant voltage and constant power supply drive, with short circuit/overvoltage/overcurrent/over temperature protection.
- ▶ The pure copper heat pipe riveting technology transfers the heat generated by the light source through an efficient heat pipe to the modular heat dissipation body, quickly reducing the temperature of the light source and extending its service life;

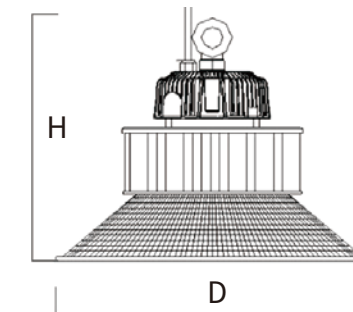
应用范围 Application scope

广泛应用于高棚厂房、车间、仓库、物流中心、展览馆、体育馆、造船厂、矿山、公路收费站、加油站、超市、农贸市场等其他需要照明的场所。
Widely used in high-rise factories, workshops, warehouses, logistics centers, exhibition halls, sports venues, shipyards, mines, highway toll stations, gas stations, supermarkets, farmers' markets and other places that require lighting.

光束角度 Light Distribution Curves



产品尺寸 Size



产品参数 Specifications



	60W	100W	150W	200W	240W
功率 Power	60W	100W	150W	200W	240W
光效 Efficacy	130lm/W				
尺寸 Size(mm)	D350*H252	D350 *H272	D350*H302	D350*H352	D350*H402
净重 K.G.	2.4	3.4	4.0	5.5	6.2
输入电压 Input voltage	100-277V				
驱动效率 Driving efficiency	>93%		保护 Protection		OTP, OCP, OVP, SCP
功率因素 PF	>0.97		总谐波失真 THD		15%<THD<20%
LED	三安San'an/Lumileds		色温 CCT		2700~6500K
色容差 SDCM	<6		显指 CRI		≥ 80 Ra
防护等级 IP Grade	IP54		防撞等级 IK Grade		IK08
涌浪保护 Surge Protection	6KV		光束角度 Beam Angle		45°/60°/90°/120°
导热系数 Thermal Conductivity	96 W/m·K				
工作温度 Work Temp	- 40~+60°C				
LED结温度 LED Junction Temp	≤80°C				
使用寿命 Life span	≥50,000 Hrs (LM70@35°C)				
安全认证 Security Requirement	CE				
环境指令 Environmental Directives	RoHS				
产品材料 Product Material					
电源线 Power Wire	外壳材质 Body material		电子安全等级 Electronic security level		
电缆 Cable(3*0.75mm²) L=0.3m	铝 Aluminum housing+PC		Class I		

LED工矿灯-D/ LED High Bay Light-D



产品特点 Product Features

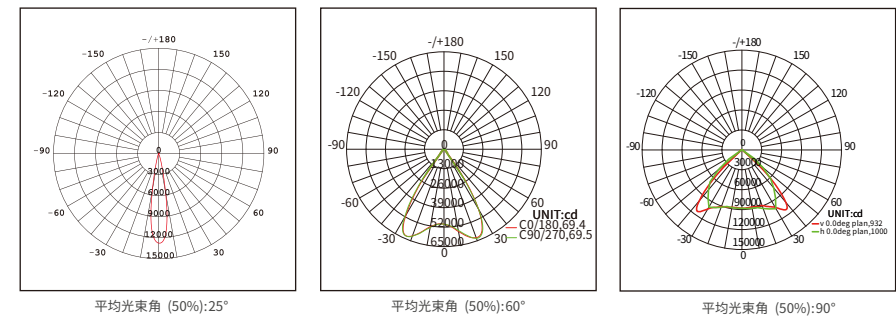
- ▶ 采用SMD3030灯珠, 高光效, 高显指, 整灯光效高达130LM/w;
- ▶ AC100-277V输入恒压恒流电源驱动, 具有短路/过压/过流/过温保护;
- ▶ 采用鳍片散热技术将光源产生的热量通过鳍片快速散热, 迅速降低光源温度, 延长光源, 使用寿命;
- ▶ Use SMD3030 LED, high light efficacy, high CRI, the lamp fixture light efficacy is up to 130lm/w.
- ▶ AC100-277V input constant voltage and constant power supply drive, with short circuit/overvoltage/overcurrent/over temperature protection.
- ▶ Using fin heat dissipation technology to quickly dissipate the heat generated by the light source through fins, quickly overcurrent/over temperature protection.

应用范围 Application scope

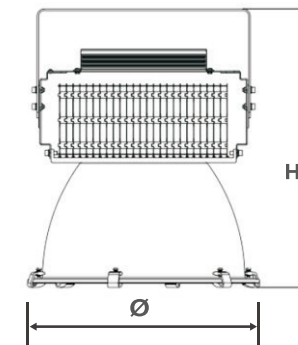
广泛应用于工业厂房、体育馆、亮化工程、广场、高尔夫球场、船舶、机场、码头、地铁、立交桥、户外、广告、地标建筑等外墙全景照明。

Widely used in industrial factories, sports venues, lighting projects, squares, golf courses, ships, airports, docks, subways, overpasses, outdoor, advertising, landmark buildings, and other exterior wall panoramic lighting.

光束角度 Light Distribution Curves



产品尺寸 Size

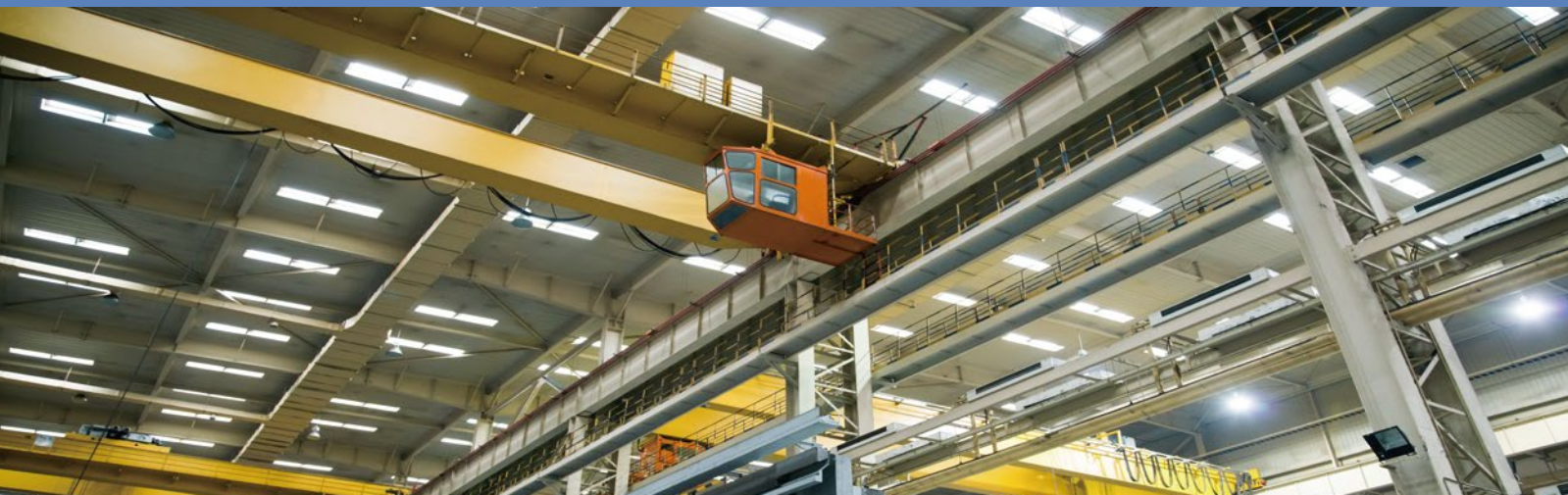


产品参数 Specifications



	100W	200W	300W	400W	500W
功率 Power	100W	200W	300W	400W	500W
总流明 Lumen	13000lm	26000lm	39000lm	52000lm	65000lm
尺寸 Size(mm)	Φ368*H404	Φ368*H454	Φ368*H456	Φ416*H496	Φ416*H498
光效 Efficacy	130lm/W				
色温 CCT	2700-6500K				
显指 CRI	≥80Ra				
LED	三安San'an/Lumileds/Osram 3030				
功率因素 PF	>0.95				
输入电压 Input voltage	AC100-277V				
总谐波失真 THD	15%<THD<20%				
光束角度 Beam Angle	25°, 60°, 90°				
工作温度 Work Temp	-40~+60°C				
LED结温度 LED Junction Temp	≤80°C				
湿度 Humidity	25%~90% RH, 相对湿度, 无冷凝 no condensing				
使用寿命 Life span	≥50,000 Hrs (LM70@35°C)				
防护等级 IP Grade	IP66				
防撞等级 IK Grade	IK08				
产品材料 Product Material					
电源线 Power Wire	外壳材质 Body material		电子安全等级 Electronic security level		
电缆 Cable(3*1mm ²) L=0.3m	铝+玻璃 Aluminum housing+glass		Class I		

LED线条工矿灯-A/LED Line High Bay Light-A



支架安装
Bracket installation



吊绳安装
Rope installation

产品特点 Product Features

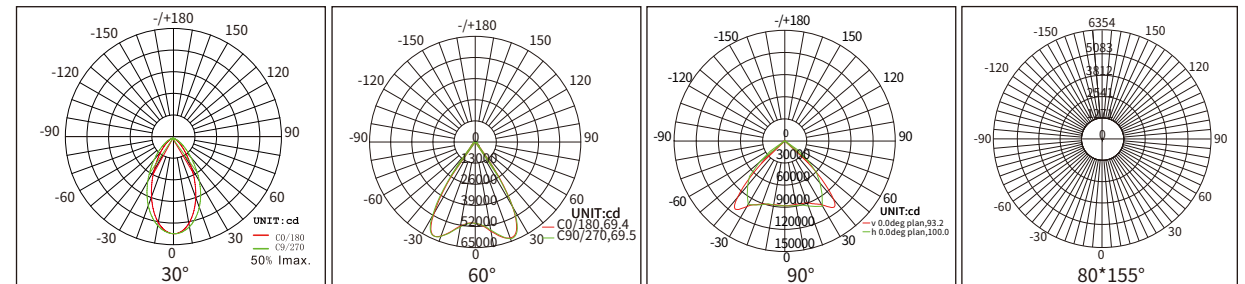
- ▶ 采用SMD3030灯珠, 高光效, 高显指, 整灯光效高达130LM/W;
- ▶ AC100-277V输入恒压恒流电源驱动, 具有短路/过压/过流/过温保护;
- ▶ 1060铝材, 模块设计, 外表氧化喷粉处理, 整灯IP65, 防水防尘, 耐腐蚀;
- ▶ 多模组3D立体散热, 空气对流风道设计, 散热均匀, 最大程度散发热量;
- ▶ Use SMD3030 LED, high light efficacy, high CRI, the lamp fixture light efficacy is up to 130lm/w.
- ▶ AC100-277V input constant voltage and constant power supply drive, with short circuit/overvoltage/overcurrent/over temperature protection.
- ▶ 1060 aluminum material, surface oxidation and powder spraying treatment, whole lamp IP65, waterproof and dustproof, corrosion resistant.
- ▶ Multi mode 3D three-dimensional heat dissipation, air convection duct design, uniform heat dissipation, and maximum heat dissipation.

应用范围 Application scope

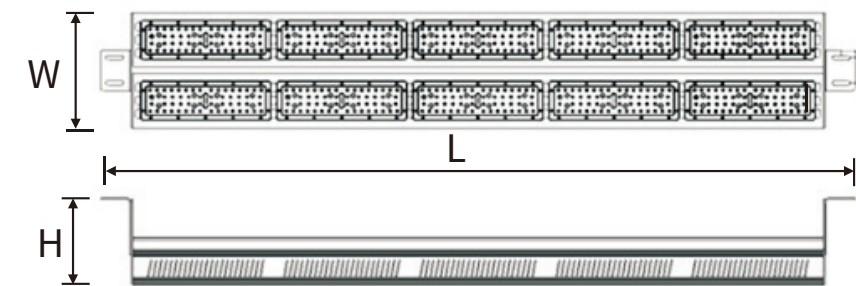
广泛应用于高棚厂房、车间、仓库、物流中心、展览馆、体育馆、造船厂、矿山、公路收费站、加油站、超市、农贸市场等其他需要照明的场所。

Widely used in high-rise factories, workshops, warehouses, logistics centers, exhibition halls, sports venues, shipyards, mines, highway toll stations, gas stations, supermarkets, farmers' markets and other places that require lighting.

光束角度 Light Distribution Curves



产品尺寸 Size

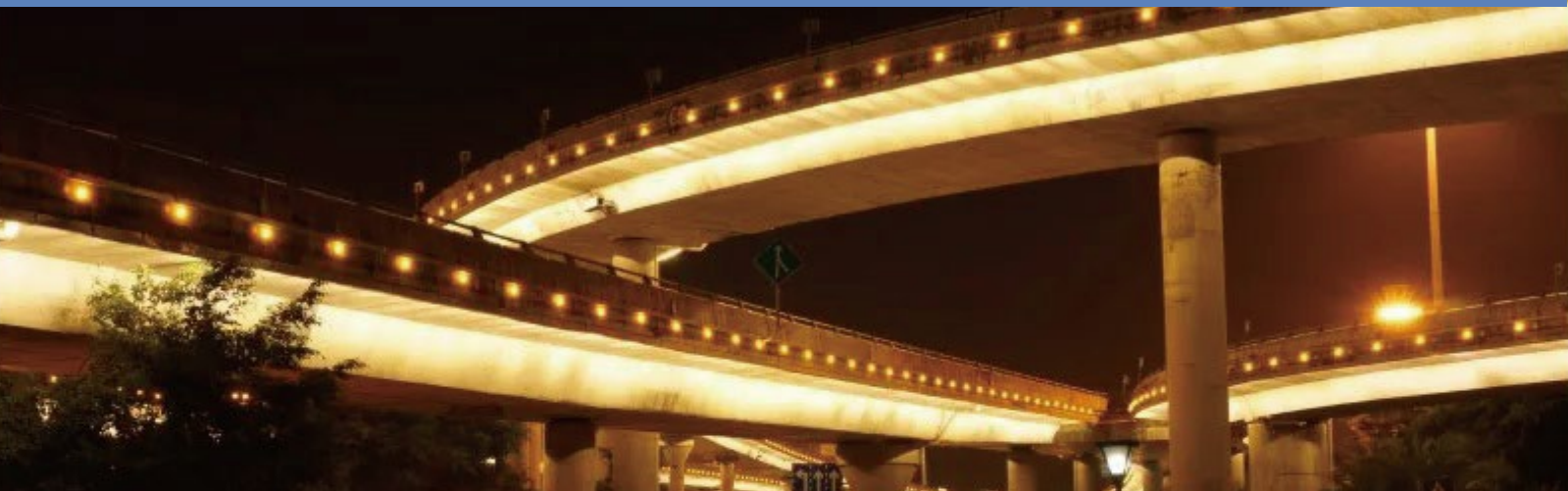


产品参数 Specifications



	50W	100W	150W	200W	250W	300W	400W	500W
功率 Power	50W	100W	150W	200W	250W	300W	400W	500W
总流明 Lumen	6500lm	13000lm	19500lm	26000lm	32500lm	39000lm	52000lm	65000lm
尺寸 Size(mm)	L353*W115*H144	L620*W115*H144	L887*W115*H144	L1154*W115*H144	L1421*W115*H144	L947*W230*H173	L1214*W230*H173	L1481*W230*H173
净重 N.G.	1.7	3.4	4.4	5.3	6.3	9	11	13
光效 Efficacy	130lm/W							
色温 CCT	3000K~6500K							
显指 CRI	≥80Ra							
输入电压 Input voltage	AC100-277V							
光束角度 Beam Angle	30°/60°/90°/60°120°/80°155°							
外壳材质 Body material	铝 Aluminum housing+PC							
工作温度 Work Temp	-40°C ~ + 60°C							
防护等级 IP Grade	IP65							
使用寿命 Life span	≥50,000 Hrs (LM70@35°C)							
电源线 Power Wire	电缆 Cable(3*1mm²) L=0.3m							

LED投光灯-H/ LED Flood Light-H



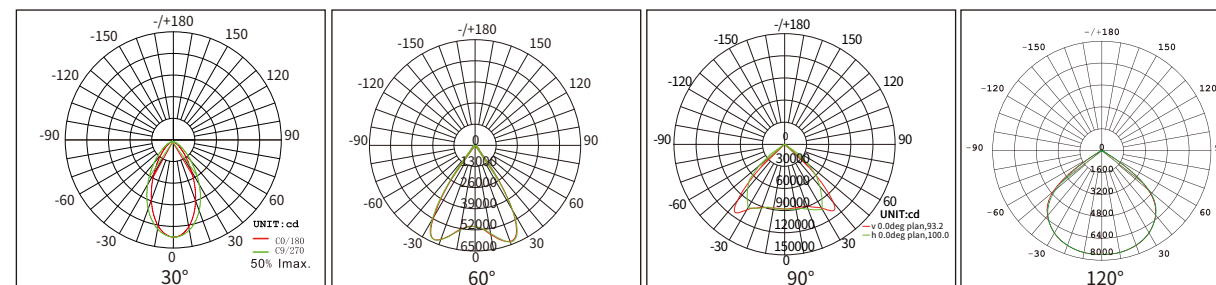
产品特点 Product Features

- ▶ 采用国际一线大品牌灯珠高光效、高显指、低光衰、使用寿命长;
- ▶ 多种透镜角度, 适用不同场所, 30°/60°/90°/120°;
- ▶ 一体压铸, 加厚散热筋条, 将光源产生的热量快速均匀散发出去, 延长使用寿命;
- ▶ 玻璃正面卡扣设计, IP66防水防尘, 新颖美观, 卡扣可选蓝色、黑色;
- ▶ Adopting international first-class brand lamp beads with high luminous efficiency, high finger display, and low light attenuation, with a long service life.
- ▶ Multiple lens angles, suitable for different locations, 30°/60°/90°/120°.
- ▶ One body die casting, thickened heat dissipation ribs, quickly and evenly dissipate the heat generated by the light source, extending its service life.
- ▶ Glass front buckle design, IP66 waterproof and dustproof.

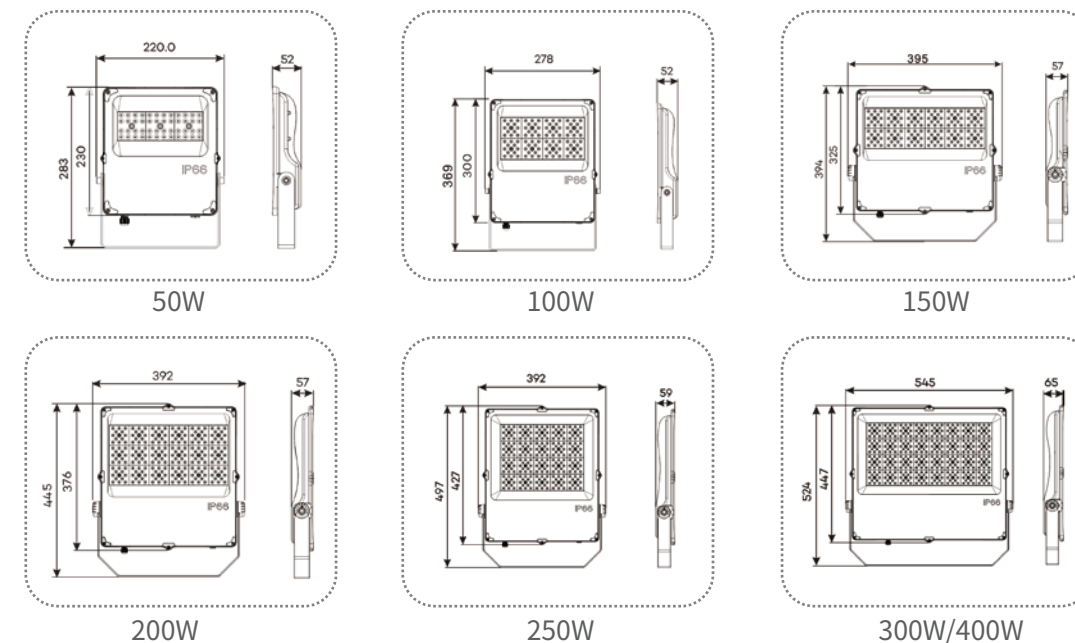
应用范围 Application scope

广泛应用于商场、展览馆、停车场、运动场、体育馆、广告牌、公园、雕塑、绿色照明工程、建筑立面以及公共走廊楼梯过道等室内外照明。
Widely used in shopping malls, exhibition halls, parking lots, sports fields, gyms, billboards, parks, sculptures, green lighting projects, building facades, as well as indoor and outdoor lighting for public corridors, staircases, and corridors.

光束角度 Light Distribution Curves



产品尺寸 Size



产品参数 Specifications



	30W	50W	100W	150W	200W	250W	300W	400W
功率 Power	30W	50W	100W	150W	200W	250W	300W	400W
总流明 Lumen	3600lm	6000lm	12000lm	18000lm	24000lm	30000lm	36000lm	48000lm
光效 Efficacy	120lm/W							
色温 CCT	2700-6500K							
显指 CRI	≥80Ra							
LED	三安 San'an, Lumileds/Osram 3030							
功率因素 PF	>0.95							
输入电压 Input voltage	AC100-277V							
总谐波失真 THD	15%<THD<20%							
净重 N.G.	1.3	1.7	2.8	4.8	5.4	6.2	9.8	10.2
尺寸 Size(mm)	242*169*51	283*220*52	369*278*52	394*395*57	445*392*57	497*392*59	524*545*65	524*545*65
光束角度 Beam Angle	30°/ 60°/ 90°/ 120°							
工作温度 Work Temp	-40~+60°C							
LED结温度 LED Junction Temp	≤80°C							
湿度 Humidity	25%~90% RH, 相对湿度, 无冷凝 no condensing							
使用寿命 Life span	≥50000H							
防护等级 IP Grade	IP66							
防撞等级 IK Grade	IK08							
外壳材质 Body material								
电源线 Power Wire	产品材料 Product Material			电子安全等级 Electronic security level				
电缆 Cable(3*1mm ²) L=0.5m	铝+PC+玻璃 Aluminum+PC+Glass			Class I				

LED隧道灯-F/ LED tunnel light-F



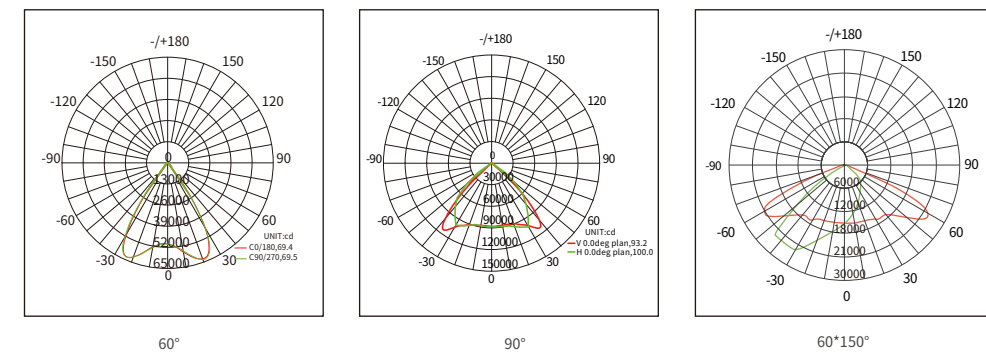
产品特点 Product Features

- ▶ 光源选用SMD 3030灯珠,整灯光效可达130LM/W;
- ▶ 采用高透光率PC透镜,出光均匀柔和,透光率>92%;
- ▶ AC100-277V输入恒压恒流电源驱动,具有短路/过压/过流/过温保护;
- ▶ 采用鳍片散热技术,将光源产生的热量通过大量鳍片快速散热,迅速降低光源温度,延长光源使用寿命;
- ▶ The light source adopts SMD 3030 lamp beads, and the overall lighting effect can reach 130LM/W.
- ▶ Adopting a high transmittance PC lens, the light output is uniform and soft, with a transmittance of >92%.
- ▶ AC100-277V input constant voltage and constant current power supply drive, with short circuit/overvoltage/overcurrent/over temperature protection.
- ▶ Adopting fin heat dissipation technology, the heat generated by the light source is quickly dissipated through a large number of fins, quickly reducing the temperature of the light source and extending its service life.

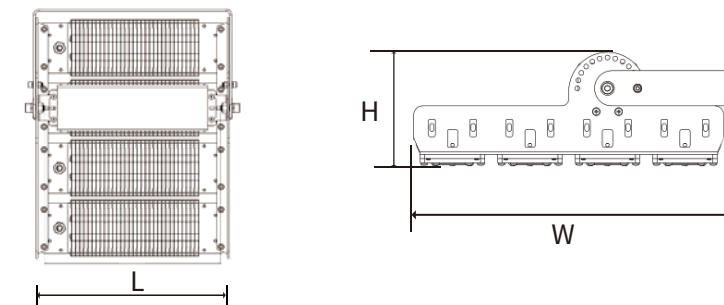
应用范围 Application scope

广泛应用于公路隧道照明、市政景观照明、建筑照明、仓库、高棚厂房、户外广告等其他需要户外照明的场所。
Widely used in highway tunnel lighting, municipal landscape lighting, building lighting, warehouses, high-rise factories, outdoor advertising and other places that require outdoor lighting.

光束角度 Light Distribution Curves



产品尺寸 Size



产品参数 Specifications

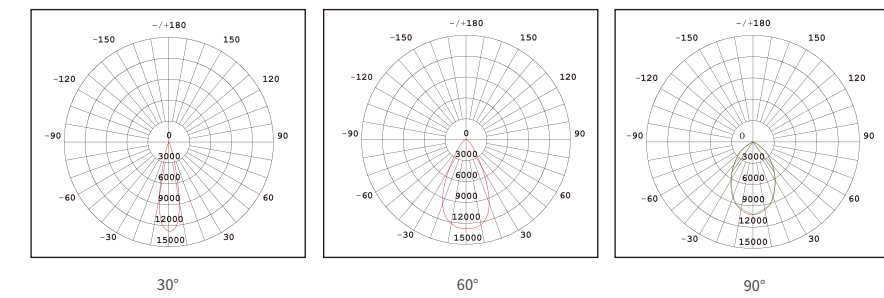


功率 Power	50W	100W	150W	200W	250W	300W	400W	500W
总流明 Lumen	6500	13000	19500	26000	30000	39000	52000	65000
光效 Efficacy	130lm/W							
色温 CCT	2700-6500K							
显指 CRI	≥80Ra							
LED	三安San'an/Lumileds/Osram 3030							
功率因素 PF	>0.97							
输入电压 Input voltage	AC100-277V							
总谐波失真 THD	15%<THD<20%							
净重 N.G.	3.2	4	5.2	6.4	7.5	8.8	11.2	13.8
尺寸 Size(mm)	315*93*130	315*238*130	315*283*130	315*360*130	315*440*130	599*283*130	599*360*130	599*440*130
光束角度 Beam Angle	60°/90°/60°*150°							
工作温度 Work Temp	-40~+60°C							
湿度 Humidity	15%~90% RH, 相对湿度, 无冷凝 no condensing							
外部 Surface	粉末喷涂 Sprayed with outdoor special powder							
使用寿命 Life span	≥50,000 Hrs (LM70@35°C)							
防护等级 IP Grade	IP66							
防撞等级 IK Grade	IK08							
产品材料 Product Material								
电源线 Power Wire	外壳材质 Body material			电子安全等级 Electronic security level				
电缆 Cable(3*1mm²) L=0.5m	铝 Aluminum housing+PC			Class I				

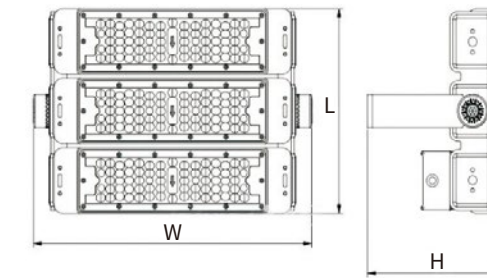
LED隧道灯-G/ LED tunnel light-G



光束角度 Light Distribution Curves



产品尺寸 Size



产品参数 Specifications



	50W	100W	150W	200W	250W	300W	400W
功率 Power	50W	100W	150W	200W	250W	300W	400W
总流明 Lumen	6500	13000	19500	26000	32500	39000	52000
光效 Efficacy	130lm/W						
色温 CCT	2700-6500K						
显指 CRI	≥80Ra						
LED	三安San'an/Lumileds/Osram 3030						
功率因素 PF	>0.97						
输入电压 Input voltage	AC100-277V						
总谐波失真 THD	15%<THD<20%						
净重 N.G.	3	4.5	6	7.1	8.3	10.5	12.6
尺寸 Size(mm)	175*350 75	250*350 75	340*350 75	410*350 75	485*350 75	575*350 75	665*370 75
光束角度 Beam Angle	30°/60°/90°/70°145°						
工作温度 Work Temp	-40~+60℃						
湿度 Humidity	25%~90% RH, 相对湿度, 无冷凝 no condensing						
外部 Surface	粉末喷涂 Sprayed with outdoor special powder						
使用寿命 Life span	≥50,000 Hrs (LM70@35℃)						
防护等级 IP Grade	IP66						
防撞等级 IK Grade	IK08						
产品材料 Product Material							
电源线 Power Wire	外壳材质 Body material		电子安全等级 Electronic security level				
电缆 Cable(3*1mm ²) L=0.5m	铝 Aluminum housing+PC		Class I				



二模组:100W

三模组:150W

四模组:200W

产品特点 Product Features

- 光源选用SMD 3030灯珠, 80显指, 整灯光效130LM/W;
- AC100-277V输入恒压恒流电源驱动, 具有短路/过压/过流/过温保护;
- 采用高透光率PC透镜, 出光均匀柔和, 透光率>92%;
- 防护等级IP66, 表面粉烤工艺, 耐腐蚀性强, 适合恶劣户外环境;
- The light source adopts SMD 3030 lamp beads, with 80 display fingers, and the overall lighting effect is 130LM/W.
- AC100-277V input constant voltage and constant current power supply drive, with short circuit/overvoltage/overcurrent /over temperature protection.
- Adopting a high transmittance PC lens, the light output is uniform and soft, with a transmittance of>92%.
- Protection level IP66, surface powder baking process, strong corrosion resistance, suitable for harsh outdoor environments.

应用范围 Application scope

广泛应用于公路隧道照明、市政景观照明、建筑照明、仓库、高棚厂房、户外广告等其他需要户外照明的场所。

Widely used in highway tunnel lighting, municipal landscape lighting, building lighting, warehouses, high-rise factories, outdoor advertising and other places that require outdoor lighting.

LED路灯-B/ LED Street Light-B



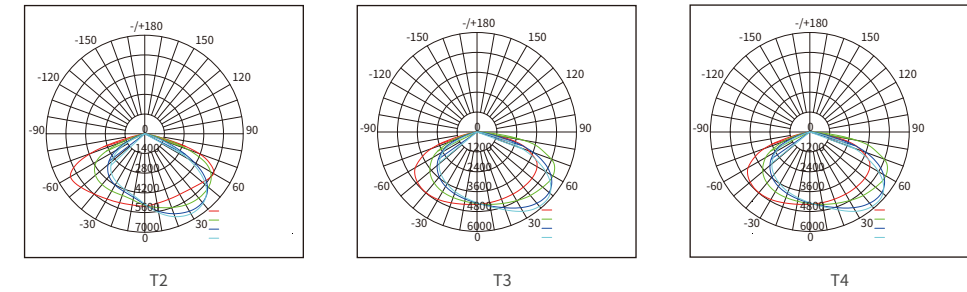
产品特点 Product Features

- ▶ 采用大功率LED贴片(3030)光源, 电源可匹配任何品牌;
- ▶ 灯壳采用铝压铸成型, 通过合理的结构设计有效的散热和防水、防尘, 表面进行了耐紫外线抗腐蚀喷粉处理, 整体灯具达到IP66标准;
- ▶ 散热器与灯壳一体化设计, LED 直接与外壳紧密相接, 通过外壳散热翼与空气对流散热;
- ▶ 拥有外观和实用新型专利, 知识产权保护卖家无后顾之忧;
- ▶ Adopting high-power LED chip (3030) light source, the power supply can match any brand.
- ▶ Adopting aluminum die-casting molding, reasonable structural design, effective heat dissipation and waterproof and overall lighting fixtures meeting IP66 standards.
- ▶ The integrated design of the heat sink and lamp housing allows the LED to be directly connected to the housing and dissipate heat by convection with the air through the housing fins.
- ▶ Possessing patents for appearance and utility models, sellers have no worries about intellectual property protection.

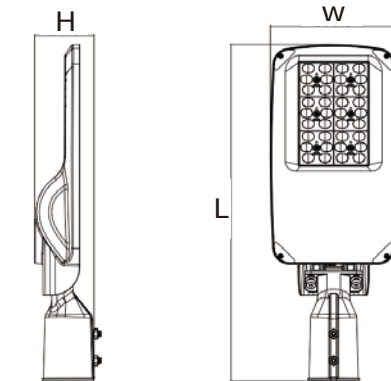
应用范围 Application scope

广泛应用于主干道、高速公路、市区街道、桥梁、人行过道等道路照明, 以及广场、学校、住宅区、工业区、公园等其他需要户外照明的场所。
Widely used for lighting on main roads, highways, urban streets, bridges, pedestrian walkways, and other places that require outdoor lighting such as squares, schools, residential areas, industrial areas, parks, etc.

光束角度 Light Distribution Curves



产品尺寸 Size



产品参数 Specifications



	50W	100W	150W	200W
功率 Power	50W	100W	150W	200W
总流明 Lumen	7000lm	14000lm	21000lm	28000lm
光效 Efficacy	140lm/W			
色温 CCT	2700-6500K			
LED	三安San'an/Lumileds/Osram 3030/5050			
显指 CRI	≥80Ra			
功率因素 PF	>0.97			
输入电压 Input Voltage	AC100-277V			
总谐波失真 THD	THD<15%			
净重 N.G.	1.9	2.87	3.82	4.68
尺寸 Size(mm)	L505*W190*H89	L547*W243*H89	L604*W273*H89	L636*W314*H93
光束角度 Beam Angle	T2/T3/T4			
安装孔 Mounting Hole(mm)	Ø65			
工作温度 Work Temp	-40~+60°C			
LED结温度 LED Junction Temp	≤80°C			
湿度 Humidity	15%~90% RH, 相对湿度, 无冷凝 no condensing			
外部 Surface	粉末喷涂 Sprayed with outdoor special powder			
使用寿命 Life Span	≥50,000 Hrs (LM70@35°C)			
浪涌保护 Anti-surating	6KV			
防护等级 IP Grade	IP66			
防撞等级 IK Grade	IK08			
产品材料 Product Material				
电源线 Power Wire	外壳材质 Body Material		电子安全等级 Electronic Security Level	
电缆 Cable(3*1mm²) L=0.5m	铝+PC+玻璃 Aluminum+PC+Glass		Class I	

LED路灯-C/ LED Street Light-C



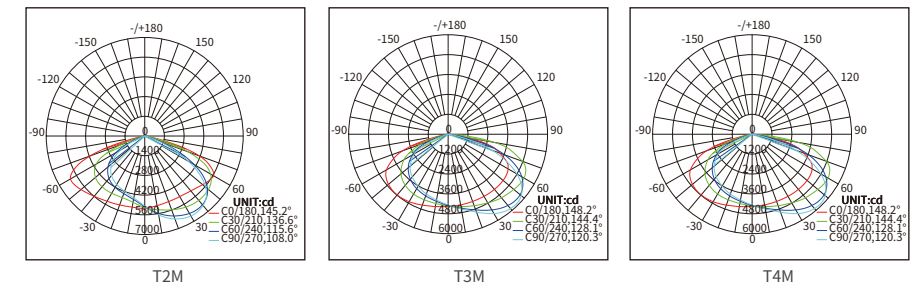
产品特点 Product Features

- ▶ 一体化压铸铝外壳; Integrated die-casting aluminum casing.
- ▶ 高光效,130/150/170lm/W 3种方案可选; High light efficiency, 130/150/170lm/W options available.
- ▶ 0/1-10V调光,时间控制,光感应,物联网控制等功能可选; 0/1-10V dimming, time control, light sensing, IoT control and other optional functions.
- ▶ 扁平蜂窝设计,散热性好; Flat honeycomb design, good heat dissipation.
- ▶ 安装轴角度可安装调节90°/180°; The installation axis angle can be adjusted by 90 °/180 °.
- ▶ 防护等级达到IP66; The protection level reaches IP66.

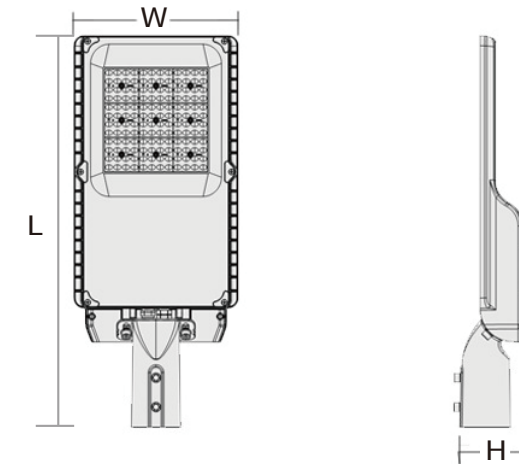
应用范围 Application scope

广泛应用于主干道、高速公路、市区街道、桥梁、人行过道等道路照明,以及广场、学校、住宅区、工业区、公园等其他需要户外照明的场所。
Widely used for lighting on main roads, highways, urban streets, bridges, pedestrian walkways, and other places that require outdoor lighting such as squares, schools, residential areas, industrial areas, parks, etc.

光束角度 Light Distribution Curves



产品尺寸 Size



产品参数 Specifications



功率 Power	50W	100W	150W	200W	240W
总流明 Lumen	6500lm	13000lm	18000lm	26000lm	31200lm
光效 Efficacy	130lm/W				
色温 CCT	2700-6500K				
LED	三安San'an/Lumileds/Osram 3030				
显指 CRI	≥80Ra				
功率因素 PF	>0.97				
输入电压 Input Voltage	AC100-277V				
总谐波失真 THD	THD<15%				
净重 N.G.	2.5	3.9	4.5	5.3	5.5
尺寸 Size(mm)	L515*W190*H98	L575*W242*H109	L615*W262*H110	L685*W287*H110	L685*W287*H110
光束角度 Beam Angle	T2M/T3M/T4M				
安装孔 Mounting Hole(mm)	Ø60				
工作温度 Work Temp	-40~+60°C				
LED结温度 LED Junction Temp	≤80°C				
湿度 Humidity	15%~90% RH, 相对湿度, 无冷凝 no condensing				
外部 Surface	粉末喷涂 Sprayed with outdoor special powder				
使用寿命 Life Span	≥50,000 Hrs (LM70 @ 35°C)				
浪涌保护 Anti-surating	6-10KV				
防护等级 IP Grade	IP66				
防撞等级 IK Grade	IK08				
产品材料 Product Material					
电源线 Power Wire	外壳材质 Body Material		电子安全等级 Electronic Security Level		
电缆 Cable(3*1mm²) L=0.5m	铝+PC+玻璃 Aluminum+PC+Glass		Class I		

LED路灯-G2/LED Street Light-G2



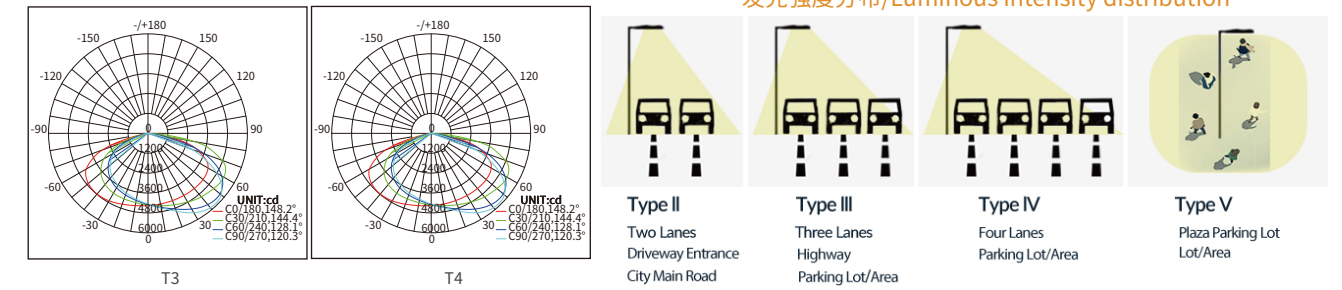
产品特点 Product Features

- ▶ 采用SMD3030灯珠,高光效高显指,整灯光效高达130LM/W;
- ▶ AC100-277V输入恒压恒流电源驱动,具有短路/过压/过流/过温保护;
- ▶ 1060铝材,模块设计,外表氧化喷粉处理,整灯IP66,防水防尘,耐腐蚀;
- ▶ 外形无积灰仿流体动力学设计,简单,大方,自然除尘,散热更快,提高灯具寿命;
- ▶ Using high luminous efficiency SMD3030 lamp beads, the overall lighting efficiency can reach 130LM/W.
- ▶ AC100-277V input constant voltage and constant current power supply drive, with short circuit/overvoltage/overcurrent/over temperature protection.
- ▶ 1060 aluminum material, modular design, surface oxidation and powder spraying treatment, IP66 for the entire lamp, waterproof, dustproof, and corrosion-resistant.
- ▶ The appearance is designed with no dust accumulation and fluid dynamics, natural dust removal, faster heat dissipation, and improved lamp life.

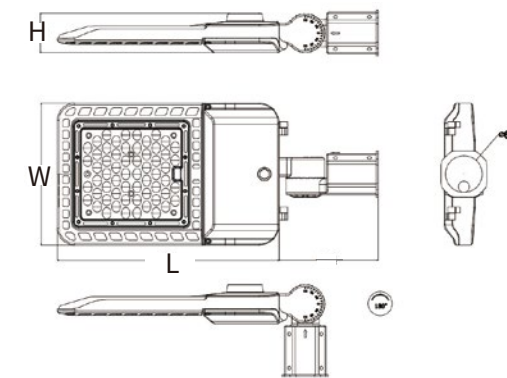
应用范围 Application scope

广泛应用于主干道路、高速公路、市区街道、桥梁、人行过道等道路照明,以及广场、学校、住宅区、工业区、公园等其他需要户外照明的场所。
Widely used for lighting on main roads, highways, urban streets, bridges, pedestrian walkways, and other places that require outdoor lighting such as squares, schools, residential areas, industrial areas, parks, etc.

光束角度 Light Distribution Curves



产品尺寸 Size



产品参数 Specifications



	100W	150W	200W	240W	300W
功率 Power	100W	150W	200W	240W	300W
总流明 Lumen	13000lm	19500lm	26000lm	31200lm	39000lm
光效 Efficacy	130lm/W				
色温 CCT	2700-6500K				
LED	三安San'an/Lumileds/Osram 3030/5050				
显指 CRI	≥80Ra				
功率因素 PF	>0.97				
输入电压 Input Voltage	AC100-277V				
总谐波失真 THD	THD<15%				
净重 N.G.	3.4	4.0	4.4	4.6	6.4
尺寸 Size(mm)	L519*W210*H70	L565*W250*H70	L589*W280*H75	L589*W280*H75	L674*W300*H80
光束角度 Beam Angle	T3/T4				
安装孔 Mounting Hole(mm)	Ø65				
工作温度 Work Temp	-40~+60°C				
LED结温度 LED Junction Temp	≤80°C				
湿度 Humidity	15%~90% RH, 相对湿度, 无冷凝 no condensing				
外部 Surface	粉末喷涂 Sprayed with outdoor special powder				
使用寿命 Life Span	≥50,000 Hour (LM70@35°C)				
浪涌保护 Anti-surating	6KV				
防护等级 IP Grade	IP66				
防撞等级 IK Grade	IK08				
产品材料 Product Material					
电源线 Power Wire	外壳材质 Body Material		电子安全等级 Electronic Security Level		
电缆 Cable(3*1mm ²) L=0.5m	铝 Aluminum Housing+PC		Class I		

LED路灯-P/LED Street Light-P



产品特点 Product Features

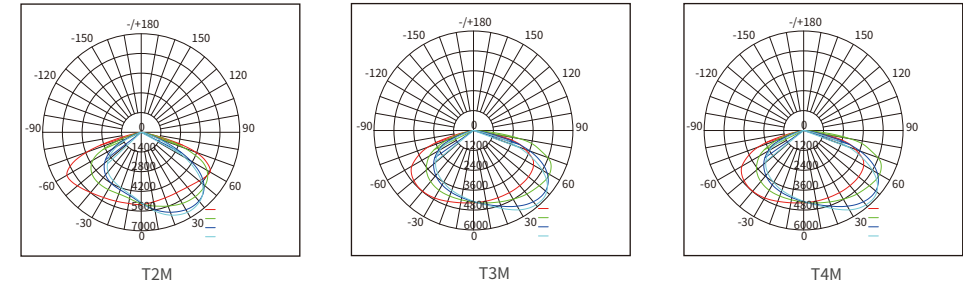
- 采用国际一线大品牌灯珠三安/Lumileds/Osram, 光衰低, 高显指, 光效, 高达130LM/W;
- 免工具维护卡扣设计, 无需工具即可打开进行检修维护;
- 一体化IP66防水设计, 表面喷涂户外专用粉末, 防水防尘, 不生锈;
- 采用橡胶线材, 耐高低温, 可定制线材加装插头;
- Adopting large brand lamp beads of San'an/Lumileds/Osram, with low light attenuation, high CRI, and light efficiency, up to 130LM/W.
- The buckle design allows for easy access for maintenance and repair without the need for tools.
- Integrated IP66 waterproof design, surface sprayed with outdoor specialized powder, waterproof and dustproof.
- Using rubber wire, which is resistant to high and low temperatures customizable wire and plug installation.

应用范围 Application scope

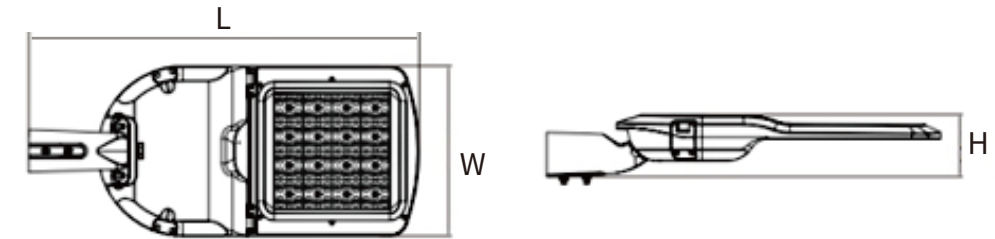
广泛应用于主干道路、高速公路、市区街道、桥梁、人行过道等道路照明, 以及广场、学校、住宅区、工业区、公园等其他需要户外照明的场所。

Widely used for lighting on main roads, highways, urban streets, bridges, pedestrian walkways, and other places that require outdoor lighting such as squares, schools, residential areas, industrial areas, parks, etc.

光束角度 Light Distribution Curves



产品尺寸 Size



产品参数 Specifications



	50W	100W	150W	200W	300W
功率 Power	50W	100W	150W	200W	300W
总流明 Lumen	6500lm	13000lm	19500lm	26000lm	39000lm
光效 Efficacy	130lm/W				
色温 CCT	2700-6500K				
LED	三安San'an/Lumileds/Osram 3030/5050				
显指 CRI	≥80Ra				
功率因素 PF	>0.97				
输入电压 Input Voltage	AC100-277V				
总谐波失真 THD	THD<15%				
净重 N.G.	3.7	4.8	5.6	6.2	7.8
尺寸 Size(mm)	L568*W200 *H109mm	L613*W240 *H109mm	L683*W260 *H109mm	L693*W300 *H109mm	L793*W300 *H109mm
光束角度 Beam Angle	T2M/T3M/T4M				
安装孔 Mounting Hole(mm)	Ø40/Ø50/Ø60				
工作温度 Work Temp	-40~+60°C				
工作温度 Work Temp	≤80°C				
湿度 Humidity	15%~90% RH, 相对湿度, 无冷凝 no condensing				
外部 Surface	粉末喷涂 Sprayed with outdoor special powder				
使用寿命 Life Span	≥50,000 Hrs (LM70@35°C)				
涌浪保护 Anti-surating	6KV				
防护等级 IP Grade	IP66				
防撞等级 IK Grade	IK08				
产品材料 Product Material					
电源线 Power Wire	产品材料 Product Material		电子安全等级 Electronic Security Level		
电缆 Cable(3*1mm²) L=0.5m	铝+PC+玻璃 Aluminum+PC+Glass		Class I		

LED太阳能路灯-A/LED Solar Street Light-A



180
Lm/w

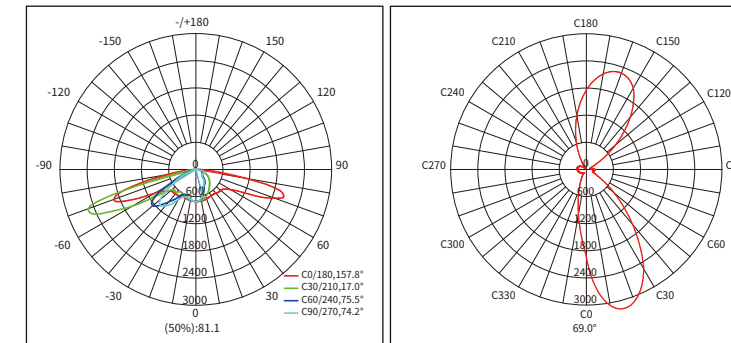
产品特点 Product Features

- 光束角为80°155°, 照明范围广。
- 整灯可30°可调。
- 遥控距离可达15米。
- 内置大容量LifePO4电池。
- 进口高效单晶硅。
- Beam angle is 80°155°, wide lighting area.
- Whole lamp can be 30° adjustable.
- Remote control distance up to 15 meters.
- Built-in large capacity LifePO4 battery.
- Imported high-efficiency monocrystalline silicon.

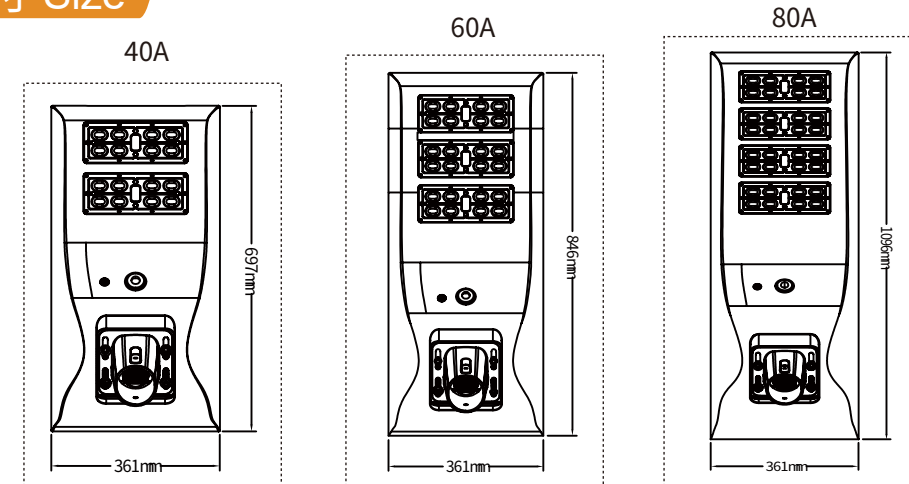
应用范围 Application scope

广泛应用于主干道、高速公路、市区街道、桥梁、人行过道等道路照明，以及广场、学校、住宅区、工业区、公园等其他需要户外照明的场所。
Widely used for lighting on main roads, highways, urban streets, bridges, pedestrian walkways, and other places that require outdoor lighting such as squares, schools, residential areas, industrial areas, parks, etc.

光束角度 Light Distribution Curves



产品尺寸 Size



产品参数 Specifications



	40-A	60-A	80-A
单晶太阳能板 Mono solar panel	18V 37W	18V 44W	18V 57W
电池容量 Battery capacity	12.8V 12AH	12.8V 18AH	12.8V 24AH
色温 CCT	2700K-6500K		
光效 Efficacy	180LM/W		
充电时间 Charging Time	在充足的阳光下6~8小时 6~8 hours by bright sunligh		
工作时间 Working Time	12-15小时(5-7个雨天) 12-15 hours (5-7 rainy days)		
控制方式 Control Mode	时间控制+微波感应/红外线感应 Time control + Microwave induction or Infrared induction		
防水等级 IP Rating	IP66		
安装高度 Mounting Height	4-6m	5-7m	6-8m
安装距离 Installation Distance	10-20m	15-25m	20-30m
安装孔 Mounting hole	φ78mm		
质保时间 Warranty	3年/3 years		
产品尺寸 Size(mm)	697*361*209	846*361*209	1096*361*209
净重(公斤) K.G.	7.7	9.5	11.7

LED防爆灯/LED Explosion-Proof Light



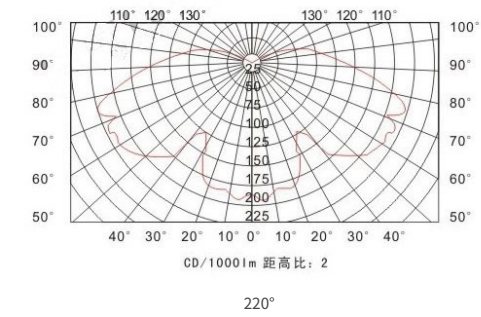
产品特点 Product Features

- ▶ 高强度铝合金外壳，防水防爆不易腐蚀，使用寿命长，光效高达130LM/W;
- ▶ 加厚材质，多片式设计散热快，保持光源长时间使用;
- ▶ 运用先进的光学和照明原理优化设计透明件，光线柔和，照度均匀，无眩光;
- ▶ 外壳采用轻质铝合金压铸成型，表面采用高压静电喷塑处理;
- ▶ High strength aluminum alloy shell, waterproof and explosion-proof, not easy to corrode, with a long service life and a light efficiency of up to 130LM/W;
- ▶ Thickened material, multi panel design for fast heat dissipation, keeping the light source in use for a long time;
- ▶ Designed using advanced optics and lighting principles, the light is soft, the illumination is uniform, and there is no glare;
- ▶ The outer shell is made of aluminum alloy die-casting, and the surface is treated with high-pressure electrostatic spray molding;

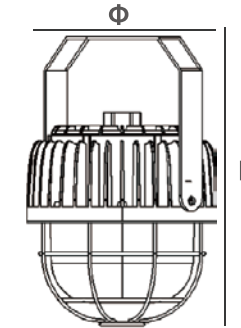
应用范围 Application scope

适用于防护要求高、潮湿的场所&爆炸气体环境的1区、2区场所&1A、1B、IIC类爆炸性气体环境和T1-T6温度组别
Suitable for Zone 1 and Zone 2 locations with high protection requirements, humid environments, and explosive gas environments, as well as Class 1A, 1B, and IIC explosive gas environments and T1-T6 temperature groups

光束角度 Light Distribution Curves



产品尺寸 Size



产品参数 Specifications



	40W	60W	80W	120W
功率 Power	40W	60W	80W	120W
总流明 Lumen	5200lm	7800lm	10400lm	15600lm
净重 N.G.	3.2	3.5	4.2	4.5
尺寸 Size(mm)	φ 150*H280	φ 150*H280	φ 190*H300	φ 190*H300
光效 Efficacy	130lm/W			
色温 CCT	2700-6500K			
显指 CRI	≥80Ra			
LED	三安San'an/SMD 3030			
功率因素 PF	>0.95			
输入电压 Input voltage	AC100-277V			
总谐波失真 THD	15%<THD<20%			
光束角度 Beam Angle	220°			
工作温度 Work Temp	-40~+60°C			
LED结温度 LED Junction Temp	≤80°C			
湿度 Humidity	25%~90% RH, 相对湿度, 无冷凝 no condensing			
使用寿命 Life span	>50000H			
防护等级 IP Grade	IP65			
防撞等级 IK Grade	IK08			
外壳材质 Body material				
电源线 Power Wire	产品材料 Product Material	电子安全等级 Electronic security level		
电缆 Cable(3*1mm ²) L=0.5m	铝+玻璃 Aluminum+Glass	Class I		